

Purpose:

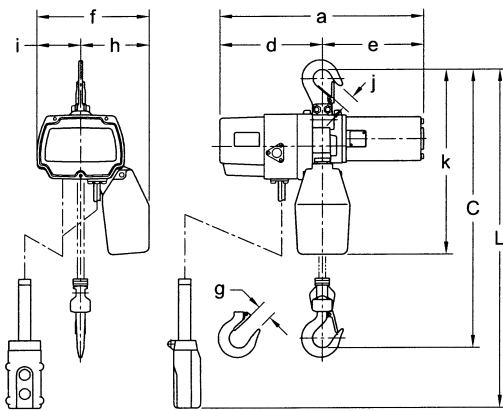
To provide dimension and specification information for the EDII S, DS and DA model electric chain hoist.

Specifications:

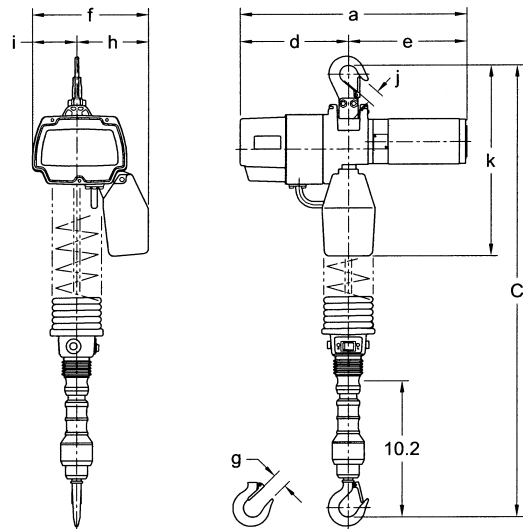
Cap. (lbs)	Product Code			Lifting Speed (ft/min)		Standard Lift (ft)		Push Button Cord L (ft)		Motor Output (HP)	Intermittent Duty Rating		Short Time Duty Rating (min)	Rated Current at 120V (amps)
	Single Speed S Model	Dual Speed DS Model	Dual Adjustable DA Model	S Model	DS & DA Model	S & DS Model	DA Model	S & DS Model	DA Model		Duty Rating % ED	Max. Start Freq. (Times/Hr)		
125	ED125S	ED125DS	ED125DA	69	69/13	10	6	8	Coiled	0.4	30	180	15	5
220	ED220S	ED220DS	ED220DA	43	43/10						20	120	10	6
250	ED250S	ED250DS	ED250DA	26	26/10						30	180	20	10
350	ED350S	ED350DS	ED350DA	66	66/13						20	120	10	6
400	ED400S	ED400DS	ED400DA	26	26/10						30	180	20	10
525	ED525S	ED525DS	ED525DA	44	44/10						20	120	10	6

Dimensions and Weights:

Cap. (lbs)	Headroom C (in)		a (in)	d (in)	e (in)	f (in)	g (in)	h (in)	i (in)	j (in)	k (in)	Net Weight (lbs)			Weight for Additional One Foot of Lift (lbs)	
	S & DS Model	DA Model										S Model	DS Model	DA Model	S Model	DS Model
125	11.8	36.4	14.6	7.4	7.2	8.1	1.0	4.9	3.1	1.0	13.4	23	24	29	0.26	0.29
220												24	25	30		
250												24	25	30		
350	12.8	37.6	16.9	8.1	8.8	8.6	5.3	3.3	14.3	33	34	41	0.26	0.29		
400	11.8	36.4	14.6	7.4	7.2	8.1	4.9	3.1	13.4	24	25	30	0.26	0.29		
525	12.8	37.6	16.9	8.1	8.8	8.6	5.3	3.3	14.3	33	34	41	0.26	0.29		

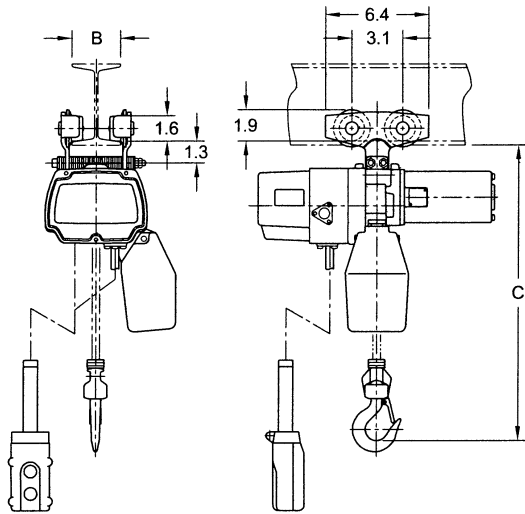


S and DS Models



DA Model

ET525 Mini Trolley – Specifications and Dimensions



Maximum Capacity (lbs)	Product Code	Adjustable Beam Width B (in)	Min. Radius for Curve (in)	Net Weight (lbs)	Approx. Shpg. Weight (lbs)
525	ET525	1.97 – 3.94	23.6	4.0	5.0

Cap. (lbs)	Headroom C (in)	
	S & DS Model	DA Model
125	9.9	34.5
220		
250		
350	10.9	35.7
400	9.9	34.5
525	10.9	35.7