



ER Cylinder Control Electric Chain Hoist
Model ER1A
Specifications and Dimensions

Purpose:

To provide dimension and specification information for hook mount, single and dual speed cylinder control ER model electric chain hoist.

Imperial Single Speed Specifications:

Cap. (Tons)	Product Code	Standard Lift (ft)	Lifting Speed (ft/min)	Lifting Motor 3 Phase 60 Hz			Load Chain Diameter (mm) x Chain Fall Lines	Net Weight (lbs)
				Output (Hp)	Rated Current (amps)			
					@208 - 230V	@460V		
1/8	(N)ER001HCC	6	57	0.75	4.2	2.1	5.0 x 1	68
1/4	(N)ER003SCC	6	39	0.75	4.2	2.1	5.0 x 1	68

Imperial Single Speed Dimensions:

Cap. (Tons)	Product Code	Headroom C (in)	D (in)	a (in)	b (in)	d (in)	e (in)	f (in)	g (in)	h (in)	i (in)
1/8	(N)ER001HCC	40.6	17.7	21.1	13.0	10.4	10.7	10.4	1.0	4.0	3.9
1/4	(N)ER003SCC	40.6	17.7	21.1	13.0	10.4	10.7	10.4	1.0	4.0	3.9

Metric Single Speed Specifications:

Cap. (Tons)	Product Code	Standard Lift (m)	Lifting Speed (m/min)	Lifting Motor 3 Phase 60 Hz			Load Chain Diameter (mm) x Chain Fall Lines	Net Weight (kg)
				Output (kW)	Rated Current (amps)			
					@208 - 230V	@460V		
1/8	(N)ER001HCC	1.8	17.0	0.56	4.2	2.1	5.0 x 1	31
1/4	(N)ER003SCC	1.8	11.6	0.56	4.2	2.1	5.0 x 1	31

Metric Single Speed Dimensions:

Cap. (Tons)	Product Code	Headroom C (mm)	D (mm)	a (mm)	b (mm)	d (mm)	e (mm)	f (mm)	g (mm)	h (mm)	i (mm)
1/8	(N)ER001HCC	1030	450	535	330	264	271	263	24	102	98
1/4	(N)ER003SCC	1030	450	535	330	264	271	263	24	102	98

Imperial Dual Speed Specifications:

Cap. (Tons)	Product Code	Standard Lift (ft)	Lifting Speed (ft/min)	Lifting Motor 3 Phase 60 Hz			Load Chain Diameter (mm) X Chain Fall Lines	Net Weight (lbs)
				Output (Hp)	Rated Current (amps)			
					@208V - 230V	@460V		
1/8	(N)ER001HDCC	6	58/19	0.6/0.2	2.9/2.4	1.5/1.2	5.0 X 1	79
1/4	(N)ER003SDCC	6	29/10	0.6/0.2	2.9/2.4	1.5/1.2	5.0 X 1	79

Imperial Dual Speed Dimensions:

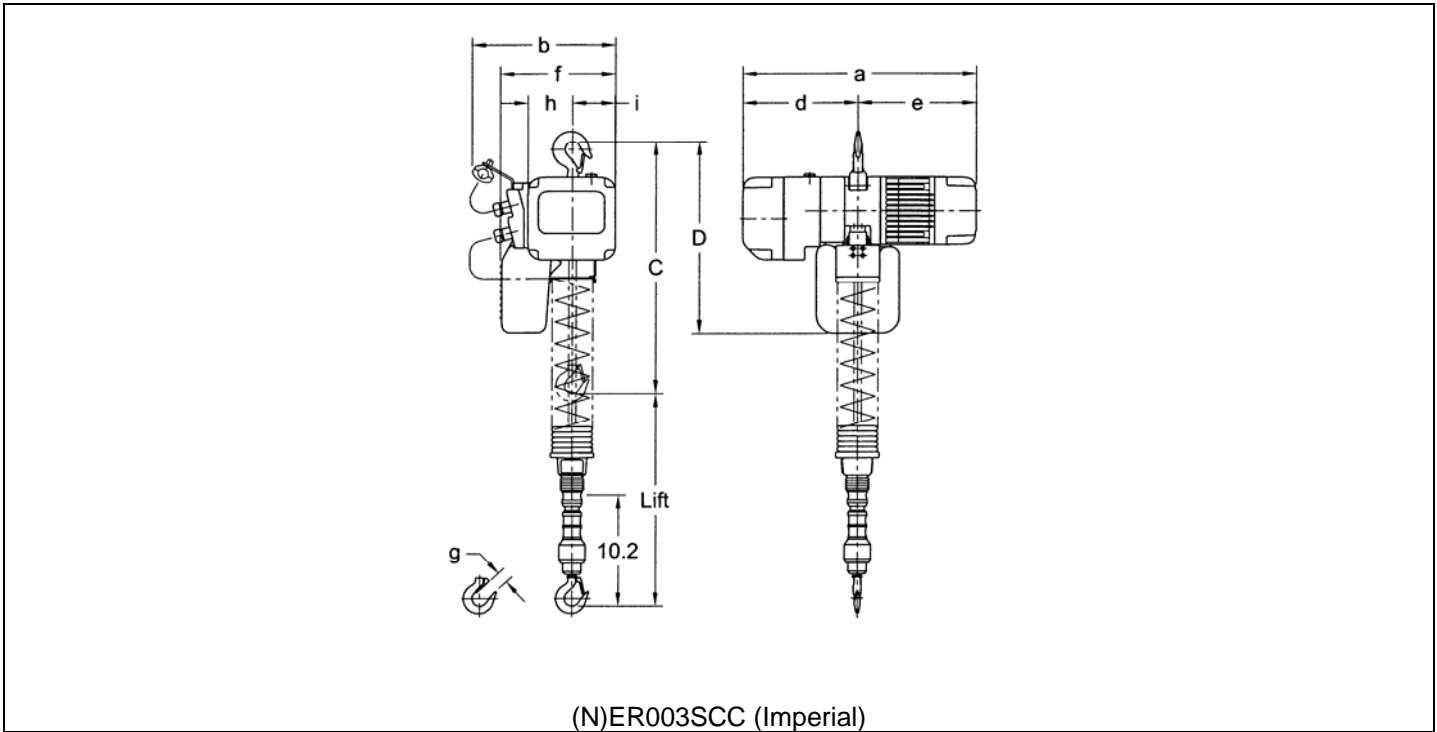
Cap. (Tons)	Product Code	Headroom C (in)	D (in)	a (in)	b (in)	d (in)	e (in)	f (in)	g (in)	h (in)	i (in)
1/8	(N)ER001HDCC	40.6	17.7	22.2	13.0	10.4	11.9	10.4	1.0	4.0	3.9
1/4	(N)ER003SDCC	40.6	17.7	22.2	13.0	10.4	11.9	10.4	1.0	4.0	3.9

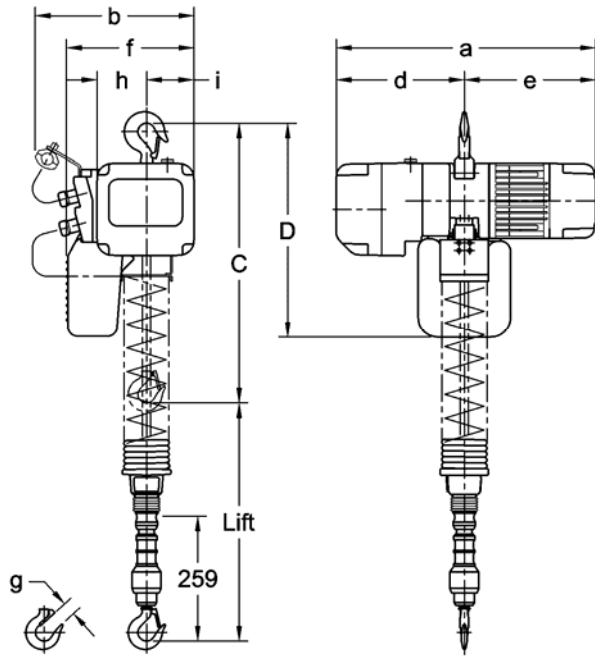
Metric Dual Speed Specifications:

Cap. (Tons)	Product Code	Standard Lift (m)	Lifting Speed (m/min)	Lifting Motor 3 Phase 60 Hz			Load Chain Diameter (mm) X Chain Fall Lines	Net Weight (kg)
				Output (kW)	Rated Current (amps)			
					@208V - 230V	@460V		
1/8	(N)ER001HDCC	1.8	17.4/5.8	0.45/0.15	2.9/2.4	1.5/1.2	5.0 X 1	36
1/4	(N)ER003SDCC	1.8	8.6/2.9	0.45/0.15	2.9/2.4	1.5/1.2	5.0 X 1	36

Metric Dual Speed Dimensions:

Cap. (Tons)	Product Code	Headroom C (mm)	D (mm)	a (mm)	b (mm)	d (mm)	e (mm)	f (mm)	g (mm)	h (mm)	i (mm)
1/8	(N)ER001HDCC	1030	450	565	330	264	301	263	24	102	98
1/4	(N)ER003SDCC	1030	450	565	330	264	301	263	24	102	98





(N)ER003SCC (Metric)