



ERM Electric Chain Hoist with Motorized Trolley

Models ER1A and MR1A

Specifications and Dimensions

Purpose:

To provide dimension and specification information for single and dual speed ER model electric chain hoist equipped with single or dual speed MR motorized trolley.

Imperial Specifications – Single Speed Hoist with Single Speed Trolley:

Cap. (Tons)	Product Code	Standard Lift (ft)	Push Button Cord L (ft)	Lifting Speed (ft/min)	Traversing Speed (ft/min)	Lifting Motor 3 Phase 60 Hz			Traversing Motor 3 Phase 60 Hz			Flange Width Adjustability B (in)		Minimum Allow. Radius for curve (in)	Load Chain Diameter (mm) x Chain Fall Lines	Net Weight (lbs)	Weight for Additional One Foot of Lift (lbs)
						Output (Hp)	Rated Current (amps)		Output (Hp)	Rated Current (amps)		Standard	Optional				
							@208 - 230V	@460V		@208 - 230V	@460V						
1/8	(N)ERM001H-L/S	10	7.5	57	L = 40 S = 80	0.75	4.2	2.1	0.5	3.2	1.6	2.28 to 5.00	5.01 to 6.02 OR 6.03 to 12.00	31.5	5.0 x 1	137	0.37
1/4	(N)ERM003S-L/S			39		0.75	4.2	2.1	0.5	3.2	1.6				5.0 x 1	137	0.37
1/4	(N)ERM003H-L/S			60		1.2	5.7	2.9	0.5	3.2	1.6				6.3 x 1	152	0.57
1/2	(N)ERM005L-L/S			15		0.75	4.2	2.1	0.5	3.2	1.6				6.3 x 1	139	0.57
1/2	(N)ERM005S-L/S			30		1.2	5.7	2.9	0.5	3.2	1.6				6.3 x 1	152	0.57
1	(N)ERM010L-L/S			16		1.2	5.7	2.9	0.5	3.2	1.6				8.0 x 1	159	0.93
1	NERM010M-L/S			24		1.9	7.3	3.7	0.5	3.2	1.6				8.0 x 1	179	0.93
1	(N)ERM010S-L/S			29		2.4	10.5	5.3	0.5	3.2	1.6				8.0 x 1	203	0.93
1 1/2	(N)ERM015S-L/S			20		2.4	10.5	5.3	0.5	3.2	1.6				10.0 x 1	238	1.5
2	(N)ERM020L-L/S			14		2.4	10.5	5.3	0.5	3.2	1.6	10.0 x 1	240	1.5			
2	NERM020M-L/S			24		3.8	14.9	7.5	0.5	3.2	1.6	10.0 x 1	267	1.5			
2	(N)ERM020S-L/S			28		4.7	18.3	9.2	0.5	3.2	1.6	10.0 x 1	326	1.5			
2 1/2	(N)ERM025S-L/S			23		4.7	18.3	9.2	0.5	3.2	1.6	3.23 to 6.02	6.03 to 7.02 OR 7.03 to 12.00	39.4	11.2 x 1	353	1.9
3	NERM030C-L/S			12		3.8	14.9	7.5	0.5	3.2	1.6				10.0 x 2	317	3.1
3	(N)ERM030L-L/S			16		4.7	18.3	9.2	0.5	3.2	1.6				12.5 x 1	362	2.3
3	(N)ERM030S-L/S			22		6.2	25.1	12.6	0.5	3.2	1.6				12.5 x 1	375	2.3
5	(N)ERM050L-L/S			12		4.7	18.3	9.2	1.0	5.1	2.5	3.94 to 7.01	7.02 to 7.60 OR 7.61 to 12.00	70.9	11.2 x 2	461	4.0

Imperial Dimensions – Single Speed Hoist with Single Speed Trolley:

Cap. (Tons)	Product Code	Headroom C (in)	b (in)	b' (in)	d (in)	e (in)	e' (in)	g (in)	i (in)	j (in)	k (in)	m (in)	n (in)	r (in)	t (in)	u (in)
1/8	(N)ERM001H-L/S	14.6	12.4	15.6	8.7	20.3	7.0	0.9	3.74	0.9	5.1	8.0	4.3	2.0	1.22	3.2
1/4	(N)ERM003S-L/S	14.6	12.4	15.6	8.7	20.3	7.0	0.9	3.74	0.9	5.1	8.0	4.3	2.0	1.22	3.2
1/4	(N)ERM003H-L/S	15.4	12.4	15.6	8.7	20.3	7.0	0.9	3.74	0.9	5.1	8.0	4.3	2.0	1.22	3.2
1/2	(N)ERM005L-L/S	14.6	12.4	15.6	8.7	20.3	7.0	0.9	3.74	0.9	5.1	8.0	4.3	2.0	1.22	3.2
1/2	(N)ERM005S-L/S	15.4	12.4	15.6	8.7	20.3	7.0	0.9	3.74	0.9	5.1	8.0	4.3	2.0	1.22	3.2
1	(N)ERM010L-L/S	16.5	12.4	15.6	8.7	20.3	7.0	1.2	3.74	0.9	5.1	8.0	4.3	2.0	1.22	3.2
1	NERM010M-L/S	16.5	12.4	15.6	8.7	20.3	7.0	1.2	3.74	0.9	5.1	8.0	4.3	2.0	1.22	3.2
1	(N)ERM010S-L/S	17.7	12.4	15.6	8.7	20.3	7.0	1.2	3.74	0.9	5.1	8.0	4.3	2.0	1.22	3.2
1 1/2	(N)ERM015S-L/S	19.5	12.8	16.4	8.9	20.5	7.2	1.3	4.33	1.1	4.9	8.3	4.6	2.4	1.42	3.0
2	(N)ERM020L-L/S	21.7	12.8	16.4	8.9	20.5	7.2	1.5	4.33	1.1	4.9	8.3	4.6	2.4	1.42	3.0
2	NERM020M-L/S	21.7	12.8	16.4	8.9	20.5	7.2	1.5	4.33	1.1	4.9	8.3	4.6	2.4	1.42	3.0
2	(N)ERM020S-L/S	23.6	12.8	16.4	8.9	20.5	7.2	1.5	4.33	1.1	4.9	8.3	4.6	2.4	1.42	3.0
2 1/2	(N)ERM025S-L/S	24.2	13.4	17.4	8.9	20.5	7.3	1.6	4.92	1.1	5.2	8.5	5.2	2.7	1.69	2.7
3	NERM030C-L/S	28.9	13.4	17.4	8.9	20.5	7.3	1.7	4.92	1.1	5.2	8.5	5.2	2.7	1.69	2.7
3	(N)ERM030L-L/S	25.4	13.4	17.4	8.9	20.5	7.3	1.7	4.92	1.1	5.2	8.5	5.2	2.7	1.69	2.7
3	(N)ERM030S-L/S	25.4	13.4	17.4	8.9	20.5	7.3	1.7	4.92	1.1	5.2	8.5	5.2	2.7	1.69	2.7
5	(N)ERM050L-L/S	32.7	15.7	19.8	11.1	20.8	7.6	1.8	5.51	1.7	5.7	9.2	5.9	3.4	2.13	1.5

Metric Specifications – Single Speed Hoist with Single Speed Trolley:

Cap. (Tons)	Product Code	Standard Lift (m)	Push Button Cord L (m)	Lifting Speed (m/min)	Traversing Speed (m/min)	Lifting Motor 3 Phase 60 Hz			Traversing Motor 3 Phase 60 Hz			Flange Width Adjustability B (mm)		Minimum Allow. Radius for curve (mm)	Load Chain Diameter (mm) x Chain Fall Lines	Net Weight (kg)	Weight for Additional One Meter of Lift (kg)			
						Output (kW)	Rated Current (amps)		Output (kW)	Rated Current (amps)		Standard	Optional							
							@208 - 230V	@460V		@208 - 230V	@460V									
1/8	(N)ERM001H-L/S	3.0	2.3	17.0	L = 12.0 S = 24.0	0.56	4.2	2.1	0.4	3.2	1.6	58 to 127	128 to 153 OR 154 to 305	800	5.0 x 1	62	0.55			
1/4	(N)ERM003S-L/S			11.6		0.56	4.2	2.1	0.4	3.2	1.6				5.0 x 1	62	0.55			
1/4	(N)ERM003H-L/S			17.9		0.9	5.7	2.9	0.4	3.2	1.6				6.3 x 1	69	0.85			
1/2	(N)ERM005L-L/S			4.4		0.56	4.2	2.1	0.4	3.2	1.6				6.3 x 1	63	0.85			
1/2	(N)ERM005S-L/S			9.1		0.9	5.7	2.9	0.4	3.2	1.6				6.3 x 1	69	0.85			
1	(N)ERM010L-L/S			4.7		0.9	5.7	2.9	0.4	3.2	1.6				8.0 x 1	72	1.38			
1	NERM010M-L/S			7.3		1.4	7.3	3.7	0.4	3.2	1.6				8.0 x 1	81	1.38			
1	(N)ERM010S-L/S			8.8		1.8	10.5	5.3	0.4	3.2	1.6				8.0 x 1	92	1.38			
1 1/2	(N)ERM015S-L/S			6.1		1.8	10.5	5.3	0.4	3.2	1.6				10.0 x 1	108	2.3			
2	(N)ERM020L-L/S			4.3		1.8	10.5	5.3	0.4	3.2	1.6	10.0 x 1	109	2.3						
2	NERM020M-L/S			7.2		2.8	14.9	7.5	0.4	3.2	1.6	10.0 x 1	121	2.3						
2	(N)ERM020S-L/S			8.5		3.5	18.3	9.2	0.4	3.2	1.6	10.0 x 1	148	2.3						
2 1/2	(N)ERM025S-L/S			6.9		3.5	18.3	9.2	0.4	3.2	1.6	82 to 153	154 to 178 OR 179 to 305	1000	11.2 x 1	160	2.9			
3	NERM030C-L/S			3.6		2.8	14.9	7.5	0.4	3.2	1.6				10.0 x 2	144	4.6			
3	(N)ERM030L-L/S			4.9		3.5	18.3	9.2	0.4	3.2	1.6				12.5 x 1	164	3.4			
3	(N)ERM030S-L/S			6.7		4.6	25.1	12.6	0.4	3.2	1.6				12.5 x 1	170	3.4			
5	(N)ERM050L-L/S					3.5			3.5	18.3	9.2	1.0	5.1	2.5	100 to 178	179 to 193 OR 194 to 305	1800	11.2 x 2	209	5.9

Metric Dimensions – Single Speed Hoist with Single Speed Trolley:

Cap. (Tons)	Product Code	Headroom C (mm)	b (mm)	b' (mm)	d (mm)	e (mm)	e' (mm)	g (mm)	i (mm)	j (mm)	k (mm)	m (mm)	n (mm)	r (mm)	t (mm)	u (mm)
1/8	(N)ERM001H-L/S	370	315	397	220	515	179	24	95	24	130	204	109	51	31	82
1/4	(N)ERM003S-L/S	370	315	397	220	515	179	24	95	24	130	204	109	51	31	82
1/4	(N)ERM003H-L/S	390	315	397	220	515	179	24	95	24	130	204	109	51	31	82
1/2	(N)ERM005L-L/S	370	315	397	220	515	179	24	95	24	130	204	109	51	31	82
1/2	(N)ERM005S-L/S	390	315	397	220	515	179	24	95	24	130	204	109	51	31	82
1	(N)ERM010L-L/S	420	315	397	220	515	179	31	95	24	130	204	109	51	31	82
1	NERM010M-L/S	420	315	397	220	515	179	31	95	24	130	204	109	51	31	82
1	(N)ERM010S-L/S	450	315	397	220	515	179	31	95	24	130	204	109	51	31	82
1 1/2	(N)ERM015S-L/S	495	325	417	225	520	184	34	110	29	125	212	118	60	36	77
2	(N)ERM020L-L/S	550	325	417	225	520	184	37	110	29	125	212	118	60	36	77
2	NERM020M-L/S	550	325	417	225	520	184	37	110	29	125	212	118	60	36	77
2	(N)ERM020S-L/S	600	325	417	225	520	184	37	110	29	125	212	118	60	36	77
2 1/2	(N)ERM025S-L/S	615	340	442	226	521	185	40	125	29	131	215	132	68	43	69
3	NERM030C-L/S	735	340	442	226	521	185	44	125	29	131	215	132	68	43	69
3	(N)ERM030L-L/S	645	340	442	226	521	185	44	125	29	131	215	132	68	43	69
3	(N)ERM030S-L/S	645	340	442	226	521	185	44	125	29	131	215	132	68	43	69
5	(N)ERM050L-L/S	830	400	502	281	528	192	46	140	44	145	233	150	86	54	39

Imperial Specifications – Dual Speed Hoist with Single Speed Trolley:

Cap. (Tons)	Product Code	Standard Lift (ft)	Push Button Cord L (ft)	Lifting Speed (ft/min)	Traversing Speed (ft/min)	Lifting Motor 3 Phase 60 Hz			Traversing Motor 3 Phase 60 Hz			Flange Width Adjustability B (in)		Minimum Allow. Radius for curve (in)	Load Chain Diameter (mm) x Chain Fall Lines	Net Weight (lbs)	Weight for Additional One Foot of Lift (lbs)
						Output (Hp)	Rated Current (amps)		Output (Hp)	Rated Current (amps)		Standard	Optional				
							@208 - 230V	@460V		@208 - 230V	@460V						
1/8	(N)ERM001HD-L/S	10	7.5	58/19	L = 40 S = 80	0.6/0.2	2.9/2.4	1.5/1.2	0.5	3.2	1.6	2.28 to 5.00	5.01 to 6.02 OR 6.03 to 12.00	31.5	5.0 x 1	148	0.37
1/4	(N)ERM003SD-L/S			29/10		0.6/0.2	2.9/2.4	1.5/1.2	0.5	3.2	1.6				5.0 x 1	148	0.37
1/4	(N)ERM003HD-L/S			60/20		1.2/0.4	5.7/5.1	2.9/2.6	0.5	3.2	1.6				6.3 x 1	170	0.57
1/2	(N)ERM005LD-L/S			14/5		0.6/0.2	2.9/2.4	1.5/1.2	0.5	3.2	1.6				6.3 x 1	152	0.57
1/2	(N)ERM005SD-L/S			30/10		1.2/0.4	5.7/5.1	2.9/2.6	0.5	3.2	1.6				6.3 x 1	170	0.57
1	(N)ERM010LD-L/S			14/5		1.2/0.4	5.7/5.1	2.9/2.6	0.5	3.2	1.6				8.0 x 1	176	0.93
1	(N)ERM010SD-L/S			29/10		2.4/0.8	9.1/5.7	4.6/2.9	0.5	3.2	1.6	8.0 x 1	220	0.93			
1 1/2	(N)ERM015SD-L/S			20/7		2.4/0.8	9.1/5.7	4.6/2.9	0.5	3.2	1.6	10.0 x 1	254	1.5			
2	(N)ERM020LD-L/S			15/5		2.4/0.8	9.1/5.7	4.6/2.9	0.5	3.2	1.6	10.0 x 1	256	1.5			
2	(N)ERM020SD-L/S			29/10		4.7/1.6	19.6/9.4	9.8/4.7	0.5	3.2	1.6	10.0 x 1	373	1.5			
2 1/2	(N)ERM025SD-L/S			23/8		4.7/1.6	19.6/9.4	9.8/4.7	0.5	3.2	1.6	11.2 x 1	399	1.9			
3	(N)ERM030LD-L/S			17/6		4.7/1.6	19.6/9.4	9.8/4.7	0.5	3.2	1.6	12.5 x 1	406	2.3			
3	(N)ERM030SD-L/S			23/8		6.2/2.0	24.1/10.6	12.1/5.3	0.5	3.2	1.6	12.5 x 1	425	2.3			
5	(N)ERM050LD-L/S			12/4		4.7/1.6	19.6/9.4	9.8/4.7	1.0	5.1	2.5	3.94 to 7.01	7.02 to 7.60 OR 7.61 to 12.00	70.9	11.2 x 2	507	4.0

Imperial Dimensions – Dual Speed Hoist with Single Speed Trolley:

Cap. (Tons)	Product Code	Headroom C (in)	b (in)	b' (in)	d (in)	e (in)	e' (in)	g (in)	i (in)	j (in)	k (in)	m (in)	n (in)	r (in)	t (in)	u (in)
1/8	(N)ERM001HD-L/S	14.6	12.4	15.6	8.7	20.3	7.0	0.9	3.74	0.9	5.1	8.0	4.3	2.0	1.22	3.2
1/4	(N)ERM003SD-L/S	14.6	12.4	15.6	8.7	20.3	7.0	0.9	3.74	0.9	5.1	8.0	4.3	2.0	1.22	3.2
1/4	(N)ERM003HD-L/S	15.4	12.4	15.6	8.7	20.3	7.0	0.9	3.74	0.9	5.1	8.0	4.3	2.0	1.22	3.2
1/2	(N)ERM005LD-L/S	14.6	12.4	15.6	8.7	20.3	7.0	0.9	3.74	0.9	5.1	8.0	4.3	2.0	1.22	3.2
1/2	(N)ERM005SD-L/S	15.4	12.4	15.6	8.7	20.3	7.0	0.9	3.74	0.9	5.1	8.0	4.3	2.0	1.22	3.2
1	(N)ERM010LD-L/S	16.5	12.4	15.6	8.7	20.3	7.0	1.2	3.74	0.9	5.1	8.0	4.3	2.0	1.22	3.2
1	(N)ERM010SD-L/S	17.7	12.4	15.6	8.7	20.3	7.0	1.2	3.74	0.9	5.1	8.0	4.3	2.0	1.22	3.2
1 1/2	(N)ERM015SD-L/S	19.5	12.8	16.4	8.9	20.5	7.2	1.3	4.33	1.1	4.9	8.3	4.6	2.4	1.42	3.0
2	(N)ERM020LD-L/S	22.2	12.8	16.4	8.9	20.5	7.2	1.5	4.33	1.1	4.9	8.3	4.6	2.4	1.42	3.0
2	(N)ERM020SD-L/S	26.6	12.8	16.4	8.9	20.5	7.2	1.5	4.33	1.1	4.9	8.3	4.6	2.4	1.42	3.0
2 1/2	(N)ERM025SD-L/S	26.6	13.4	17.4	8.9	20.5	7.3	1.6	4.92	1.1	5.2	8.5	5.2	2.7	1.69	2.7
3	(N)ERM030LD-L/S	28.0	13.4	17.4	8.9	20.5	7.3	1.7	4.92	1.1	5.2	8.5	5.2	2.7	1.69	2.7
3	(N)ERM030SD-L/S	28.0	13.4	17.4	8.9	20.5	7.3	1.7	4.92	1.1	5.2	8.5	5.2	2.7	1.69	2.7
5	(N)ERM050LD-L/S	35.0	15.7	19.8	11.1	20.8	7.6	1.8	5.51	1.7	5.7	9.2	5.9	3.4	2.13	1.5

Metric Specifications – Dual Speed Hoist with Single Speed Trolley:

Cap. (Tons)	Product Code	Standard Lift (m)	Push Button Cord L (m)	Lifting Speed (m/min)	Traversing Speed (m/min)	Lifting Motor 3 Phase 60 Hz			Traversing Motor 3 Phase 60 Hz			Flange Width Adjustability B (mm)		Minimum Allow. Radius for curve (mm)	Load Chain Diameter (mm) x Chain Fall Lines	Net Weight (kg)	Weight for Additional One Meter of Lift (kg)
						Output (kW)	Rated Current (amps)		Output (kW)	Rated Current (amps)		Standard	Optional				
							@208 - 230V	@460V		@208 - 230V	@460V						
1/8	(N)ERM001HD-L/S	3.0	2.3	17.4/5.8	L = 12.0 S = 24.0	0.45/0.15	2.9/2.4	1.5/1.2	0.4	3.2	1.6	58 to 127	128 to 153 OR 154 to 305	800	5.0 x 1	67	0.55
1/4	(N)ERM003SD-L/S			8.6/2.9		0.45/0.15	2.9/2.4	1.5/1.2	0.4	3.2	1.6				5.0 x 1	67	0.55
1/4	(N)ERM003HD-L/S			18.1/6.0		0.9/0.3	5.7/5.1	2.9/2.6	0.4	3.2	1.6				6.3 x 1	77	0.85
1/2	(N)ERM005LD-L/S			4.3/1.4		0.45/0.15	2.9/2.4	1.5/1.2	0.4	3.2	1.6				6.3 x 1	69	0.85
1/2	(N)ERM005SD-L/S			9.1/3.0		0.9/0.3	5.7/5.1	2.9/2.6	0.4	3.2	1.6				6.3 x 1	77	0.85
1	(N)ERM010LD-L/S			4.3/1.4		0.9/0.3	5.7/5.1	2.9/2.6	0.4	3.2	1.6				8.0 x 1	80	1.38
1	(N)ERM010SD-L/S			8.8/2.9		1.8/0.6	9.1/5.7	4.6/2.9	0.4	3.2	1.6				8.0 x 1	100	1.38
1 1/2	(N)ERM015SD-L/S			6.1/2.0		1.8/0.6	9.1/5.7	4.6/2.9	0.4	3.2	1.6	82 to 153	154 to 178 OR 179 to 305	1000	10.0 x 1	115	2.3
2	(N)ERM020LD-L/S			4.4/1.5		1.8/0.6	9.1/5.7	4.6/2.9	0.4	3.2	1.6				10.0 x 1	116	2.3
2	(N)ERM020SD-L/S			8.6/2.9		3.5/1.2	19.6/9.4	9.8/4.7	0.4	3.2	1.6				10.0 x 1	169	2.3
2 1/2	(N)ERM025SD-L/S			6.9/2.3		3.5/1.2	19.6/9.4	9.8/4.7	0.4	3.2	1.6				11.2 x 1	181	2.9
3	(N)ERM030LD-L/S			5.0/1.7		3.5/1.2	19.6/9.4	9.8/4.7	0.4	3.2	1.6				12.5 x 1	184	3.4
3	(N)ERM030SD-L/S			7.0/2.3		4.6/1.5	24.1/10.6	12.1/5.3	0.4	3.2	1.6				12.5 x 1	193	3.4
5	(N)ERM050LD-L/S			3.5/1.2		3.5/1.2	19.6/9.4	9.8/4.7	0.75	5.1	2.5				100 to 178	179 to 193 OR 194 to 305	1800

Metric Dimensions – Dual Speed Hoist with Single Speed Trolley:

Cap. (Tons)	Product Code	Headroom C (mm)	b (mm)	b' (mm)	d (mm)	e (mm)	e' (mm)	g (mm)	i (mm)	j (mm)	k (mm)	m (mm)	n (mm)	r (mm)	t (mm)	u (mm)
1/8	(N)ERM001HD-L/S	370	315	397	220	515	179	24	95	24	130	204	109	51	31	82
1/4	(N)ERM003SD-L/S	370	315	397	220	515	179	24	95	24	130	204	109	51	31	82
1/4	(N)ERM003HD-L/S	390	315	397	220	515	179	24	95	24	130	204	109	51	31	82
1/2	(N)ERM005LD-L/S	370	315	397	220	515	179	24	95	24	130	204	109	51	31	82
1/2	(N)ERM005SD-L/S	390	315	397	220	515	179	24	95	24	130	204	109	51	31	82
1	(N)ERM010LD-L/S	420	315	397	220	515	179	31	95	24	130	204	109	51	31	82
1	(N)ERM010SD-L/S	450	315	397	220	515	179	31	95	24	130	204	109	51	31	82
1 1/2	(N)ERM015SD-L/S	495	325	417	225	520	184	34	110	29	125	212	118	60	36	77
2	(N)ERM020LD-L/S	565	325	417	225	520	184	37	110	29	125	212	118	60	36	77
2	(N)ERM020SD-L/S	675	325	417	225	520	184	37	110	29	125	212	118	60	36	77
2 1/2	(N)ERM025SD-L/S	675	340	442	226	521	185	40	125	29	131	215	132	68	43	69
3	(N)ERM030LD-L/S	710	340	442	226	521	185	44	125	29	131	215	132	68	43	69
3	(N)ERM030SD-L/S	710	340	442	226	521	185	44	125	29	131	215	132	68	43	69
5	(N)ERM050LD-L/S	890	400	502	281	528	192	46	140	44	145	233	150	86	54	39

Imperial Specifications – Dual Speed Hoist with Dual Speed Trolley:

Cap. (Tons)	Product Code	Standard Lift (ft)	Push Button Cord L (ft)	Lifting Speed (ft/min)	Traversing Speed (ft/min)	Lifting Motor 3 Phase 60 Hz			Traversing Motor 3 Phase 60 Hz			Flange Width Adjustability B (in)		Minimum Allow. Radius for curve (in)	Load Chain Diameter (mm) x Chain Fall Lines	Net Weight (lbs)	Weight for Additional One Foot of Lift (lbs)
						Output (Hp)	Rated Current (amps)		Output (Hp)	Rated Current (amps)		Standard	Optional				
							@208 - 230V	@460V		@208 - 230V	@460V						
1/8	(N)ERM001HD-SD	10	7.5	58/19	80/20	0.6/0.2	2.9/2.4	1.5/1.2	0.4/0.1	2.9/2.2	1.5/1.1	2.28 to 5.00	5.01 to 6.02 OR 6.03 to 12.00	31.5	5.0 x 1	157	0.37
1/4	(N)ERM003SD-SD			29/10		0.6/0.2	2.9/2.4	1.5/1.2	0.4/0.1	2.9/2.2	1.5/1.1				5.0 x 1	157	0.37
1/4	(N)ERM003HD-SD			60/20		1.2/0.4	5.7/5.1	2.9/2.6	0.4/0.1	2.9/2.2	1.5/1.1				6.3 x 1	179	0.57
1/2	(N)ERM005LD-SD			14/5		0.6/0.2	2.9/2.4	1.5/1.2	0.4/0.1	2.9/2.2	1.5/1.1				6.3 x 1	161	0.57
1/2	(N)ERM005SD-SD			30/10		1.2/0.4	5.7/5.1	2.9/2.6	0.4/0.1	2.9/2.2	1.5/1.1				6.3 x 1	179	0.57
1	(N)ERM010LD-SD			14/5		1.2/0.4	5.7/5.1	2.9/2.6	0.4/0.1	2.9/2.2	1.5/1.1				8.0 x 1	185	0.93
1	(N)ERM010SD-SD			29/10		2.4/0.8	9.1/5.7	4.6/2.9	0.4/0.1	2.9/2.2	1.5/1.1	8.0 x 1	229	0.93			
1 1/2	(N)ERM015SD-SD			20/7		2.4/0.8	9.1/5.7	4.6/2.9	0.4/0.1	2.9/2.2	1.5/1.1	10.0 x 1	262	1.5			
2	(N)ERM020LD-SD			15/5		2.4/0.8	9.1/5.7	4.6/2.9	0.4/0.1	2.9/2.2	1.5/1.1	10.0 x 1	264	1.5			
2	(N)ERM020SD-SD			29/10		4.7/1.6	19.6/9.4	9.8/4.7	0.4/0.1	2.9/2.2	1.5/1.1	10.0 x 1	381	1.5			
2 1/2	(N)ERM025SD-SD			23/8		4.7/1.6	19.6/9.4	9.8/4.7	0.9/0.2	3.6/3.1	1.8/1.6	11.2 x 1	406	1.9			
3	(N)ERM030LD-SD			17/6		4.7/1.6	19.6/9.4	9.8/4.7	0.9/0.2	3.6/3.1	1.8/1.6	12.5 x 1	412	2.3			
3	(N)ERM030SD-SD			23/8		6.2/2.0	24.1/10.6	12.1/5.3	0.9/0.2	3.6/3.1	1.8/1.6	12.5 x 1	432	2.3			
5	(N)ERM050LD-SD			12/4		4.7/1.6	19.6/9.4	9.8/4.7	0.9/0.2	3.6/3.1	1.8/1.6	3.94 to 7.01	7.02 to 7.60 OR 7.61 to 12.00	70.9	11.2 x 2	516	4.0

Imperial Dimensions – Dual Speed Hoist with Dual Speed Trolley:

Cap. (Tons)	Product Code	Headroom C (in)	b (in)	b' (in)	d (in)	e (in)	e' (in)	g (in)	i (in)	j (in)	k (in)	m (in)	n (in)	r (in)	t (in)	u (in)
1/8	(N)ERM001HD-SD	14.6	12.4	15.6	10.6	20.3	7.0	0.9	3.74	0.9	5.1	8.0	4.3	2.0	1.22	3.2
1/4	(N)ERM003SD-SD	14.6	12.4	15.6	10.6	20.3	7.0	0.9	3.74	0.9	5.1	8.0	4.3	2.0	1.22	3.2
1/4	(N)ERM003HD-SD	15.4	12.4	15.6	10.6	20.3	7.0	0.9	3.74	0.9	5.1	8.0	4.3	2.0	1.22	3.2
1/2	(N)ERM005LD-SD	14.6	12.4	15.6	10.6	20.3	7.0	0.9	3.74	0.9	5.1	8.0	4.3	2.0	1.22	3.2
1/2	(N)ERM005SD-SD	15.4	12.4	15.6	10.6	20.3	7.0	0.9	3.74	0.9	5.1	8.0	4.3	2.0	1.22	3.2
1	(N)ERM010LD-SD	16.5	12.4	15.6	10.6	20.3	7.0	1.2	3.74	0.9	5.1	8.0	4.3	2.0	1.22	3.2
1	(N)ERM010SD-SD	17.7	12.4	15.6	10.6	20.3	7.0	1.2	3.74	0.9	5.1	8.0	4.3	2.0	1.22	3.2
1 1/2	(N)ERM015SD-SD	19.5	12.8	16.4	10.7	20.5	7.2	1.3	4.33	1.1	4.9	8.3	4.6	2.4	1.42	3.0
2	(N)ERM020LD-SD	22.2	12.8	16.4	10.7	20.5	7.2	1.5	4.33	1.1	4.9	8.3	4.6	2.4	1.42	3.0
2	(N)ERM020SD-SD	26.6	12.8	16.4	10.7	20.5	7.2	1.5	4.33	1.1	4.9	8.3	4.6	2.4	1.42	3.0
2 1/2	(N)ERM025SD-SD	26.6	13.4	17.4	10.8	20.5	7.3	1.6	4.92	1.1	5.2	8.5	5.2	2.7	1.69	2.7
3	(N)ERM030LD-SD	28.0	13.4	17.4	10.8	20.5	7.3	1.7	4.92	1.1	5.2	8.5	5.2	2.7	1.69	2.7
3	(N)ERM030SD-SD	28.0	13.4	17.4	10.8	20.5	7.3	1.7	4.92	1.1	5.2	8.5	5.2	2.7	1.69	2.7
5	(N)ERM050LD-SD	35.0	15.7	19.8	11.1	20.8	7.6	1.8	5.51	1.7	5.7	9.2	5.9	3.4	2.13	1.5

Metric Specifications – Dual Speed Hoist with Dual Speed Trolley:

Cap. (Tons)	Product Code	Standard Lift (m)	Push Button Cord L (m)	Lifting Speed (m/min)	Traversing Speed (m/min)	Lifting Motor 3 Phase 60 Hz			Traversing Motor 3 Phase 60 Hz			Flange Width Adjustability B (mm)		Minimum Allow. Radius for curve (mm)	Load Chain Diameter (mm) x Chain Fall Lines	Net Weight (kg)	Weight for Additional One Meter of Lift (kg)
						Output (kW)	Rated Current (amps)		Output (kW)	Rated Current (amps)		Standard	Optional				
							@208 - 230V	@460V		@208 - 230V	@460V						
1/8	(N)ERM001HD-SD	3.0	2.3	17.4/5.8	24.0/6.0	0.45/0.15	2.9/2.4	1.5/1.2	0.32/0.08	2.9/2.2	1.5/1.1	58 to 127	128 to 153 OR 154 to 305	800	5.0 x 1	71	0.55
1/4	(N)ERM003SD-SD			8.6/2.9		0.45/0.15	2.9/2.4	1.5/1.2	0.32/0.08	2.9/2.2	1.5/1.1				5.0 x 1	71	0.55
1/4	(N)ERM003HD-SD			18.1/6.0		0.9/0.3	5.7/5.1	2.9/2.6	0.32/0.08	2.9/2.2	1.5/1.1				6.3 x 1	81	0.85
1/2	(N)ERM005LD-SD			4.3/1.4		0.45/0.15	2.9/2.4	1.5/1.2	0.32/0.08	2.9/2.2	1.5/1.1				6.3 x 1	73	0.85
1/2	(N)ERM005SD-SD			9.1/3.0		0.9/0.3	5.7/5.1	2.9/2.6	0.32/0.08	2.9/2.2	1.5/1.1				6.3 x 1	81	0.85
1	(N)ERM010LD-SD			4.3/1.4		0.9/0.3	5.7/5.1	2.9/2.6	0.32/0.08	2.9/2.2	1.5/1.1				8.0 x 1	84	1.38
1	(N)ERM010SD-SD			8.8/2.9		1.8/0.6	9.1/5.7	4.6/2.9	0.32/0.08	2.9/2.2	1.5/1.1	8.0 x 1	104	1.38			
1 1/2	(N)ERM015SD-SD			6.1/2.0		1.8/0.6	9.1/5.7	4.6/2.9	0.32/0.08	2.9/2.2	1.5/1.1	10.0 x 1	119	2.3			
2	(N)ERM020LD-SD			4.4/1.5		1.8/0.6	9.1/5.7	4.6/2.9	0.32/0.08	2.9/2.2	1.5/1.1	10.0 x 1	120	2.3			
2	(N)ERM020SD-SD			8.6/2.9		3.5/1.2	19.6/9.4	9.8/4.7	0.32/0.08	2.9/2.2	1.5/1.1	10.0 x 1	173	2.3			
2 1/2	(N)ERM025SD-SD			6.9/2.3		3.5/1.2	19.6/9.4	9.8/4.7	0.64/0.16	3.6/3.1	1.8/1.6	11.2 x 1	184	2.9			
3	(N)ERM030LD-SD			5.0/1.7		3.5/1.2	19.6/9.4	9.8/4.7	0.64/0.16	3.6/3.1	1.8/1.6	12.5 x 1	187	3.4			
3	(N)ERM030SD-SD			7.0/2.3		4.6/1.5	24.1/10.6	12.1/5.3	0.64/0.16	3.6/3.1	1.8/1.6	12.5 x 1	196	3.4			
5	(N)ERM050LD-SD			3.5/1.2		3.5/1.2	19.6/9.4	9.8/4.7	0.64/0.16	3.6/3.1	1.8/1.6	100 to 178	179 to 193 OR 194 to 305	1800	11.2 x 2	234	5.9

Metric Dimensions – Dual Speed Hoist with Dual Speed Trolley:

Cap. (Tons)	Product Code	Headroom C (mm)	b (mm)	b' (mm)	d (mm)	e (mm)	e' (mm)	g (mm)	i (mm)	j (mm)	k (mm)	m (mm)	n (mm)	r (mm)	t (mm)	u (mm)
1/8	(N)ERM001HD-SD	370	315	397	268	515	179	24	95	24	130	204	109	51	31	82
1/4	(N)ERM003SD-SD	370	315	397	268	515	179	24	95	24	130	204	109	51	31	82
1/4	(N)ERM003HD-SD	390	315	397	268	515	179	24	95	24	130	204	109	51	31	82
1/2	(N)ERM005LD-SD	370	315	397	268	515	179	24	95	24	130	204	109	51	31	82
1/2	(N)ERM005SD-SD	390	315	397	268	515	179	24	95	24	130	204	109	51	31	82
1	(N)ERM010LD-SD	420	315	397	268	515	179	31	95	24	130	204	109	51	31	82
1	(N)ERM010SD-SD	450	315	397	268	515	179	31	95	24	130	204	109	51	31	82
1 1/2	(N)ERM015SD-SD	495	325	417	273	520	184	34	110	29	125	212	118	60	36	77
2	(N)ERM020LD-SD	565	325	417	273	520	184	37	110	29	125	212	118	60	36	77
2	(N)ERM020SD-SD	675	325	417	273	520	184	37	110	29	125	212	118	60	36	77
2 1/2	(N)ERM025SD-SD	675	340	442	274	521	185	40	125	29	131	215	132	68	43	69
3	(N)ERM030LD-SD	710	340	442	274	521	185	44	125	29	131	215	132	68	43	69
3	(N)ERM030SD-SD	710	340	442	274	521	185	44	125	29	131	215	132	68	43	69
5	(N)ERM050LD-SD	890	400	502	281	528	192	46	140	44	145	233	150	86	54	39

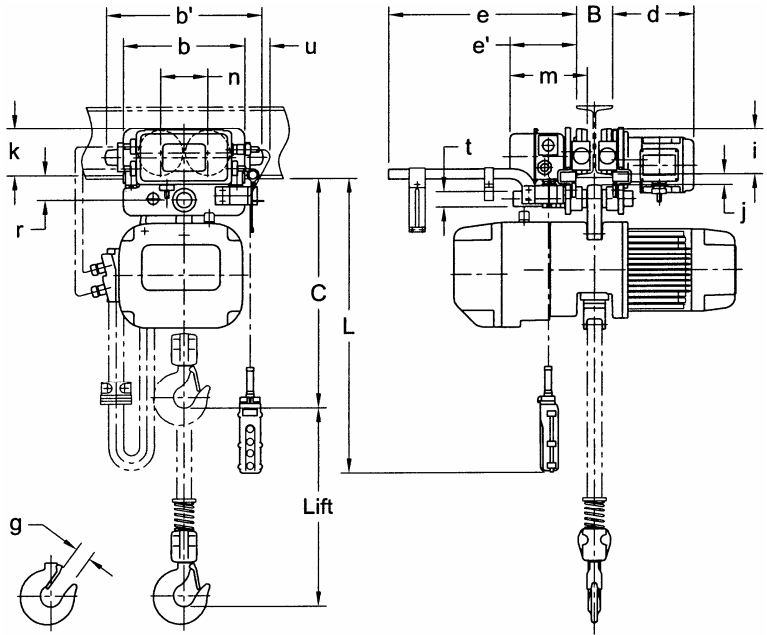


Figure 1 – ER with Motorized, Single and Dual Speed (ERM030L-L)