

Purpose:

To provide auxiliary catalog charts and figure for (N)ER2, (N)ER1, SNER, (N)ER Cylinder Control, SH and ED electric chain hoist.

Imperial (N)ER2 Hook Dimensions:

Product Code	Hook**	a (in)	b (in)	c (in)	d (in)	e (in)	f (in)	g (in)	h (in)
(N)ER2001H, 003S, 003H, 005L, 005S	T & B	1.1	0.7	0.9	0.7	1.4	1.5	1.1	3.7
(N)ER2001HCC, 003SCC	T	1.1	0.7	0.9	0.7	1.4	1.5	1.1	3.7
	B	0.8	0.5	0.7	0.5	1.4	1.4	0.9	3.0
(N)ER2010L, 010S	T & B	1.5	0.9	1.2	0.9	1.7	1.8	1.2	4.3
(N)ER2020C	T & B	1.9	1.1	1.6	1.1	2.0	2.2	1.5	5.4
(N)ER2015S	T	2.0	1.3	1.7	1.3	2.1	2.2	1.5	5.7
	B	1.7	1.1	1.5	1.1	1.9	2.0	1.3	4.9
(N)ER2020L, 020S	T & B	2.0	1.3	1.7	1.3	2.1	2.2	1.5	5.7
(N)ER2025S	T	2.0	1.3	1.7	1.3	2.4	2.4	1.7	6.1
	B	2.0	1.3	1.7	1.3	2.1	2.2	1.5	5.7
(N)ER2030L, 030C	T & B	2.2	1.4	1.9	1.4	2.4	2.5	1.7	6.3
(N)ER2050L	T & B	2.6	1.7	2.2	1.7	2.5	2.9	1.9	7.4
(N)ER2080S	B	3.3	2.2	2.9	1.9	3.3	3.7	2.4	9.5
(N)ER2100L, 100S	T & B	4.1	2.8	3.4	2.4	3.9	4.3	3.1	11.4
(N)ER2150S	T & B	4.6	3.3	3.9	2.8	4.3	4.9	3.4	12.3
(N)ER2200S	T & B	5.2	3.3	4.4	2.8	4.9	5.6	4.0	14.4

** T = top hook, B = bottom hook

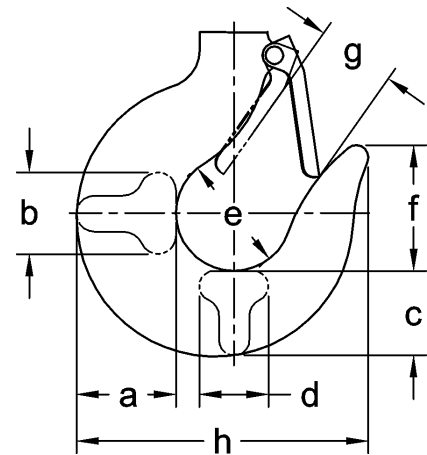


Figure 1 – Hook Dimensions

Imperial (N)ER1* Hook Dimensions:

Product Code	Hook**	a (in)	b (in)	c (in)	d (in)	e (in)	f (in)	g (in)	h (in)
(N)ER001H, 003S, 003H, 005L, 005S	T	1.1	0.7	0.9	0.7	1.4	1.5	1.1	3.5
	B	1.1	0.7	0.9	0.7	1.4	1.5	0.9	3.4
(N)ER001HCC, 003SCC	T	1.1	0.7	0.9	0.7	1.4	1.5	1.1	3.5
	B	0.8	0.5	0.7	0.5	1.4	1.4	1.0	3.0
(N)ER010L, 010M, 010S	T & B	1.4	0.9	1.2	0.9	1.7	1.8	1.2	4.2
(N)ER015S	T	1.9	1.1	1.6	1.1	2.0	2.2	1.5	5.3
	B	1.7	1.0	1.4	1.0	1.9	2.0	1.3	4.9
(N)ER020S, 020M, 020L	T & B	1.9	1.1	1.6	1.1	2.0	2.2	1.5	5.3
(N)ER025S	T	2.2	1.4	1.9	1.4	2.4	2.5	1.7	6.2
	B	2.0	1.2	1.7	1.2	2.1	2.3	1.6	5.7
(N)ER030C, 030L, 030S	T & B	2.2	1.4	1.9	1.4	2.4	2.5	1.7	6.3
(N)ER050L	T & B	2.6	1.7	2.2	1.7	2.5	2.9	1.8	7.4
ER080S	B	3.3	2.2	2.9	1.9	3.3	3.6	2.4	9.5
ER100L, 100S	T & B	3.3	2.2	2.9	1.9	3.3	3.6	2.4	9.5
ER150S	T & B	4.1	2.8	3.4	2.4	3.9	4.3	3.1	11.4
ER200S	T & B	4.6	3.3	3.9	2.8	4.3	4.9	3.4	12.3

* NER Available through 5 Ton.

** T = top hook, B = bottom hook

Imperial SNER Hook Dimensions:

Product Code	Hook*	a (in)	b (in)	c (in)	d (in)	e (in)	f (in)	g (in)	h (in)
SNER003S, 005L, 005S	T	1.1	0.7	0.9	0.7	1.4	1.5	1.1	3.5
	B	1.1	0.7	0.9	0.7	1.4	1.5	0.9	3.4
SNER010L, 010S	T & B	1.4	0.9	1.2	0.9	1.7	1.8	1.2	4.2
SNER020L	T & B	1.9	1.1	1.6	1.1	2.0	2.2	1.5	5.3
SNER030C	T & B	2.2	1.4	1.9	1.4	2.4	2.5	1.7	6.3

* T = top hook, B = bottom hook

Imperial SH Hook Dimensions:

Product Code	Hook*	a (in)	b (in)	c (in)	d (in)	e (in)	f (in)	g (in)	h (in)
SH003, 005L, 005S	T	1.1	0.7	0.9	0.7	1.4	1.5	1.1	3.5
	B	1.1	0.7	0.9	0.7	1.4	1.5	0.9	3.4
SH010L, 010S	T & B	1.4	0.9	1.2	0.9	1.7	1.8	1.2	4.2
SH020L	T & B	1.9	1.1	1.6	1.1	2.0	2.2	1.5	5.3

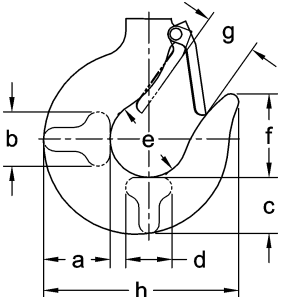
* T = top hook, B = bottom hook

Imperial ED Hook Dimensions:

Product Code	Hook*	a (in)	b (in)	c (in)	d (in)	e (in)	f (in)	g (in)	h (in)
ED125, ED220, ED250, ED350, ED400, ED525	T	0.8	0.3	0.7	0.3	1.3	1.2	1.0	2.9
	B	0.8	0.5	0.7	0.5	1.4	1.4	1.0	3.0
ED1050	T	1.1	0.7	0.9	0.7	1.4	1.2	1.1	3.5
	B	1.1	0.7	0.9	0.7	1.4	1.4	0.9	3.4

* T = top hook, B = bottom hook

Imperial Food Grade NER2 Hook Dimensions:

	Capacity Code	Hook	a (in)	b (in)	c (in)	d (in)	e (in)	f (in)	g (in)	h (in)
	003L, 005L	Stainless Bottom		1.5	0.9	1.2	0.9	1.7	1.8	1.2
Epoxy Painted Top & Bottom			1.1	0.7	0.9	0.7	1.4	1.5	1.1	3.7
010L	Stainless Bottom		1.9	1.1	1.6	1.1	2.0	2.2	1.5	5.4
	Epoxy Painted Top & Bottom		1.5	0.9	1.2	0.9	1.7	1.8	1.2	4.3
020L	Stainless Bottom		2.2	1.4	1.9	1.4	2.4	2.5	1.7	6.3
	Epoxy Painted Top & Bottom		2.0	1.3	1.7	1.3	2.1	2.2	1.5	5.7

Metric (N)ER2 Hook Dimensions:

Product Code	Hook**	a (mm)	b (mm)	c (mm)	d (mm)	e (mm)	f (mm)	g (mm)	h (mm)
(N)ER2001H, 003S, 003H, 005L, 005S	T & B	28	18	24	18	36	39	27	94
(N)ER2001HCC, 003SCC	T	28	18	24	18	36	39	27	94
	B	20	12	17	12	36	35	23	77
(N)ER2010L, 010S	T & B	37	23	31	23	43	46	31	109
(N)ER2020C	T & B	48	29	40	29	50	55	37	136
(N)ER2015S	T	52	32	44	32	53	57	39	145
	B	44	27	37	27	48	52	34	124
(N)ER2020L, 020S	T & B	52	32	44	32	53	57	39	145
(N)ER2025S	T	52	33	44	33	60	62	44	156
	B	52	32	44	32	53	57	39	145
(N)ER2030L, 030C	T & B	56	35	48	35	60	64	44	160
(N)ER2050L	T & B	67	43	56	43	63	74	47	189
(N)ER2100L, 100S	T & B	104	70	87	60	100	110	80	289
(N)ER2150S	T & B	117	83	99	70	110	125	86	313
(N)ER2200S	T & B	132	85	112	71	125	143	102	367

** T = top hook, B = bottom hook

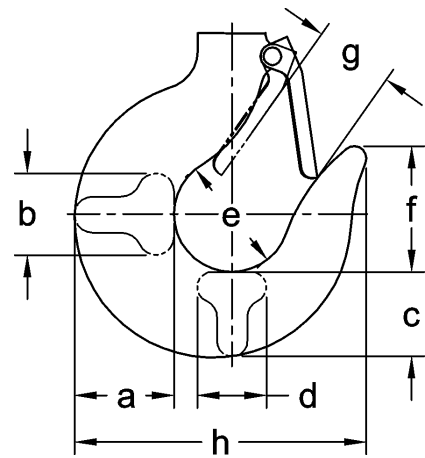


Figure 1 – Hook Dimensions

Metric (N)ER1* Hook Dimensions:

Product Code	Hook**	a (mm)	b (mm)	c (mm)	d (mm)	e (mm)	f (mm)	g (mm)	h (mm)
(N)ER001H, 003S, 003H, 005L, 005S	T	28	18	24	18	36	38	28	89
	B	28	18	24	18	36	38	24	86
(N)ER001HCC, 003SCC	T	28	18	24	18	36	38	28	89
	B	20	13	18	13	36	36	25	76
(N)ER010L, 010M, 010S	T & B	37	23	31	23	43	46	31	107
(N)ER015S	T	48	29	40	29	50	56	37	135
	B	44	27	37	27	48	50	34	125
(N)ER020S, 020M, 020L	T & B	48	29	40	29	50	56	37	135
(N)ER025S	T	56	35	48	35	60	64	44	157
	B	52	32	44	32	53	58	40	145
(N)ER030C, 030L, 030S	T & B	56	35	48	35	60	64	44	160
(N)ER050L	T & B	67	43	56	43	63	74	46	188
ER100L, 100S	T & B	84	55	73	48	85	91	62	241
ER150S	T & B	104	70	87	60	100	109	79	290
ER200S	T & B	118	83	100	70	110	124	86	312

* NER Available through 5 Ton.

** T = top hook, B = bottom hook

Metric SNER Hook Dimensions:

Product Code	Hook*	a (mm)	b (mm)	c (mm)	d (mm)	e (mm)	f (mm)	g (mm)	h (mm)
SNER003S, 005L, 005S	T	28	18	24	18	36	38	28	89
	B	28	18	24	18	36	38	24	86
SNER010L, 010S	T & B	37	23	31	23	43	46	31	107
SNER020L	T & B	48	29	40	29	50	56	37	135
SNER030C	T & B	56	35	48	35	60	64	44	160

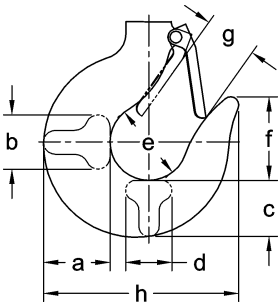
* T = top hook, B = bottom hook

Metric ED Hook Dimensions:

Product Code	Hook*	a (mm)	b (mm)	c (mm)	d (mm)	e (mm)	f (mm)	g (mm)	h (mm)
ED125, ED220, ED250, ED350, ED400, ED525	T	20	7	17	7	34	30	25	74
	B	20	13	17	13	36	35	25	76
ED1050	T	28	18	23.5	17.5	36	31	28	89
	B	28	18	22.5	17.5	36	36	23	86

* T = top hook, B = bottom hook

Metric Food Grade NER2 Hook Dimensions:

	Capacity Code	Hook	a (mm)	b (mm)	c (mm)	d (mm)	e (mm)	f (mm)	g (mm)	h (mm)
	003L, 005L	Stainless Bottom		37	23	31	23	42	46	31
Epoxy Painted Top & Bottom			28	18	24	18	36	39	27	94
010L	Stainless Bottom		48	29	40	29	50	55	37	136
	Epoxy Painted Top & Bottom		37	23	31	23	43	46	31	109
020L	Stainless Bottom		56	35	48	35	60	64	44	160
	Epoxy Painted Top & Bottom		52	32	44	32	53	57	39	145

Imperial (N)ER2 Chain Dimensions:

Cap. (Tons)	Product Code	d (in)	a (in)	b (in)	P (in)
1/8	(N)ER2001HCC(D)	0.17	0.26	0.59	0.47
1/8	(N)ER2001H(D)	0.17	0.26	0.59	0.47
1/4	(N)ER2003S(D)	0.17	0.26	0.59	0.47
1/4	(N)ER2003SCC(D)	0.17	0.26	0.59	0.47
1/4	(N)ER2003H(D)	0.24	0.35	0.83	0.66
1/2	(N)ER2005L(D)	0.24	0.35	0.83	0.66
1/2	(N)ER2005S(D)	0.24	0.35	0.83	0.66
1	(N)ER2010L(D)	0.30	0.46	1.06	0.84
1	(N)ER2010S(D)	0.30	0.46	1.06	0.84
1 1/2	(N)ER2015S(D)	0.40	0.60	1.41	1.12
2	(N)ER2020C(D)	0.30	0.46	1.06	0.84
2	(N)ER2020L(D)	0.40	0.60	1.41	1.12
2	(N)ER2020S(D)	0.40	0.60	1.41	1.12
2 1/2	(N)ER2025S(D)	0.44	0.65	1.54	1.23
3	(N)ER2030L(D)	TBD	TBD	TBD	TBD
3	(N)ER2030C(D)	0.40	0.60	1.41	1.12
5	(N)ER2050L(D)	0.44	0.65	1.54	1.23
8	(N)ER2080S(D)	0.44	0.65	1.54	1.23
10	(N)ER2100L(D)	0.44	0.65	1.54	1.23
10	(N)ER2100S(D)	0.44	0.65	1.54	1.23
15	(N)ER2150S(D)	0.44	0.65	1.54	1.23
20	(N)ER2200S(D)	0.44	0.65	1.54	1.23

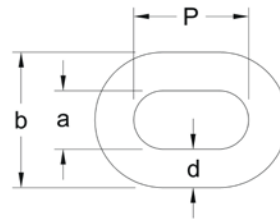


Figure 2 – Chain Dimensions

Imperial (N)ER1 Chain Dimensions:

Cap. (Tons)	Product Code	d (in)	a (in)	b (in)	P (in)
1/8	(N)ER001HCC(D)	0.20	0.25	0.71	0.59
1/8	(N)ER001H(D)	0.20	0.25	0.71	0.59
1/4	(N)ER003S(D)	0.20	0.25	0.71	0.59
1/4	(N)ER003SCC(D)	0.20	0.25	0.71	0.59
1/4	(N)ER003H(D)	0.25	0.31	0.87	0.75
1/2	(N)ER005L(D)	0.25	0.31	0.87	0.75
1/2	(N)ER005S(D)	0.25	0.31	0.87	0.75
1	(N)ER010L(D)	0.31	0.39	1.10	0.94
1	NER010M	0.31	0.39	1.10	0.94
1	(N)ER010S(D)	0.31	0.39	1.10	0.94
1 1/2	(N)ER015S(D)	0.39	0.49	1.38	1.18
2	(N)ER020L(D)	0.39	0.49	1.38	1.18
2	NER020M	0.39	0.49	1.38	1.18
2	(N)ER020S(D)	0.39	0.49	1.38	1.18
2 1/2	(N)ER025S(D)	0.44	0.55	1.54	1.34
3	NER030C	0.39	0.49	1.38	1.18
3	(N)ER030L(D)	0.49	0.62	1.73	1.50
3	(N)ER030S(D)	0.49	0.62	1.73	1.50
5	(N)ER050L(D)	0.44	0.55	1.54	1.34
8	(N)ER080S(D)	0.44	0.55	1.54	1.34
10	(N)ER100L(D)	0.44	0.55	1.54	1.34
10	(N)ER100S(D)	0.44	0.55	1.54	1.34
15	(N)ER150S(D)	0.44	0.55	1.54	1.34
20	(N)ER200S(D)	0.44	0.55	1.54	1.34

Imperial SNER Chain Dimensions:

Cap. (Tons)	Product Code	d (in)	a (in)	b (in)	P (in)
1/4	SNER003S	0.20	0.25	0.71	0.59
1/2	SNER005L	0.25	0.31	0.87	0.75
1/2	SNER005S	0.25	0.31	0.87	0.75
1	SNER010L	0.31	0.39	1.10	0.94
1	SNER010S	0.31	0.39	1.10	0.94
2	SNER020L	0.39	0.49	1.38	1.18
3	SNER030C	0.39	0.49	1.38	1.18

Imperial SH Chain Dimensions:

Cap. (Tons)	Product Code	d (in)	a (in)	b (in)	P (in)
1/4	SH003	0.20	0.25	0.71	0.59
1/2	SH005L	0.20	0.25	0.71	0.59
1/2	SH005S	0.25	0.31	0.87	0.75
1	SH010L	0.25	0.31	0.87	0.75
1	SH010S	0.28	0.35	0.98	0.83
2	SH020L	0.28	0.35	0.98	0.83

Imperial ED Chain Dimensions:

Cap. (lbs)	Product Code	d (in)	a (in)	b (in)	P (in)
125 to 1050	(All Models)	0.16	0.20	0.53	0.48

Metric (N)ER2 Chain Dimensions:

Cap. (Tons)	Product Code	d (mm)	a (mm)	b (mm)	P (mm)
1/8	(N)ER2001HCC(D)	4.3	6.5	15.1	12.0
1/8	(N)ER2001H(D)	4.3	6.5	15.1	12.0
1/4	(N)ER2003S(D)	4.3	6.5	15.1	12.0
1/4	(N)ER2003SCC(D)	4.3	6.5	15.1	12.0
1/4	(N)ER2003H(D)	6.0	9.0	21.0	16.7
1/2	(N)ER2005L(D)	6.0	9.0	21.0	16.7
1/2	(N)ER2005S(D)	6.0	9.0	21.0	16.7
1	(N)ER2010L(D)	7.7	11.6	27.0	21.4
1	(N)ER2010S(D)	7.7	11.6	27.0	21.4
1 1/2	(N)ER2015S(D)	10.2	15.3	35.7	28.4
2	(N)ER2020C(D)	7.7	11.6	27.0	21.4
2	(N)ER2020L(D)	10.2	15.3	35.7	28.4
2	(N)ER2020S(D)	10.2	15.3	35.7	28.4
2 1/2	(N)ER2025S(D)	11.2	16.6	39.0	31.2
3	(N)ER2030L(D)	TBD	TBD	TBD	TBD
3	(N)ER2030C(D)	10.2	15.3	35.7	28.4
5	(N)ER2050L(D)	11.2	16.6	39.0	31.2
8	(N)ER2080S(D)	11.2	16.6	39.0	31.2
10	(N)ER2100L(D)	11.2	16.6	39.0	31.2
10	(N)ER2100S(D)	11.2	16.6	39.0	31.2
15	(N)ER2150S(D)	11.2	16.6	39.0	31.2
20	(N)ER2200S(D)	11.2	16.6	39.0	31.2

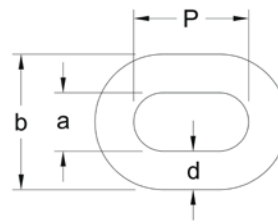


Figure 2 – Chain Dimensions

Metric (N)ER1 Chain Dimensions:

Cap. (Tons)	Product Code	d (mm)	a (mm)	b (mm)	P (mm)
1/8	(N)ER001HCC(D)	5.0	6.3	18.0	15.0
1/8	(N)ER001H(D)	5.0	6.3	18.0	15.0
1/4	(N)ER003S(D)	5.0	6.3	18.0	15.0
1/4	(N)ER003SCC(D)	5.0	6.3	18.0	15.0
1/4	(N)ER003H(D)	6.3	7.9	22.0	19.0
1/2	(N)ER005L(D)	6.3	7.9	22.0	19.0
1/2	(N)ER005S(D)	6.3	7.9	22.0	19.0
1	(N)ER010L(D)	8.0	10.0	28.0	24.0
1	NER010M	8.0	10.0	28.0	24.0
1	(N)ER010S(D)	8.0	10.0	28.0	24.0
1 1/2	(N)ER015S(D)	10.0	12.5	35.0	30.0
2	(N)ER020L(D)	10.0	12.5	35.0	30.0
2	NER020M	10.0	12.5	35.0	30.0
2	(N)ER020S(D)	10.0	12.5	35.0	30.0
2 1/2	(N)ER025S(D)	11.2	14.0	39.0	34.0
3	NER030C	10.0	12.5	35.0	30.0
3	(N)ER030L(D)	12.5	15.7	44.0	38.0
3	(N)ER030S(D)	12.5	15.7	44.0	38.0
5	(N)ER050L(D)	11.2	14.0	39.0	34.0
10	(N)ER100L(D)	11.2	14.0	39.0	34.0
10	(N)ER100S(D)	11.2	14.0	39.0	34.0
15	(N)ER150S(D)	11.2	14.0	39.0	34.0
20	(N)ER200S(D)	11.2	14.0	39.0	34.0

Metric SNER Chain Dimensions:

Cap. (Tons)	Product Code	d (mm)	a (mm)	b (mm)	P (mm)
1/4	SNER003S	5.0	6.3	18.0	15.0
1/2	SNER005L	6.3	7.9	22.0	19.0
1/2	SNER005S	6.3	7.9	22.0	19.0
1	SNER010L	8.0	10.0	28.0	24.0
1	SNER010S	8.0	10.0	28.0	24.0
2	SNER020L	10.0	12.5	35.0	30.0
3	SNER030C	10.0	12.5	35.0	30.0

Metric ED Chain Dimensions:

Cap. (kg)	Product Code	d (mm)	a (mm)	b (mm)	P (mm)
60 to 480	(All Models)	4.0	6.0	14.0	12.0

Duty Classifications:

Hoist Duty Class	Typical Areas of Application	Operation Time Ratings at K = 0.65*			
		Uniformly Distributed Work Periods		Infrequent Work Periods	
		Max. on Time (min/hr)	Max. No. of Starts/hr	Max. on Time From Cold Start (min)	Max. No. of starts
H2	Light machine shop fabricating, service and maintenance; loads and utilization randomly distributed; rated loads infrequently handled	7.5 (12.5%)	75	15	100
H3	General machine shop fabricating, assembly, storage, and warehousing; loads and utilization randomly distributed	15 (25%)	150	30	200
H4	High volume handling in steel warehouses, machine shops, fabricating plants and mills, and foundries; manual or automatic cycling operations in heat treating and plating; loads at or near rated load frequently handled	30 (50%)	300	30	300

*K = Mean effective load factor.

Corrosion – Resistant Chains

Nickel Plated (NP) and Nickel Diffused (ND) Chain:

Examples of Corrosion Resistance to Acids, Salts, and Other Substances Under Normal Temperatures			
Substance		Concentration %	Corrosion Resistance
Air	Indoors, Outdoors	—	No Corrosion
Mineral Acids	Sulfuric Acid	10	Corrosion
	Nitric Acid	10	Corrosion
	Hydrochloric Acid	10	Corrosion
	Phosphoric Acid	10	Slight Corrosion
	Boric Acid	5	Slight Corrosion
Organic Acids	Acetic Acid	10	Slight Corrosion
	Tartaric Acid	10	No Corrosion
Alkalis	Caustic Soda	10	No Corrosion
	Ammonia	10	Slight Corrosion
Other	Salt Water	—	Slight Corrosion

Results listed in this table are for chemicals in a pure state. The degree of corrosion resistance may differ from this table with the presence of other chemicals, different concentrations, mixed substances or damage to the nickel surface layer.