

Purpose:

To provide dimension and specification information for the RH electric wire rope hoist.

Attachments:

<u>Pg</u>	<u>Type</u>	<u>Description</u>
2	Data Chart	Deck Mounted or Lug Suspended Hoist – Imperial Specifications
3	Data Chart	Deck Mounted or Lug Suspended Hoist – Metric Specifications
4	Line Drawing and Data Chart	Deck Mounted or Lug Suspended Hoist – Imperial Dimensions
5	Line Drawing and Data Chart	Deck Mounted or Lug Suspended Hoist – Metric Dimensions
6	Data Chart	Standard Headroom Trolley Hoist - Hoist Imperial Specifications
7	Data Chart	Standard Headroom Trolley Hoist - Hoist Metric Specifications
8	Data Chart	Standard Headroom Trolley Hoist - Trolley Imperial Specifications
9	Data Chart	Standard Headroom Trolley Hoist - Trolley Metric Specifications
10	Line Drawing and Data Chart	Standard Headroom Trolley Hoist – Imperial Dimensions
11	Line Drawing and Data Chart	Standard Headroom Trolley Hoist – Metric Dimensions
12	Data Chart	Ultra-Low Headroom Trolley Hoist - Hoist Imperial Specifications
13	Data Chart	Ultra-Low Headroom Trolley Hoist - Hoist Metric Specifications
14	Data Chart	Ultra-Low Headroom Trolley Hoist - Trolley Imperial Specifications
15	Data Chart	Ultra-Low Headroom Trolley Hoist - Trolley Metric Specifications
16	Data Chart	Ultra-Low Headroom Trolley Hoist – Imperial Headroom
16	Data Chart	Ultra-Low Headroom Trolley Hoist – Metric Headroom
17	Line Drawing and Data Chart	Ultra-Low Headroom Trolley Hoist – Imperial Dimensions
18	Line Drawing and Data Chart	Ultra-Low Headroom Trolley Hoist – Metric Dimensions
19	Line Drawing and Data Chart	Eye Bolt and Attachment Point – Imperial Dimensions
20	Line Drawing and Data Chart	Eye Bolt and Attachment Point – Metric Dimensions
21	Line Drawing and Data Chart	Bottom Hook – Imperial Dimensions
22	Line Drawing and Data Chart	Bottom Hook – Metric Dimensions
23	Line Drawing and Data Chart	Reaction Forces at Rated Load – Imperial
24	Line Drawing and Data Chart	Reaction Forces at Rated Load – Metric
25	Line Drawing and Data Chart	Trolley Wheel – Imperial Dimensions
26	Line Drawing and Data Chart	Trolley Wheel – Metric Dimensions

Deck/Base Mounted or Lug Suspended Hoists Imperial Specifications

Capacity (Tons)	Product Code	Lift (ft)	Lifting Speed (ft/min)		Reeving (parts/reeving)	Rope (mm)	Single Speed Lifting Motor 3 Phase 60Hz			Dual Speed Lifting Motor 3 Phase 60Hz			Net Weight (lbs)	
			Single Speed	Dual Speed			Output (Hp)	Rated Current (amps)		Output (Hp)	Rated Current (amps)			
								@460V	@230V		@460V	@230V		
2	RH02D-20①4C-②	20	16	16/5	4/1	7	4.9	7.7	15.4	4.9/1.6	7.7/6.3	15.4/12.5	331	
	RH02D-29①4C-②	29											375	
	RH02D-20①4D-②	20	24	24/8									331	
	RH02D-29①4D-②	29											375	
	RH02D-39①3A-②	39	32	32/10	2/1	7							311	
	RH02D-79①3A-②	79				7*							353	
3	RH03D-20①4C-②	20	16	16/5	4/1	7	4.9	7.7	15.4	4.9/1.6	7.7/6.3	15.4/12.5	331	
	RH03D-29①4C-②	29											375	
	RH03D-23①4H-②	23	24	24/8									9	452
	RH03D-33①4H-②	33												518
	RH03D-46①3E-②	46	32	32/10	2/1	9							430	
	RH03D-85①3E-②	85				9*							474	
5	RH05D-23①4G-②	23	16	16/5	4/1	9	8.2	11.5	23.0	8.2/2.7	11.5/9.6	23.0/19.0	452	
	RH05D-33①4G-②	33											518	
	RH05D-23①4M-②	23	24	24/8									13	1190
	RH05D-33①4M-②	33												1378
	RH05D-46①4J-②	46	32	32/10	2/1	13							1080	
	RH05D-92①4J-②	92				13*							1246	
	RH05D-52①4P-②	52	48	48/16	2/1	16							1962	
	RH05D-X5①4P-②	105				16*							2227	
7 1/2	RH08D-23①4L-②	23	16	16/5	4/1	13	16.3	21.0	42.0	16.3/5.4	23.0/17.3	46.0/34.5	1190	
	RH08D-33①4L-②	33											1378	
	RH08D-23①3M-②	23	24	24/8									13	1190
	RH08D-33①3M-②	33												1378
	RH08D-52①4N-②	52	32	32/10	2/1	16							1962	
	RH08D-X5①4N-②	105				16*							2227	
10	RH10D-23①4L-②	23	16	16/5	4/1	13	16.3	21.0	42.0	16.3/5.4	23.0/17.3	46.0/34.5	1190	
	RH10D-33①4L-②	33											1378	
	RH10D-26①4R-②	26	24	24/8									16	2205
	RH10D-36①4R-②	36												2513
	RH10D-52①3N-②	52	32	32/10	2/1	16							1962	
	RH10D-X5①3N-②	105				16*							2227	
15	RH15D-26①4Q-②	26	16	16/5	4/1	16	26.1	33.0	69.0	26.1/8.6	36.5/29.0	79.0/60.0	2205	
	RH15D-36①4Q-②	36											2513	
20	RH20D-26①3Q-②	26	16	16/5	4/1	16	26.1	33.0	69.0	26.1/8.6	36.5/29.0	79.0/60.0	2205	
	RH20D-36①3Q-②	36											2513	

*2/1 long lift hoists are fitted with revolving-resistant rope.

- ① S = Single Speed Hoist
D = Dual Speed Hoist
- ② 2 = 230V – 3ph – 60Hz
4 = 460V – 3ph – 60Hz

Deck/Base Mounted or Lug Suspended Hoists Metric Specifications

Capacity (Tons)	Product Code	Lift (m)	Lifting Speed (m/min)		Reeving (parts/reeving)	Rope (mm)	Single Speed Lifting Motor 3 Phase 60Hz			Dual Speed Lifting Motor 3 Phase 60Hz			Net Weight (Kg)
			Single Speed	Dual Speed			Output (KW)	Rated Current (amps)		Output (KW)	Rated Current (amps)		
								@460V	@230V		@460V	@230V	
2	RH02D-20①4C-②	6	4.8	4.8/1.6	4/1	7	3.6	7.7	15.4	3.6/1.2	7.7/6.3	15.4/12.5	150
	RH02D-29①4C-②	9											170
	RH02D-20①4D-②	6	7.2	7.2/2.4									150
	RH02D-29①4D-②	9											170
	RH02D-39①3A-②	12	9.6	9.6/3.1	141								
	RH02D-79①3A-②	24			160								
3	RH03D-20①4C-②	6	4.8	4.8/1.6	4/1	7	3.6	7.7	15.4	3.6/1.2	7.7/6.3	15.4/12.5	150
	RH03D-29①4C-②	9											170
	RH03D-23①4H-②	7	7.2	7.2/2.4									205
	RH03D-33①4H-②	10											235
	RH03D-46①3E-②	14	9.6	9.6/3.1	195								
	RH03D-85①3E-②	26			215								
5	RH05D-23①4G-②	7	4.8	4.8/1.6	4/1	9	6.0	11.5	23.0	6.0/2.0	11.5/9.6	23.0/19.0	205
	RH05D-33①4G-②	10											235
	RH05D-23①4M-②	7	7.2	7.2/2.4									540
	RH05D-33①4M-②	10											625
	RH05D-46①4J-②	14	9.6	9.6/3.1	490								
	RH05D-92①4J-②	28			565								
	RH05D-52①4P-②	16	14.4	14.4/4.8	890								
	RH05D-X5①4P-②	32			1010								
7 1/2	RH08D-23①4L-②	7	4.8	4.8/1.6	4/1	13	12.0	21.0	42.0	12.0/4.0	23.0/17.3	46.0/34.5	540
	RH08D-33①4L-②	10											625
	RH08D-23①3M-②	7	7.2	7.2/2.4									540
	RH08D-33①3M-②	10											625
	RH08D-52①4N-②	16	9.6	9.6/3.1	890								
	RH08D-X5①4N-②	32			1010								
10	RH10D-23①4L-②	7	4.8	4.8/1.6	4/1	13	12.0	21.0	42.0	12.0/4.0	23.0/17.3	46.0/34.5	540
	RH10D-33①4L-②	10											625
	RH10D-26①4R-②	8	7.2	7.2/2.4									1000
	RH10D-36①4R-②	11											1140
	RH10D-52①3N-②	16	9.6	9.6/3.1	890								
	RH10D-X5①3N-②	32			1010								
15	RH15D-26①4Q-②	8	4.8	4.8/1.6	4/1	16	19.2	33.0	69.0	19.2/6.3	36.5/29.0	79.0/60.0	1000
	RH15D-36①4Q-②	11											1140
20	RH20D-26①3Q-②	8	4.8	4.8/1.6	4/1	16	19.2	33.0	69.0	19.2/6.3	36.5/29.0	79.0/60.0	1000
	RH20D-36①3Q-②	11											1140

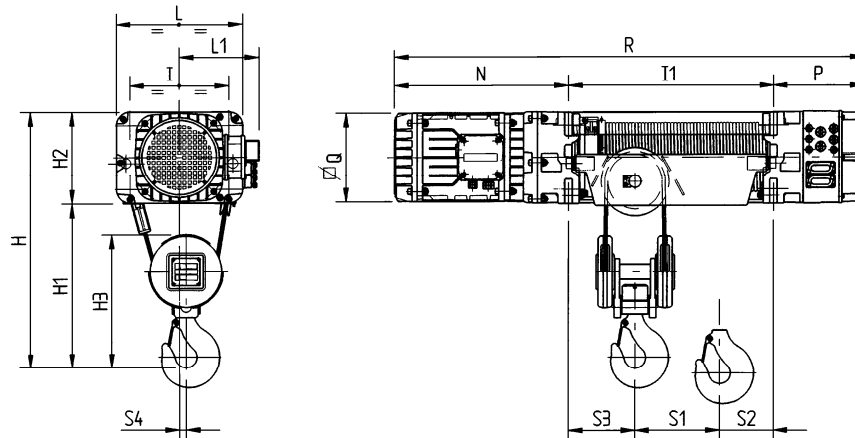
*2/1 long lift hoists are fitted with revolving-resistant rope.

- ① S = Single Speed Hoist
D = Dual Speed Hoist
- ② 2 = 230V – 3ph – 60Hz
4 = 460V – 3ph – 60Hz

Deck/Base Mounted or Lug Suspended Hoists **Imperial Dimensions***

Capacity (Tons)	Product Code	H (in)	H1 (in)	H2 (in)	H3 (in)	I (in)	I1 (in)	L (in)	L1 (in)	N (in)	P (in)	Ø Q (in)	R (in)	S1 (in)	S2 (in)	S3 (in)	S4 (in)					
2	RH02D-20①4C-②	25.6	16.5	9.1	13.6	9.8	20.3	12.6	8.3	18.3	10.0	8.9	48.6	3.9	10.4	5.9	0.6					
	RH02D-29①4C-②						35.0						63.4	6.3	22.8	6.5						
	RH02D-20①4D-②						20.3						48.6	3.9	10.4	5.9						
	RH02D-29①4D-②						35.0						63.4	6.3	22.8	6.5						
	RH02D-39①3A-②	27.2	18.1	15.4	20.3		48.6						7.3	9.3	3.7	1.1						
	RH02D-79①3A-②				35.0		63.4						10.8	20.5								
3	RH03D-20①4C-②	25.6	16.5	9.1	13.6	9.8	20.3	12.6	8.3	18.3	10.0	8.9	48.6	3.9	10.4	5.9	0.6					
	RH03D-29①4C-②						35.0						63.4	6.3	22.8	6.5						
	RH03D-23①4H-②	29.5	18.9	10.6	15.4		23.6						14.6	9.3	20.1	10.6	10.2	54.3	5.3	11.2	7.1	0.7
	RH03D-33①4H-②						39.4											70.1	8.3	24	7.9	
	RH03D-46①3E-②	32.3	21.7	10.6	17.5		23.6											54.3	8.7	11.0	3.9	1.2
	RH03D-85①3E-②						39.4											70.1	12.2	23.2		
RH05D-23①4G-②	29.5					18.9	10.6	15.4	23.6	54.3	5.3	11.2						7.1	0.7			
RH05D-33①4G-②									39.4	70.1	8.3	24.0						7.9				
5	RH05D-23①4M-②	40.2	25.2	15.0	21.3	14.6	29.1	18.9	11.4	27.0	8.1	11.8	64.2	6.3	13.4	9.4	0.9					
	RH05D-33①4M-②						49.6						84.6	9.4	30.7	10.6						
	RH05D-46①4J-②	42.9	28.0	23.4	29.1		64.2						10.4	13.6	5.1	1.6						
	RH05D-92①4J-②				49.6		84.6						14.8	29.7								
	RH05D-52①4P-②	55.1	36.2	18.5	29.5		33.9						76.2	11.4	15.7	6.7	1.8					
	RH05D-X5①4P-②						55.9						98.2	15.7	33.5							
7 1/2	RH08D-23①4L-②	40.2	25.2	15.0	21.3	14.6	29.1	18.9	11.4	27.0	8.1	11.8	64.2	6.3	13.4	9.4	0.9					
	RH08D-33①4L-②						49.6						84.6	9.4	30.7	10.6						
	RH08D-23①3M-②						29.1						64.2	6.3	13.4	9.4						
	RH08D-33①3M-②						49.6						84.6	9.4	30.7	10.6						
	RH08D-52①4N-②	55.1	36.2	18.5	29.5		33.9						76.2	11.4	15.7	6.7	1.8					
	RH08D-X5①4N-②						55.9						98.2	15.7	33.5							
10	RH10D-23①4L-②	40.2	25.2	15.0	21.3	14.6	29.1	18.9	11.4	27	8.1	11.8	64.2	6.3	13.4	9.4	0.9					
	RH10D-33①4L-②						49.6						84.6	9.4	30.7	10.6						
	RH10D-26①4R-②	52.0	33.5	18.5	27.6		33.9						76.2	7.1	13	13.8	1.0					
	RH10D-36①4R-②						55.9						98.2	8.7	33.5							
	RH10D-52①3N-②	55.1	36.2	29.5	33.9		76.2						11.4	15.7	6.7	1.8						
	RH10D-X5①3N-②				55.9		98.2						15.7	33.5								
15	RH15D-26①4Q-②	52.0	33.5	18.5	27.6	18.1	33.9	23.6	14.2	32.9	8.7	13.4	76.2	7.1	13	13.8	1.0					
	RH15D-36①4Q-②						55.9						98.2	8.7	33.5							
20	RH20D-26①3Q-②	52.0	33.5	18.5	27.6	18.1	33.9	23.6	14.2	32.9	8.7	13.4	76.2	7.1	13	13.8	1.0					
	RH20D-36①3Q-②						55.9						98.2	8.7	33.5							

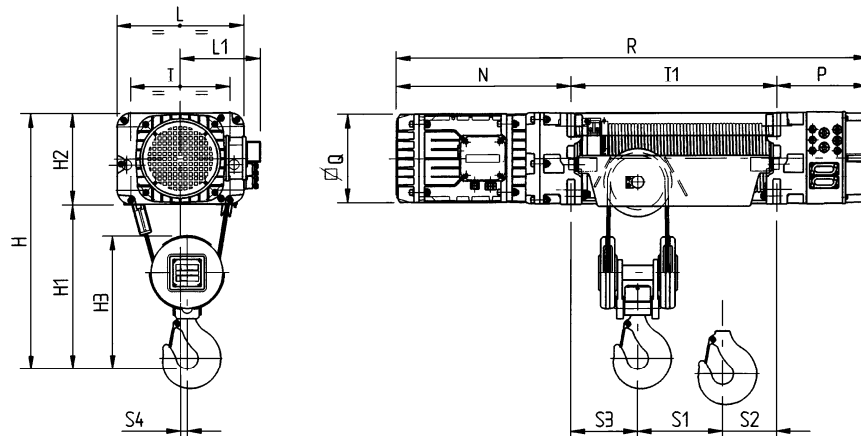
*See page 19 for Deck/Base Mounted or Lug Suspended eye bolt and attachment point dimensions.



Deck/Base Mounted or Lug Suspended Hoists Metric Dimensions*

Capacity (Tons)	Product Code	H (mm)	H1 (mm)	H2 (mm)	H3 (mm)	I (mm)	I1 (mm)	L (mm)	L1 (mm)	N (mm)	P (mm)	Ø Q (mm)	R (mm)	S1 (mm)	S2 (mm)	S3 (mm)	S4 (mm)
2	RH02D-20①4C-②	650	420	230	345	250	515	320	210	465	255	225	1235	100	265	150	15
	RH02D-29①4C-②						890						1610	160	580	165	
	RH02D-20①4D-②						515						1235	100	265	150	
	RH02D-29①4D-②						890						1610	160	580	165	
	RH02D-39①3A-②	690	460	390	515	1235	185	235	95	28							
	RH02D-79①3A-②				890	1610	275	520									
3	RH03D-20①4C-②	650	420	230	345	250	515	320	210	465	255	225	1235	100	265	150	15
	RH03D-29①4C-②						890						1610	160	580	165	
	RH03D-23①4H-②	750	480	270	390	290	600	370	235	510	270	260	1380	135	285	180	19
	RH03D-33①4H-②						1000						1780	210	610	200	
	RH03D-46①3E-②	820	550	270	445	600	1380	220	280	100	30						
	RH03D-85①3E-②					1000	1780	310	590								
5	RH05D-23①4G-②	750	480	270	390	290	600	370	235	510	270	260	1380	135	285	180	19
	RH05D-33①4G-②						1000						1780	210	610	200	
	RH05D-23①4M-②	1020	640	380	540	370	740	480	290	685	205	300	1630	160	340	240	23
	RH05D-33①4M-②						1260						2150	240	750	270	
	RH05D-46①4J-②	1090	710	595	740	1260	740	600	360	835	220	340	1630	265	345	130	40
	RH05D-92①4J-②						1260						2150	375	755		
	RH05D-52①4P-②	1400	920	470	750	460	860	600	360	835	220	340	1935	290	400	170	45
	RH05D-X5①4P-②						1420						2495	400	850		
7 1/2	RH08D-23①4L-②	1020	640	380	540	370	740	480	290	685	205	300	1630	160	340	240	23
	RH08D-33①4L-②						1260						2150	240	750	270	
	RH08D-23①3M-②						740						1630	160	340	240	
	RH08D-33①3M-②						1260						2150	240	750	270	
	RH08D-52①4N-②	1400	920	470	750	460	860	600	360	835	220	340	1935	290	400	170	45
	RH08D-X5①4N-②						1420						2495	400	850		
10	RH10D-23①4L-②	1020	640	380	540	370	740	480	290	685	205	300	1630	160	340	240	23
	RH10D-33①4L-②						1260						2150	240	750	270	
	RH10D-26①4R-②	1320	850	470	700	460	860	600	360	835	220	340	1935	180	330	350	25
	RH10D-36①4R-②						1420						2495	220	850		
	RH10D-52①3N-②	1400	920	750	860	1420	860	600	360	835	220	340	1935	290	400	170	45
	RH10D-X5①3N-②						1420						2495	400	850		
15	RH15D-26①4Q-②	1320	850	470	700	460	860	600	360	835	220	340	1935	180	330	350	25
	RH15D-36①4Q-②						1420						2495	220	850		
20	RH20D-26①3Q-②	1320	850	470	700	460	860	600	360	835	220	340	1935	180	330	350	25
	RH20D-36①3Q-②						1420						2495	220	850		

*See page 20 for Deck/Base Mounted or Lug Suspended eye bolt and attachment point dimensions.



Standard Headroom Trolley Hoists Hoist Imperial Specifications

Capacity (Tons)	Product Code	Lift (ft)	Lifting Speed (ft/min)		Reeving (parts/reaving)	Rope (mm)	Single Speed Lifting Motor 3 Phase 60Hz			Dual Speed Lifting Motor 3 Phase 60Hz			Net Weight (lbs)
			Single Speed	Dual Speed			Output (Hp)	Rated Current (amps)		Output (Hp)	Rated Current (amps)		
								@460V	@230V		@460V	@230V	
2	RH02S-20①4C-②-③	20	16	16/5	4/1	7	4.9	7.7	15.4	4.9/1.6	7.7/6.3	15.4/12.5	529
	RH02S-29①4C-②-③	29											573
	RH02S-20①4D-②-③	20	24	24/8									529
	RH02S-29①4D-②-③	29											573
	RH02S-39①3A-②-③	39	32	32/10	509								
	RH02S-79①3A-②-③	79			551								
3	RH03S-20①4C-②-③	20	16	16/5	4/1	7	4.9	7.7	15.4	4.9/1.6	7.7/6.3	15.4/12.5	529
	RH03S-29①4C-②-③	29											573
	RH03S-23①4H-②-③	23	24	24/8									728
	RH03S-33①4H-②-③	33											794
	RH03S-46①3E-②-③	46	32	32/10	617								
	RH03S-85①3E-②-③	85			672								
5	RH05S-23①4G-②-③	23	16	16/5	4/1	9	8.2	11.5	23.0	8.2/2.7	11.5/9.6	23.0/19.0	728
	RH05S-33①4G-②-③	33											794
	RH05S-23①4M-②-③	23	24	24/8									1918
	RH05S-33①4M-②-③	33											2083
	RH05S-46①4J-②-③	46	32	32/10	1378								
	RH05S-92①4J-②-③	92			1543								
	RH05S-52①4P-②-③	52	48	48/16	2690								
	RH05S-X5①4P-②-③	105			2954								
7 1/2	RH08S-23①4L-②-③	23	16	16/5	4/1	13	16.3	21.0	42.0	16.3/5.4	23.0/17.3	46.0/34.5	1918
	RH08S-33①4L-②-③	33											2083
	RH08S-23①3M-②-③	23	24	24/8									1918
	RH08S-33①3M-②-③	33											2083
	RH08S-52①4N-②-③	52	32	32/10	2690								
	RH08S-X5①4N-②-③	105			2954								
10	RH10S-23①4L-②-③	23	16	16/5	4/1	13	16.3	21.0	42.0	16.3/5.4	23.0/17.3	46.0/34.5	1918
	RH10S-33①4L-②-③	33											2083
	RH10S-26①4R-②-③	26	24	24/8									3351
	RH10S-36①4R-②-③	36											3660
	RH10S-52①3N-②-③	52	32	32/10	2690								
	RH10S-X5①3N-②-③	105			2954								
15	RH15S-26①4Q-②-③	26	16	16/5	4/1	16	26.1	33.0	69.0	26.1/8.6	36.5/29.0	79.0/60.0	3351
	RH15S-36①4Q-②-③	36											3660
20	RH20S-26①3Q-②-③	26	16	16/5	4/1	16	26.1	33.0	69.0	26.1/8.6	36.5/29.0	79.0/60.0	3351
	RH20S-36①3Q-②-③	36											3660

*2/1 long lift hoists are fitted with revolving-resistant rope.

- ① S = Single Speed Hoist
D = Dual Speed Hoist
- ② 2 = 230V – 3ph – 60Hz
4 = 460V – 3ph – 60Hz
- ③ Traversing Speed:
F = 40 ft/min
G = 64 ft/min
H = 80 ft/min
V = 64/16 ft/min
W = 80/20 ft/min

Standard Headroom Trolley Hoists Hoist Metric Specifications

Capacity (Tons)	Product Code	Lift (m)	Lifting Speed (m/min)		Reeving (parts/reeving)	Rope (mm)	Single Speed Lifting Motor 3 Phase 60Hz			Dual Speed Lifting Motor 3 Phase 60Hz			Net Weight (Kg)	
			Single Speed	Dual Speed			Output (KW)	Rated Current (amps)		Output (KW)	Rated Current (amps)			
								@460V	@230V		@460V	@230V		
2	RH02S-20①4C-②	6	4.8	4.8/1.6	4/1	7	3.6	7.7	15.4	3.6/1.2	7.7/6.3	15.4/12.5	240	
	RH02S-29①4C-②	9											260	
	RH02S-20①4D-②	6	7.2	7.2/2.4									240	
	RH02S-29①4D-②	9											260	
	RH02S-39①3A-②	12	9.6	9.6/3.1	2/1								7	230
	RH02S-79①3A-②	24			7*								250	
3	RH03S-20①4C-②	6	4.8	4.8/1.6	4/1	7	3.6	7.7	15.4	3.6/1.2	7.7/6.3	15.4/12.5	240	
	RH03S-29①4C-②	9											260	
	RH03S-23①4H-②	7	7.2	7.2/2.4									9	330
	RH03S-33①4H-②	10											360	
	RH03S-46①3E-②	14	9.6	9.6/3.1	2/1								9	280
	RH03S-85①3E-②	26			9*								305	
5	RH05S-23①4G-②	7	4.8	4.8/1.6	4/1	9	6.0	11.5	23.0	6.0/2.0	11.5/9.6	23.0/19.0	330	
	RH05S-33①4G-②	10											360	
	RH05S-23①4M-②	7	7.2	7.2/2.4									13	870
	RH05S-33①4M-②	10											945	
	RH05S-46①4J-②	14	9.6	9.6/3.1	2/1								13	625
	RH05S-92①4J-②	28			13*								700	
	RH05S-52①4P-②	16	14.4	14.4/4.8	16								1220	
	RH05S-X5①4P-②	32			16*								1340	
7 1/2	RH08S-23①4L-②	7	4.8	4.8/1.6	4/1	13	12.0	21.0	42.0	12.0/4.0	23.0/17.3	46.0/34.5	870	
	RH08S-33①4L-②	10											945	
	RH08S-23①3M-②	7	7.2	7.2/2.4									13	870
	RH08S-33①3M-②	10											945	
	RH08S-52①4N-②	16	9.6	9.6/3.1	2/1								16	1220
	RH08S-X5①4N-②	32			16*								1340	
10	RH10S-23①4L-②	7	4.8	4.8/1.6	4/1	13	12.0	21.0	42.0	12.0/4.0	23.0/17.3	46.0/34.5	870	
	RH10S-33①4L-②	10											945	
	RH10S-26①4R-②	8	7.2	7.2/2.4									16	1520
	RH10S-36①4R-②	11											1660	
	RH10S-52①3N-②	16	9.6	9.6/3.1	2/1								16	1220
	RH10S-X5①3N-②	32			16*								1340	
15	RH15S-26①4Q-②	8	4.8	4.8/1.6	4/1	16	19.2	33.0	69.0	19.2/6.3	36.5/29.0	79.0/60.0	1520	
	RH15S-36①4Q-②	11											1660	
20	RH20S-26①3Q-②	8	4.8	4.8/1.6	4/1	16	19.2	33.0	69.0	19.2/6.3	36.5/29.0	79.0/60.0	1520	
	RH20S-36①3Q-②	11											1660	

*2/1 long lift hoists are fitted with revolving-resistant rope.

- ① S = Single Speed Hoist
D = Dual Speed Hoist
- ② 2 = 230V – 3ph – 60Hz
4 = 460V – 3ph – 60Hz
- ③ Traversing Speed:
F = 10 m/min
G = 16 m/min
H = 20 m/min
V = 16/4 m/min
W = 20/5 m/min

Standard Headroom Trolley Hoists Trolley Imperial Specifications

Capacity (Tons)	Product Code	Standard Flange Range B* (in)	Traversing Motors								
			Single Speed 40 ft/min			Single Speed 64 and 80 ft/min			Dual Speed 64/16 and 80/20 ft/min		
			Output (Hp)	Rated Current (amps)		Output (Hp)	Rated Current (amps)		Output (Hp)	Rated Current (amps)	
				@460V	@230V		@460V	@230V		@460V	@230V
2	RH02S-20①4C-②-③	3.54 to 11.02	0.32	1.1	2.2	0.6	1.1	3.0	0.6/0.13	1.3/1.1	2.5/2.2
	RH02S-29①4C-②-③										
	RH02S-20①4D-②-③										
	RH02S-29①4D-②-③										
	RH02S-39①3A-②-③										
RH02S-79①3A-②-③											
3	RH03S-20①4C-②-③	3.54 to 11.02	0.32	1.1	2.2	0.6	1.1	3.0	0.6/0.13	1.3/1.1	2.5/2.2
	RH03S-29①4C-②-③	4.69 to 11.02									
	RH03S-23①4H-②-③	3.54 to 11.02									
	RH03S-33①4H-②-③										
	RH03S-46①3E-②-③										
RH03S-85①3E-②-③											
5	RH05S-23①4G-②-③	4.69 to 11.02	0.32	1.1	2.2	0.6	1.1	3.0	0.6/0.13	1.3/1.1	2.5/2.2
	RH05S-33①4G-②-③	5.31 to 11.02									
	RH05S-23①4M-②-③		0.5			0.9	1.5	4.4	0.9/0.2	2.1/1.1	4.2/2.2
	RH05S-33①4M-②-③										
	RH05S-46①4J-②-③	4.69 to 11.02	0.32			0.6	1.1	3.0	0.6/0.13	1.3/1.1	2.5/2.2
	RH05S-92①4J-②-③	5.31 to 11.02									
	RH05S-52①4P-②-③		0.5			0.9	1.5	4.4	0.9/0.2	2.1/1.1	4.2/2.2
RH05S-X5①4P-②-③											
7 1/2	RH08S-23①4L-②-③	5.31 to 11.02	0.5	1.1	2.2	0.9	1.5	4.4	0.9/0.2	2.1/1.1	4.2/2.2
	RH08S-33①4L-②-③										
	RH08S-23①3M-②-③										
	RH08S-33①3M-②-③										
	RH08S-52①4N-②-③										
RH08S-X5①4N-②-③											
10	RH10S-23①4L-②-③	5.31 to 11.02	0.5	1.1	2.2	0.9	1.5	4.4	0.9/0.2	2.1/1.1	4.2/2.2
	RH10S-33①4L-②-③	6.69 to 11.02									
	RH10S-26①4R-②-③										
	RH10S-36①4R-②-③	5.31 to 11.02									
	RH10S-52①3N-②-③										
RH10S-X5①3N-②-③											
15**	RH15S-26①4Q-②-③	6.69 to 11.02	0.5 x 2	1.1 x 2	2.2 x 2	0.9 x 2	1.5 x 2	4.4 x 2	0.9/0.2 x 2	2.1/1.1 x 2	4.2/2.2 x 2
	RH15S-36①4Q-②-③										
20**	RH20S-26①3Q-②-③	6.69 to 11.02	0.5 x 2	1.1 x 2	2.2 x 2	0.9 x 2	1.5 x 2	4.4 x 2	0.9/0.2 x 2	2.1/1.1 x 2	4.2/2.2 x 2
	RH20S-36①3Q-②-③										

*Optional wider flange ranges available. Wider flange range is the standard lower value to 15.75 inch.
Example: Wider flange range for 2 Ton trolley hoists is 3.54 to 15.75 inches.

**15 and 20 Ton models are equipped with 2 trolley motors.

Standard Headroom Trolley Hoists Trolley Metric Specifications

Capacity (Tons)	Product Code	Standard Flange Range B* (mm)	Traversing Motors								
			Single Speed 10 m/min			Single Speed 16 and 20 m/min			Dual Speed 16/4 and 20/5 m/min		
			Output (KW)	Rated Current (amps)		Output (KW)	Rated Current (amps)		Output (KW)	Rated Current (amps)	
				@460V	@230V		@460V	@230V		@460V	@230V
2	RH02S-20①4C-②-③	90 to 280	0.24	1.1	2.2	0.44	1.1	3.0	0.44/0.10	1.3/1.1	2.5/2.2
	RH02S-29①4C-②-③										
	RH02S-20①4D-②-③										
	RH02S-29①4D-②-③										
	RH02S-39①3A-②-③										
RH02S-79①3A-②-③											
3	RH03S-20①4C-②-③	90 to 280	0.24	1.1	2.2	0.44	1.1	3.0	0.44/0.10	1.3/1.1	2.5/2.2
	RH03S-29①4C-②-③	120 to 280									
	RH03S-23①4H-②-③										
	RH03S-33①4H-②-③	90 to 280									
	RH03S-46①3E-②-③										
RH03S-85①3E-②-③											
5	RH05S-23①4G-②-③	120 to 280	0.24	1.1	2.2	0.44	1.1	3.0	0.44/0.10	1.3/1.1	2.5/2.2
	RH05S-33①4G-②-③										
	RH05S-23①4M-②-③	135 to 280	0.37			0.44	1.1	3.0	0.44/0.10	1.3/1.1	2.5/2.2
	RH05S-33①4M-②-③										
	RH05S-46①4J-②-③	120 to 280	0.24			0.66	1.5	4.4	0.66/0.15	2.1/1.1	4.2/2.2
	RH05S-92①4J-②-③										
	RH05S-52①4P-②-③	135 to 280	0.37			0.66	1.5	4.4	0.66/0.15	2.1/1.1	4.2/2.2
RH05S-X5①4P-②-③											
7 1/2	RH08S-23①4L-②-③	135 to 280	0.37	1.1	2.2	0.66	1.5	4.4	0.66/0.15	2.1/1.1	4.2/2.2
	RH08S-33①4L-②-③										
	RH08S-23①3M-②-③										
	RH08S-33①3M-②-③										
	RH08S-52①4N-②-③										
RH08S-X5①4N-②-③											
10	RH10S-23①4L-②-③	135 to 280	0.37	1.1	2.2	0.66	1.5	4.4	0.66/0.15	2.1/1.1	4.2/2.2
	RH10S-33①4L-②-③										
	RH10S-26①4R-②-③	170 to 280									
	RH10S-36①4R-②-③										
	RH10S-52①3N-②-③	135 to 280									
RH10S-X5①3N-②-③											
15**	RH15S-26①4Q-②-③	170 to 280	0.37 x 2	1.1 x 2	2.2 x 2	0.66 x 2	1.5 x 2	4.4 x 2	0.66/0.15x 2	2.1/1.1 x 2	4.2/2.2 x 2
	RH15S-36①4Q-②-③										
20**	RH20S-26①3Q-②-③	170 to 280	0.37 x 2	1.1 x 2	2.2 x 2	0.66 x 2	1.5 x 2	4.4 x 2	0.66/0.15x 2	2.1/1.1 x 2	4.2/2.2 x 2
	RH20S-36①3Q-②-③										

*Optional wider flange ranges available. Wider flange range is the standard lower value to 400 mm.

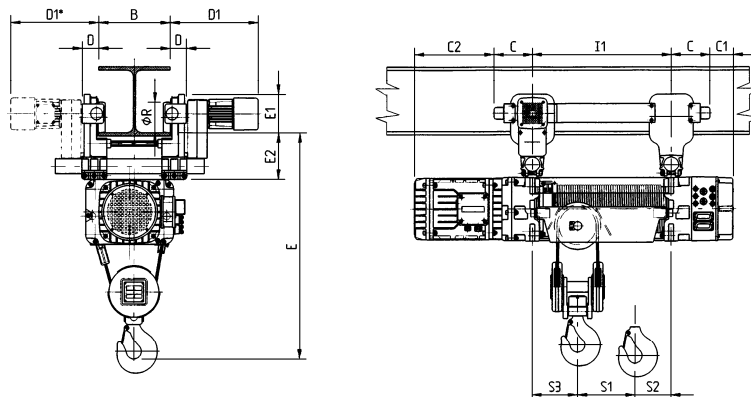
Example: Wider flange range for 2 Ton trolley hoists is 90 to 400 mm.

**15 and 20 Ton models are equipped with 2 trolley motors.

Standard Headroom Trolley Hoists Imperial Dimensions

Capacity (Tons)	Product Code	C (in)	C1 (in)	C2 (in)	D (in)	D1 (in)	E (in)	E1 (in)	E2 (in)	I1 (in)	ØR (in)	S1 (in)	S2 (in)	S3 (in)
2	RH02S-20①4C-②-③	6.7	3.3	11.6	2.4	14.6	32.7	5.9	7.1	20.3	3.94	3.9	10.4	5.9
	RH02S-29①4C-②-③									35		6.3	22.8	6.5
	RH02S-20①4D-②-③									20.3		3.9	10.4	5.9
	RH02S-29①4D-②-③									35.0		6.3	22.8	6.5
	RH02S-39①3A-②-③									20.3		7.3	9.3	3.7
	RH02S-79①3A-②-③						35	10.8	20.5					
3	RH03S-20①4C-②-③	6.7	3.3	11.6	2.4	14.6	32.7	5.9	7.1	20.3	3.94	3.9	10.4	5.9
	RH03S-29①4C-②-③									35.0		6.3	22.8	6.5
	RH03S-23①4H-②-③	8.1	2.6	12	2.6	14.8	37.4	6.2	7.7	23.6	4.92	5.3	11.2	7.1
	RH03S-33①4H-②-③									39.4		8.3	24	7.9
	RH03S-46①3E-②-③	6.7	3.9	13.4	2.4	14.6	39.4	5.9	7.1	23.6	3.94	8.7	11.0	3.9
	RH03S-85①3E-②-③									39.4		12.2	23.2	
5	RH05S-23①4G-②-③	8.1	2.6	12	2.6	14.8	37.4	6.2	7.7	23.6	4.92	5.3	11.2	7.1
	RH05S-33①4G-②-③									39.4		8.3	24	7.9
	RH05S-23①4M-②-③	11.4	-3.3	15.6	3.5	15.7	50.8	9.8	10.4	29.1	6.30	6.3	13.4	9.4
	RH05S-33①4M-②-③									49.6		9.4	30.7	10.6
	RH05S-46①4J-②-③	8.1	0	18.9	2.7	14.8	50.8	6.2	7.7	29.1	4.92	10.4	13.6	5.1
	RH05S-92①4J-②-③									49.6		14.8	29.7	
	RH05S-52①4P-②-③	11.4	-2.8	21.5	3.5	15.7	65.7	9.8	10.4	33.9	6.30	11.4	15.7	6.7
	RH05S-X5①4P-②-③									55.9		15.7	33.5	
7 1/2	RH08S-23①4L-②-③	11.4	-3.3	15.6	3.5	15.7	50.8	9.8	10.4	29.1	6.30	6.3	13.4	9.4
	RH08S-33①4L-②-③									49.6		9.4	30.7	10.6
	RH08S-23①3M-②-③									29.1		6.3	13.4	9.4
	RH08S-33①3M-②-③		49.6	9.4	30.7	10.6								
	RH08S-52①4N-②-③		-2.8	21.5	65.7	33.9	11.4	15.7	6.7					
	RH08S-X5①4N-②-③					55.9	15.7	33.5						
10	RH10S-23①4L-②-③	11.4	-3.3	15.6	3.5	15.7	50.8	9.8	10.4	29.1	6.30	6.3	13.4	9.4
	RH10S-33①4L-②-③									49.6		9.4	30.7	10.6
	RH10S-26①4R-②-③	13.4	-4.7	19.5	3.9	16.1	63.8	12.2	12.0	33.9	7.87	7.1	13.0	13.8
	RH10S-36①4R-②-③									55.9		8.7	33.5	
	RH10S-52①3N-②-③	11.4	-2.8	21.5	3.5	15.7	65.7	9.8	10.4	33.9	6.30	11.4	15.7	6.7
	RH10S-X5①3N-②-③									55.9		15.7	33.5	
15*	RH15S-26①4Q-②-③	13.4	-4.7	19.5	3.9	16.1	63.8	12.2	12.0	33.9	7.87	7.1	13.0	13.8
	RH15S-36①4Q-②-③									55.9		8.7	33.5	
20*	RH20S-26①3Q-②-③	13.4	-4.7	19.5	3.9	16.1	63.8	12.2	12.0	33.9	7.87	7.1	13.0	13.8
	RH20S-36①3Q-②-③									55.9		8.7	33.5	

*15 and 20 Ton models are equipped with 2 trolley motors.

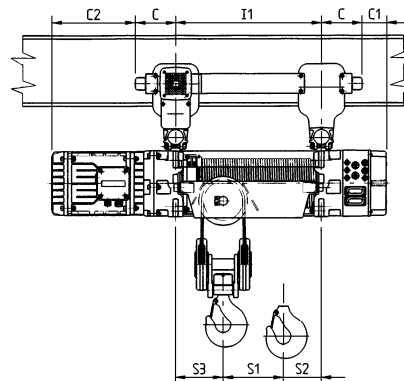
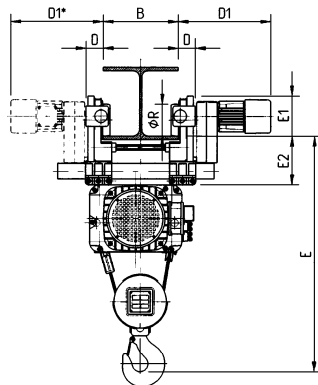


Note:
 ▪ Standard headroom trolleys are suitable for use on S or W shaped beams.
 ▪ Refer to page 8 for flange range dimension B

Standard Headroom Trolley Hoists Metric Dimensions

Capacity (Tons)	Product Code	C (mm)	C1 (mm)	C2 (mm)	D (mm)	D1 (mm)	E (mm)	E1 (mm)	E2 (mm)	I1 (mm)	Ø R (mm)	S1 (mm)	S2 (mm)	S3 (mm)
2	RH02S-20①4C-②-③	170	85	295	62	370	830	150	180	515	100	100	265	150
	RH02S-29①4C-②-③									890		160	580	165
	RH02S-20①4D-②-③									515		100	265	150
	RH02S-29①4D-②-③									890		160	580	165
	RH02S-39①3A-②-③						515	185	235	95				
	RH02S-79①3A-②-③						890	275	520					
3	RH03S-20①4C-②-③	170	85	295	62	370	830	150	180	515	100	100	265	150
	RH03S-29①4C-②-③									890		160	565	165
	RH03S-23①4H-②-③	205	65	305	68	375	950	158	195	600	125	135	285	180
	RH03S-33①4H-②-③									1000		210	590	200
	RH03S-46①3E-②-③	170	100	340	62	370	1000	150	180	600	100	220	280	100
	RH03S-85①3E-②-③									1000		310	590	
5	RH05S-23①4G-②-③	205	65	305	68	375	950	158	195	600	125	135	285	180
	RH05S-33①4G-②-③									1000		210	590	200
	RH05S-23①4M-②-③	290	-85	395	90	400	1290	250	265	740	160	160	340	240
	RH05S-33①4M-②-③										1260		240	750
	RH05S-46①4J-②-③	205	0	480	68	375	1290	158	195	740	125	265	345	130
	RH05S-92①4J-②-③										1260		375	
	RH05S-52①4P-②-③	290	-70	545	90	400	1670	250	265	860	160	290	400	170
	RH05S-X5①4P-②-③									1420		400	850	
7 1/2	RH08S-23①4L-②-③	290	-85	395	90	400	1290	250	265	740	160	160	340	240
	RH08S-33①4L-②-③									1260		240	750	270
	RH08S-23①3M-②-③									740		160	340	240
	RH08S-33①3M-②-③									1260		240	750	270
	RH08S-52①4N-②-③		-70	545			170	860	290	400				
	RH08S-X5①4N-②-③							1420	400	850				
10	RH10S-23①4L-②-③	290	-85	395	90	400	1290	250	265	740	160	160	340	240
	RH10S-33①4L-②-③									1260		240	750	270
	RH10S-26①4R-②-③	360	-140	480	100	410	1620	310	305	860	200	180	330	350
	RH10S-36①4R-②-③									1420		220	850	
	RH10S-52①3N-②-③	290	-70	545	90	400	1670	250	265	860	160	290	400	170
	RH10S-X5①3N-②-③									1420		400	850	
15*	RH15S-26①4Q-②-③	360	-140	475	100	410	1620	310	305	860	200	180	330	350
	RH15S-36①4Q-②-③									1420		220	850	
20*	RH20S-26①3Q-②-③	360	-140	480	100	410	1621	310	305	860	200	180	330	350
	RH20S-36①3Q-②-③									1420		220	850	

*15 and 20 Ton models are equipped with 2 trolley motors.



Note:

- Standard headroom trolleys are suitable for use on S or W shaped beams.
- Refer to page 9 for flange range dimension B

Ultra-Low Headroom Trolley Hoists Hoist Imperial Specifications

Capacity (Tons)	Product Code	Lift (ft)	Lifting Speed (ft/min)		Reeving (parts/reaving)	Rope (mm)	Single Speed Lifting Motor 3 Phase 60Hz			Dual Speed Lifting Motor 3 Phase 60Hz			Net Weight (lbs)																			
			Single Speed	Dual Speed			Output (Hp)	Rated Current (amps)		Output (Hp)	Rated Current (amps)																					
								@460V	@230V		@460V	@230V																				
2	RH02U-20①4C-②-③	20	16	16/5	4/1	7	4.9	7.7	15.4	4.9/1.6	7.7/6.3	15.4/12.5	705																			
	RH02U-29①4C-②-③	29											750																			
	RH02U-20①4D-②-③	20	24	24/8									705																			
	RH02U-29①4D-②-③	29											750																			
	RH02U-39①3A-②-③	39	32	32/10	2/1	7							686																			
	RH02U-79①3A-②-③	79											728																			
3	RH03U-20①4C-②-③	20	16	16/5	4/1	7	4.9	7.7	15.4	4.9/1.6	7.7/6.3	15.4/12.5	705																			
	RH03U-29①4C-②-③	29											750																			
	RH03U-23①4H-②-③	23	24	24/8									9	8.2	11.5	23.0	8.2/2.7	11.5/9.6	23.0/19.0	1036												
	RH03U-33①4H-②-③	33																		1102												
	RH03U-46①3E-②-③	46	32	32/10	2/1	9							16.3							21.0	42.0	16.3/5.4	23.0/17.3	46.0/34.5	893							
	RH03U-85①3E-②-③	85																							948							
5	RH05U-23①4G-②-③	23	16	16/5	4/1	9	8.2	11.5	23.0	8.2/2.7	11.5/9.6	23.0/19.0													1036							
	RH05U-33①4G-②-③	33																							1102							
	RH05U-23①4M-②-③	23	24	24/8										13	16.3	21.0	42.0	16.3/5.4	23.0/17.3						46.0/34.5	2624						
	RH05U-33①4M-②-③	33																								2811						
	RH05U-46①4J-②-③	46	32	32/10	13	26.1							33.0	69.0						26.1/8.6	36.5/29.0	79.0/60.0	2017									
	RH05U-92①4J-②-③	92																					2183									
	RH05U-52①4P-②-③	52	48	48/16	16		26.1	33.0	69.0	26.1/8.6	36.5/29.0	79.0/60.0											3869									
	RH05U-X5①4P-②-③	105																					4244									
7 1/2	RH08U-23①4L-②-③	23	16	16/5	4/1																		13	16.3		21.0	42.0	16.3/5.4	23.0/17.3	46.0/34.5	2624	
	RH08U-33①4L-②-③	33																													2811	
	RH08U-23①3M-②-③	23	24	24/8											13	26.1	33.0	69.0	26.1/8.6						36.5/29.0						79.0/60.0	2624
	RH08U-33①3M-②-③	33																														2811
	RH08U-52①4N-②-③	52	32	32/10	2/1	16							26.1	33.0	69.0					26.1/8.6	36.5/29.0	79.0/60.0	3869									
	RH08U-X5①4N-②-③	105																					4244									
10	RH10U-23①4L-②-③	23	16	16/5	4/1	13	16.3	21.0	42.0	16.3/5.4	23.0/17.3	46.0/34.5											2624									
	RH10U-33①4L-②-③	33																					2811									
	RH10U-26①4R-②-③	26	24	24/8												16	26.1	33.0	69.0				26.1/8.6	36.5/29.0	79.0/60.0	4707						
	RH10U-36①4R-②-③	36																								5170						
	RH10U-52①3N-②-③	52	32	32/10	2/1	16							26.1	33.0	69.0	26.1/8.6				36.5/29.0	79.0/60.0	3869										
	RH10U-X5①3N-②-③	105																				4244										
15	RH15U-26①4Q-②-③	26	16	16/5	4/1	16	26.1	33.0	69.0	26.1/8.6	36.5/29.0	79.0/60.0										4707										
	RH15U-36①4Q-②-③	36																				5170										
20	RH20U-26①3Q-②-③	26	16	16/5	4/1	16	26.1	33.0	69.0	26.1/8.6	36.5/29.0	79.0/60.0					4707															
	RH20U-36①3Q-②-③	36															5170															

*2/1 long lift hoists are fitted with anti-revolving rope.

- ① S = Single Speed Hoist
D = Dual Speed Hoist
- ② 2 = 230V – 3ph – 60Hz
4 = 460V – 3ph – 60Hz
- ③ Traversing Speed:
F = 40 ft/min
G = 64 ft/min
H = 80 ft/min
V = 64/16 ft/min
W = 80/20 ft/min

Ultra-Low Headroom Trolley Hoists Hoist Metric Specifications

Capacity (Tons)	Product Code	Lift (m)	Lifting Speed (m/min)		Reeving (parts/reeving)	Rope** (mm-spec.)	Single Speed Lifting Motor 3 Phase 60Hz			Dual Speed Lifting Motor 3 Phase 60Hz			Net Weight (Kg)	
			Single Speed	Dual Speed			Output (KW)	Rated Current (amps)		Output (KW)	Rated Current (amps)			
								@460V	@230V		@460V	@230V		
2	RH02U-20①4C-②-③	6	4.8	4.8/1.6	4/1	7-B	3.6	7.7	15.4	3.6/1.2	7.7/6.3	15.4/12.5	320	
	RH02U-29①4C-②-③	9											340	
	RH02U-20①4D-②-③	6	7.2	7.2/2.4									320	
	RH02U-29①4D-②-③	9											340	
	RH02U-39①3A-②-③	12	9.6	9.6/3.1	2/1	7-A							311	
	RH02U-79①3A-②-③	24				7-A*							330	
3	RH03U-20①4C-②-③	6	4.8	4.8/1.6	4/1	7-A	6.0	11.5	23.0	6.0/2.0	11.5/9.6	23.0/19.0	320	
	RH03U-29①4C-②-③	9											340	
	RH03U-23①4H-②-③	7	7.2	7.2/2.4									9-B	470
	RH03U-33①4H-②-③	10											500	
	RH03U-46①3E-②-③	14	9.6	9.6/3.1	2/1	9-A							405	
	RH03U-85①3E-②-③	26				9-A*							430	
5	RH05U-23①4G-②-③	7	4.8	4.8/1.6	4/1	9-A	6.0	11.5	23.0	6.0/2.0	11.5/9.6	23.0/19.0	470	
	RH05U-33①4G-②-③	10											500	
	RH05U-23①4M-②-③	7	7.2	7.2/2.4									13-B	1190
	RH05U-33①4M-②-③	10											1275	
	RH05U-46①4J-②-③	14	9.6	9.6/3.1	2/1	13-A							915	
	RH05U-92①4J-②-③	28				13-A*							990	
	RH05U-52①4P-②-③	16	14.4	14.4/4.8	2/1	16-B	1755							
	RH05U-X5①4P-②-③	32				16-B*	1925							
7 1/2	RH08U-23①4L-②-③	7	4.8	4.8/1.6	4/1	13-M	12.0	21.0	42.0	12.0/4.0	23.0/17.3	46.0/34.5	1190	
	RH08U-33①4L-②-③	10											1275	
	RH08U-23①3M-②-③	7	7.2	7.2/2.4									13-B	1190
	RH08U-33①3M-②-③	10											1275	
	RH08U-52①4N-②-③	16	9.6	9.6/3.1	2/1	16-A							1755	
	RH08U-X5①4N-②-③	32				16-A*							1925	
10	RH10U-23①4L-②-③	7	4.8	4.8/1.6	4/1	13-A	12.0	21.0	42.0	12.0/4.0	23.0/17.3	46.0/34.5	1190	
	RH10U-33①4L-②-③	10											1275	
	RH10U-26①4R-②-③	8	7.2	7.2/2.4									16-B	2135
	RH10U-36①4R-②-③	11											2345	
	RH10U-52①3N-②-③	16	9.6	9.6/3.1	2/1	16-A							1755	
	RH10U-X5①3N-②-③	32				16-A*							1925	
15	RH15U-26①4Q-②-③	8	4.8	4.8/1.6	4/1	16-A	19.2	33.0	69.0	19.2/6.3	36.5/29.0	79.0/60.0	2135	
	RH15U-36①4Q-②-③	11											2345	
20	RH20U-26①3Q-②-③	8	4.8	4.8/1.6	4/1	16-A	19.2	33.0	69.0	19.2/6.3	36.5/29.0	79.0/60.0	2135	
	RH20U-36①3Q-②-③	11											2345	

*2/1 long lift hoists are fitted with revolving-resistant rope.

- ① S = Single Speed Hoist
D = Dual Speed Hoist
- ② 2 = 230V – 3ph – 60Hz
4 = 460V – 3ph – 60Hz
- ③ Traversing Speed:
F = 10 m/min
G = 16 m/min
H = 20 m/min
V = 16/4 m/min
W = 20/5 m/min

Ultra-Low Headroom Trolley Hoists Trolley Imperial Specifications

Capacity (Tons)	Product Code	Standard Flange Width B (in)	Traversing Motors									
			Single Speed 40 ft/min			Single Speed 64 and 80 ft/min			Dual Speed 64/16 and 80/20 ft/min			
			Output (Hp)	Rated Current (amps)		Output (Hp)	Rated Current (amps)		Output (Hp)	Rated Current (amps)		
				@460V	@230V		@460V	@230V		@460V	@230V	
2	RH02U-20①4C-②-③	3.54 to 15.75	0.32	1.1	2.2	0.6	1.1	3.0	0.6/0.13	1.3/1.1	2.5/2.2	
	RH02U-29①4C-②-③											
	RH02U-20①4D-②-③											
	RH02U-29①4D-②-③											
	RH02U-39①3A-②-③											
RH02U-79①3A-②-③												
3	RH03U-20①4C-②-③	3.54 to 15.75	0.32	1.1	2.2	0.6	1.1	3.0	0.6/0.13	1.3/1.1	2.5/2.2	
	RH03U-29①4C-②-③	4.69 to 15.75										
	RH03U-23①4H-②-③											
	RH03U-33①4H-②-③	3.54 to 15.75										
	RH03U-46①3E-②-③											
RH03U-85①3E-②-③												
5	RH05U-23①4G-②-③	4.69 to 15.75	0.32	1.1	2.2	0.6	1.1	3.0	0.6/0.13	1.3/1.1	2.5/2.2	
	RH05U-33①4G-②-③											
	RH05U-23①4M-②-③	5.31 to 15.75	0.5									
	RH05U-33①4M-②-③											
	RH05U-46①4J-②-③	4.69 to 15.75	0.32									
	RH05U-92①4J-②-③											
	RH05U-52①4P-②-③	5.31 to 15.75	0.5			0.9	1.5	4.4	0.9/0.2	2.1/1.1	4.2/2.2	
RH05U-X5①4P-②-③												
7 1/2	RH08U-23①4L-②-③	5.31 to 15.75	0.5	1.1	2.2	0.9	1.5	4.4	0.9/0.2	2.1/1.1	4.2/2.2	
	RH08U-33①4L-②-③											
	RH08U-23①3M-②-③											
	RH08U-33①3M-②-③											
	RH08U-52①4N-②-③											
RH08U-X5①4N-②-③												
10	RH10U-23①4L-②-③	5.31 to 15.75	0.5	1.1	2.2	0.9	1.5	4.4	0.9/0.2	2.1/1.1	4.2/2.2	
	RH10U-33①4L-②-③	6.69 to 15.75										
	RH10U-26①4R-②-③											
	RH10U-36①4R-②-③	5.31 to 15.75										
	RH10U-52①3N-②-③											
RH10U-X5①3N-②-③												
15*	RH15U-26①4Q-②-③	6.69 to 15.75	0.5 x 2	1.1 x 2	2.2 x 2	0.9 x 2	1.5 x 2	4.4 x 2	0.9/0.2 x 2	2.1/1.1 x 2	4.2/2.2 x 2	
	RH15U-36①4Q-②-③											
20*	RH20U-26①3Q-②-③	6.69 to 15.75	0.5 x 2	1.1 x 2	2.2 x 2	0.9 x 2	1.5 x 2	4.4 x 2	0.9/0.2 x 2	2.1/1.1 x 2	4.2/2.2 x 2	
	RH20U-36①3Q-②-③											

*15 and 20 Ton models are equipped with 2 trolley motors.

Ultra-Low Headroom Trolley Hoists **Trolley Metric Specifications**

Capacity (Tons)	Product Code	Standard Flange Width B (mm)	Traversing Motors								
			Single Speed 10 m/min			Single Speed 16 and 20 m/min			Dual Speed 16/4 and 20/5 m/min		
			Output (KW)	Rated Current (amps)		Output (KW)	Rated Current (amps)		Output (KW)	Rated Current (amps)	
				@460V	@230V		@460V	@230V		@460V	@230V
2	RH02U-20①4C-②-③	90 to 400	0.24	1.1	2.2	0.44	1.1	3.0	0.44/0.10	1.3/1.1	2.5/2.2
	RH02U-29①4C-②-③										
	RH02U-20①4D-②-③										
	RH02U-29①4D-②-③										
	RH02U-39①3A-②-③										
RH02U-79①3A-②-③											
3	RH03U-20①4C-②-③	90 to 400	0.24	1.1	2.2	0.44	1.1	3.0	0.44/0.10	1.3/1.1	2.5/2.2
	RH03U-29①4C-②-③	120 to 400									
	RH03U-23①4H-②-③										
	RH03U-33①4H-②-③										
	RH03U-46①3E-②-③	90 to 400									
RH03U-85①3E-②-③											
5	RH05U-23①4G-②-③	120 to 400	0.24	1.1	2.2	0.44	1.1	3.0	0.44/0.10	1.3/1.1	2.5/2.2
	RH05U-33①4G-②-③	135 to 400									
	RH05U-23①4M-②-③										
	RH05U-33①4M-②-③										
	RH05U-46①4J-②-③	120 to 400									
	RH05U-92①4J-②-③										
	RH05U-52①4P-②-③	135 to 400									
RH05U-X5①4P-②-③											
7 1/2	RH08U-23①4L-②-③	135 to 400	0.37	1.1	2.2	0.66	1.5	4.4	0.66/0.15	2.1/1.1	4.2/2.2
	RH08U-33①4L-②-③										
	RH08U-23①3M-②-③										
	RH08U-33①3M-②-③										
	RH08U-52①4N-②-③										
RH08U-X5①4N-②-③											
10	RH10U-23①4L-②-③	135 to 400	0.37	1.1	2.2	0.66	1.5	4.4	0.66/0.15	2.1/1.1	4.2/2.2
	RH10U-33①4L-②-③	170 to 400									
	RH10U-26①4R-②-③										
	RH10U-36①4R-②-③	135 to 400									
	RH10U-52①3N-②-③										
RH10U-X5①3N-②-③											
15*	RH15U-26①4Q-②-③	170 to 400	0.37 x 2	1.1 x 2	2.2 x 2	0.66 x 2	1.5 x 2	4.4 x 2	0.66/0.15x 2	2.1/1.1 x 2	4.2/2.2 x 2
	RH15U-36①4Q-②-③										
20*	RH20U-26①3Q-②-③	170 to 400	0.37 x 2	1.1 x 2	2.2 x 2	0.66 x 2	1.5 x 2	4.4 x 2	0.66/0.15x 2	2.1/1.1 x 2	4.2/2.2 x 2
	RH20U-36①3Q-②-③										

*15 and 20 Ton models are equipped with 2 trolley motors.

Ultra-Low Trolley Hoist Headroom - Imperial

Hoist Code	Flange Range (in)	Headroom, E* (in)	Headroom, E for 6 inch Flange (in)
A or B	3.54 to 15.75	$17.3 + (1.13 \times T)$	24.1
C or D	3.54 to 6.79	18.9	18.9
	6.80 to 15.75	$11.1 + (1.15 \times T)$	
E or F	3.54 to 15.75	$17.6 + (1.13 \times T)$	24.8
G or H	4.69 to 6.49	18.9	18.9
	6.50 to 15.75	$10.9 + (1.23 \times T)$	

Hoist Code	Flange Range (in)	Headroom, E* (in)	Headroom, E for 6 inch Flange (in)
J or K	4.69 to 8.66	26.8	26.8
	8.67 to 15.75	$16.2 + (1.22 \times T)$	
L or M	5.31 to 10.51	24.0	24.0
	10.52 to 15.75	$11.4 + (1.20 \times T)$	
N or P	5.31 to 10.16	32.7	32.7
	10.17 to 15.75	$20.5 + (1.20 \times T)$	
Q or R	6.69 to 11.81	31.1	31.1**
	11.82 to 15.75	$24.0 + (0.60 \times T)$	

*T in formulas is the exact beam flange width in inches.

**Headroom value for 7 inch flange.

Ultra-Low Trolley Hoist Headroom - Metric

Hoist Code	Flange Range (mm)	Headroom, E* (mm)	Headroom, E for 150 mm Flange (mm)
A or B	90 to 400	$439 + (1.13 \times T)$	612
C or D	90 to 172	480	480
	173 to 400	$282 + (1.15 \times T)$	
E or F	90 to 400	$447 + (1.13 \times T)$	630
G or H	120 to 164	480	480
	165 to 400	$277 + (1.23 \times T)$	

Hoist Code	Flange Range (mm)	Headroom, E* (mm)	Headroom, E for 150 mm Flange (mm)
J or K	120 to 220	681	681
	221 to 400	$411 + (1.22 \times T)$	
L or M	135 to 267	610	610
	268 to 400	$290 + (1.20 \times T)$	
N or P	135 to 258	831	831
	259 to 400	$521 + (1.20 \times T)$	
Q or R	170 to 300	790	790**
	301 to 400	$610 + (0.60 \times T)$	

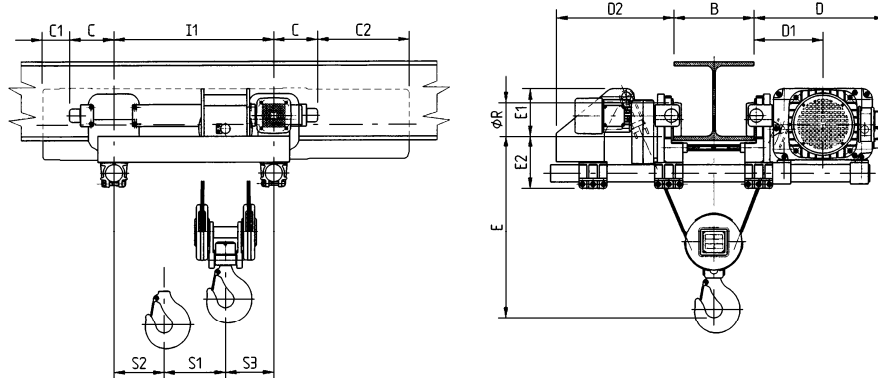
*T in formulas is the exact beam flange width in millimeters.

**Headroom value for 178 mm flange.

Ultra-Low Headroom Trolley Hoists Imperial Dimensions

Capacity (Tons)	Product Code	C (in)	C1 (in)	C2 (in)	D (in)	D1 (in)	D2 (in)	E1 (in)	E2 (in)	I1 (in)	ØR (in)	S1 (in)	S2 (in)	S3 (in)	
2	RH02U-20①4C-②-③	6.7	3.3	11.6	17.3	9.1	15.6	5.9	7.1	20.3	3.94	3.9	10.4	5.9	
	RH02U-29①4C-②-③						14.4					6.3	22.8	6.5	
	RH02U-20①4D-②-③						15.6					3.9	10.4	5.9	
	RH02U-29①4D-②-③						14.4					6.3	22.8	6.5	
	RH02U-39①3A-②-③						15.6					7.3	9.3	3.7	
	RH02U-79①3A-②-③						14.4					10.8	20.5		
3	RH03U-20①4C-②-③	6.7	3.3	11.6	17.3	9.1	15.6	5.9	7.1	20.3	3.94	3.9	10.4	5.9	
	RH03U-29①4C-②-③						14.4					6.3	22.8	6.5	
	RH03U-23①4H-②-③	8.1	2.6	12	19.5	10.2	17.3	7.1	7.7	23.6	4.92	5.3	11.2	7.1	
	RH03U-33①4H-②-③						16.1					39.4	8.3	24	7.9
	RH03U-46①3E-②-③	6.7	3.9	13.4	19.3	10.0	17.7	7.1	7.1	23.6	3.94	8.7	11.0	3.9	
	RH03U-85①3E-②-③						16.5					39.4	12.2		23.2
5	RH05U-23①4G-②-③	8.1	2.6	12.0	19.5	10.2	17.3	7.1	7.7	23.6	4.92	5.3	11.2	7.1	
	RH05U-33①4G-②-③						16.1					39.4	8.3	24.0	7.9
	RH05U-23①4M-②-③	11.4	-3.3	15.6	24.6	13.2	22.8	10.2	10.4	29.1	6.30	6.3	13.4	9.4	
	RH05U-33①4M-②-③						21.7					49.6	9.4	30.7	10.6
	RH05U-46①4J-②-③	8.1	0	18.9	23.8	12.4	24.0	11.8	7.7	29.1	4.92	10.4	13.6	5.1	
	RH05U-92①4J-②-③						22.8					49.6	14.8		29.7
	RH05U-52①4P-②-③	11.4	-2.8	21.5	29.7	15.6	27.0	13.6	10.4	33.9	6.30	11.4	15.7	6.7	
	RH05U-X5①4P-②-③						55.9					15.7	33.5		
7 1/2	RH08U-23①4L-②-③	11.4	-3.3	15.6	24.6	13.2	22.8	10.2	10.4	29.1	6.30	6.3	13.4	9.4	
	RH08U-33①4L-②-③						21.7					49.6	9.4	30.7	10.6
	RH08U-23①3M-②-③						22.8					29.1	6.3	13.4	9.4
	RH08U-33①3M-②-③		21.7	49.6	9.4	30.7	10.6								
	RH08U-52①4N-②-③		-2.8	21.5	29.7	15.6	27.0	13.6	10.4	33.9		6.30	11.4	15.7	6.7
	RH08U-X5①4N-②-③												55.9	15.7	
10	RH10U-23①4L-②-③	11.4	-3.3	15.6	24.6	13.2	22.8	10.2	10.4	29.1	6.30	6.3	13.4	9.4	
	RH10U-33①4L-②-③						21.7					49.6	9.4	30.7	10.6
	RH10U-26①4R-②-③	13.4	-4.7	19.5	30.1	15.9	25.6	13.6	12.0	33.9	7.87	7.1	13.0	13.8	
	RH10U-36①4R-②-③						25.6					55.9	8.7		33.5
	RH10U-52①3N-②-③	11.4	-2.8	21.5	29.7	15.6	27.0	13.6	10.4	33.9	6.30	11.4	15.7	6.7	
	RH10U-X5①3N-②-③						27.0					55.9	15.7		33.5
15*	RH15U-26①4Q-②-③	13.4	-4.7	19.5	30.1	15.9	25.6	13.6	12.0	33.9	7.87	7.1	13.0	13.8	
	RH15U-36①4Q-②-③									55.9		8.7	33.5		
20*	RH20U-26①3Q-②-③	13.4	-4.7	19.5	30.1	15.9	25.6	13.6	12.0	33.9	7.87	7.1	13.0	13.8	
	RH20U-36①3Q-②-③									55.9		8.7	33.5		

*15 and 20 Ton models are equipped with 2 trolley motors.

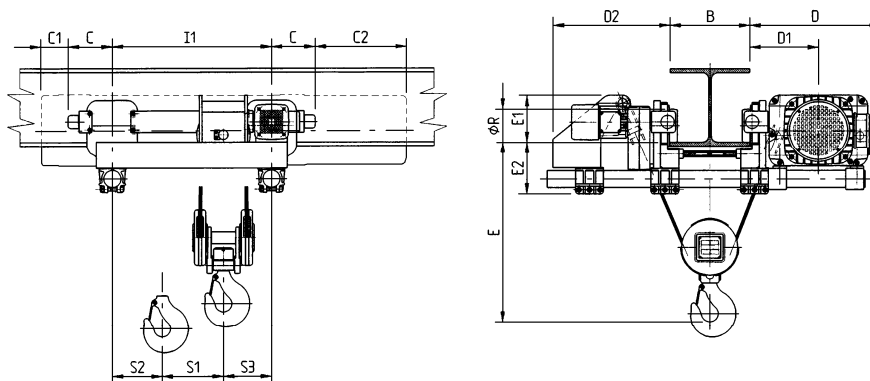


Note:
 ▪ Ultra-Low headroom trolleys are suitable for use on S or W shaped beams.
 ▪ Refer to page 16 for flange range B and headroom E dimension.

Ultra-Low Headroom Trolley Hoists Metric Dimensions

Capacity (Tons)	Product Code	C (mm)	C1 (mm)	C2 (mm)	D (mm)	D1 (mm)	D2 (mm)	E1 (mm)	E2 (mm)	I1 (mm)	ØR (mm)	S1 (mm)	S2 (mm)	S3 (mm)	
2	RH02U-20①4C-②-③	170	85	295	440	230	395	150	180	515	100	100	265	150	
	RH02U-29①4C-②-③						365					160	565	165	
	RH02U-20①4D-②-③						395					100	265	150	
	RH02U-29①4D-②-③						365					160	565	165	
	RH02U-39①3A-②-③						395					185	235	95	
	RH02U-79①3A-②-③						365					275	520		
3	RH03U-20①4C-②-③	170	85	295	440	230	395	150	180	515	100	100	265	150	
	RH03U-29①4C-②-③						365					160	565	165	
	RH03U-23①4H-②-③	205	65	305	495	260	440	180	195	600	125	135	285	180	
	RH03U-33①4H-②-③						410					1000	210	590	200
	RH03U-46①3E-②-③	170	100	340	490	255	450	180	180	600	100	220	280	100	
	RH03U-85①3E-②-③						420					1000	310		590
5	RH05U-23①4G-②-③	205	65	305	495	260	440	180	195	600	125	135	285	180	
	RH05U-33①4G-②-③						410					1000	210	590	200
	RH05U-23①4M-②-③	290	-85	395	625	335	580	260	265	740	160	160	340	240	
	RH05U-33①4M-②-③						550					1260	240	750	270
	RH05U-46①4J-②-③	205	0	480	605	315	610	300	195	740	125	265	345	130	
	RH05U-92①4J-②-③						580					1260	375		755
	RH05U-52①4P-②-③	290	-70	545	755	395	685	345	265	860	160	290	400	170	
RH05U-X5①4P-②-③	1420						400					850			
7 1/2	RH08U-23①4L-②-③	290	-85	395	625	335	580	260	265	740	160	160	340	240	
	RH08U-33①4L-②-③						550					1260	240	750	270
	RH08U-23①3M-②-③						580					740	160	340	240
	RH08U-33①3M-②-③		550	1260	240	750	270								
	RH08U-52①4N-②-③		-70	545	755	395	685	345	265	265	860	160	290	400	170
	RH08U-X5①4N-②-③												1420	400	
10	RH10U-23①4L-②-③	290	-85	395	625	335	580	260	265	740	160	160	340	240	
	RH10U-33①4L-②-③						550					1260	240	750	270
	RH10U-26①4R-②-③	360	-140	475	765	405	650	345	305	860	200	180	330	350	
	RH10U-36①4R-②-③						650					1420	220		850
	RH10U-52①3N-②-③	290	-70	545	755	395	685	345	265	860	160	290	400	170	
	RH10U-X5①3N-②-③						685					1420	400		850
15*	RH15U-26①4Q-②-③	360	-140	475	765	405	650	345	305	860	200	180	330	350	
	RH15U-36①4Q-②-③						650					1420	220		850
20*	RH20U-26①3Q-②-③	360	-140	475	765	405	650	345	305	860	200	180	330	350	
	RH20U-36①3Q-②-③						650					1420	220		850

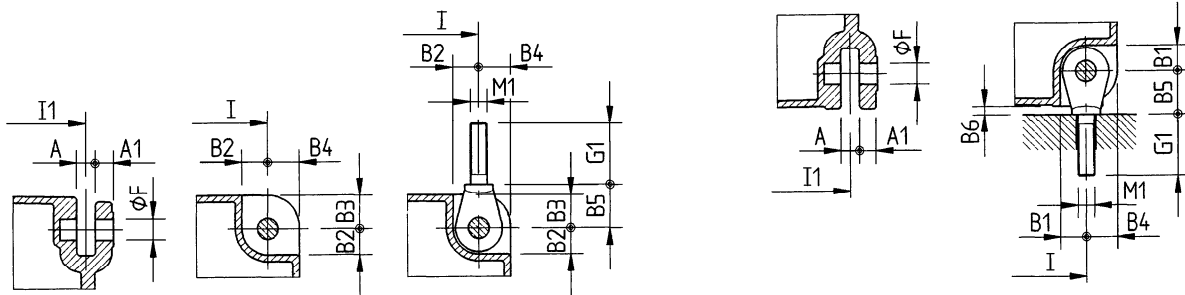
*15 and 20 Ton models are equipped with 2 trolley motors.



Note:
 ▪ Ultra-Low headroom trolleys are suitable for use on S or W shaped beams.
 ▪ Refer to page 16 for flange range B and headroom E dimension.

Eye Bolt and Attachment Point Imperial Dimensions For Deck/Base Mounted or Lug Suspended Hoists

Capacity (Tons)	Product Code	A (in)	A1 (in)	B1 (in)	B2 (in)	B3 (in)	B4 (in)	B5 (in)	Ø F (mm)	G1 (in)	M1 (mm x pitch)
2	RH02D-20Ø4C-2	0.79	0.79	0.83	0.83	1.38	1.38	1.85	20	2.56	M16x2.0
	RH02D-29Ø4C-2										
	RH02D-20Ø4D-2										
	RH02D-29Ø4D-2										
	RH02D-39Ø3A-2										
RH02D-79Ø3A-2											
3	RH03D-20Ø4C-2	0.79	0.79	0.83	0.83	1.38	1.38	1.85	20	2.56	M16x2.0
	RH03D-29Ø4C-2										
	RH03D-23Ø4H-2										
	RH03D-33Ø4H-2										
	RH03D-46Ø3E-2										
RH03D-85Ø3E-2											
5	RH05D-23Ø4G-2	0.87	0.87	1.22	1.22	1.57	1.57	2.05	25	2.76	M20x2.5
	RH05D-33Ø4G-2										
	RH05D-23Ø4M-2	1.26	1.26	1.42	1.42	2.17	2.17	2.83	35	3.66	M24x3.0
	RH05D-33Ø4M-2										
	RH05D-46Ø4J-2										
	RH05D-92Ø4J-2										
RH05D-52Ø4P-2	1.65	1.65	1.50	1.81	2.76	2.76	3.35	45	4.25	M30x3.5	
RH05D-X5Ø4P-2											
7 1/2	RH08D-23Ø4L-2	1.26	1.26	1.42	1.42	2.17	2.17	2.83	35	3.66	M24x3.0
	RH08D-33Ø4L-2										
	RH08D-23Ø3M-2										
	RH08D-33Ø3M-2	1.65	1.65	1.50	1.81	2.76	2.76	3.35	45	4.25	M30x3.5
	RH08D-52Ø4N-2										
RH08D-X5Ø4N-2											
10	RH10D-23Ø4L-2	1.26	1.26	1.42	1.42	2.17	2.17	2.83	35	3.66	M24x3.0
	RH10D-33Ø4L-2										
	RH10D-26Ø4R-2										
	RH10D-36Ø4R-2	1.65	1.65	1.50	1.81	2.76	2.76	3.35	45	4.25	M30x3.5
	RH10D-52Ø3N-2										
RH10D-X5Ø3N-2											
15	RH15D-26Ø4Q-2	1.65	1.65	1.50	1.81	2.76	2.76	3.35	45	4.25	M30x3.5
	RH15D-36Ø4Q-2										
20	RH20D-26Ø3Q-2	1.65	1.65	1.50	1.81	2.76	2.76	3.35	45	4.25	M30x3.5
	RH20D-36Ø3Q-2										

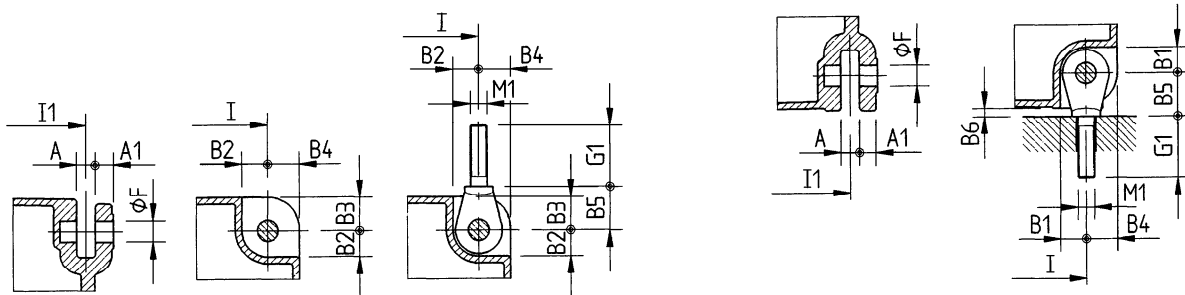


Note:

- Eye bolts are suitable for deck/base mounted or lug suspended applications.
- Eye bolt kits include four eyebolts and all necessary hardware.
- See page 4 for dimensions I and I1.

Eye Bolt and Attachment Point Metric Dimensions For Deck/Base Mounted or Lug Suspended Hoists

Capacity (Tons)	Product Code	A (mm)	A1 (mm)	B1 (mm)	B2 (mm)	B3 (mm)	B4 (mm)	B5 (mm)	Ø F (mm)	G1 (mm)	M1 (mm x pitch)
2	RH02D-20⓪4C-Ⓣ	20	20	21	21	35	35	50	20	65	M16x2.0
	RH02D-29⓪4C-Ⓣ										
	RH02D-20⓪4D-Ⓣ										
	RH02D-29⓪4D-Ⓣ										
	RH02D-39⓪3A-Ⓣ										
RH02D-79⓪3A-Ⓣ											
3	RH03D-20⓪4C-Ⓣ	20	20	21	21	35	35	50	20	65	M16x2.0
	RH03D-29⓪4C-Ⓣ										
	RH03D-23⓪4H-Ⓣ										
	RH03D-33⓪4H-Ⓣ										
	RH03D-46⓪3E-Ⓣ										
RH03D-85⓪3E-Ⓣ											
5	RH05D-23⓪4G-Ⓣ	22	22	31	31	40	40	55	25	70	M20x2.5
	RH05D-33⓪4G-Ⓣ										
	RH05D-23⓪4M-Ⓣ	32	32	36	36	55	55	76	35	93	M24x3.0
	RH05D-33⓪4M-Ⓣ										
	RH05D-46⓪4J-Ⓣ										
	RH05D-92⓪4J-Ⓣ										
RH05D-52⓪4P-Ⓣ	42	42	38	46	70	70	89	45	108	M30x3.5	
RH05D-X5⓪4P-Ⓣ											
7 1/2	RH08D-23⓪4L-Ⓣ	32	32	36	36	55	55	76	35	93	M24x3.0
	RH08D-33⓪4L-Ⓣ										
	RH08D-23⓪3M-Ⓣ										
	RH08D-33⓪3M-Ⓣ	42	42	38	46	70	70	89	45	108	M30x3.5
	RH08D-52⓪4N-Ⓣ										
RH08D-X5⓪4N-Ⓣ											
10	RH10D-23⓪4L-Ⓣ	32	32	36	36	55	55	76	35	93	M24x3.0
	RH10D-33⓪4L-Ⓣ										
	RH10D-26⓪4R-Ⓣ	42	42	38	46	70	70	89	45	108	M30x3.5
	RH10D-36⓪4R-Ⓣ										
	RH10D-52⓪3N-Ⓣ										
RH10D-X5⓪3N-Ⓣ											
15	RH15D-26⓪4Q-Ⓣ	42	42	38	46	70	70	89	45	108	M30x3.5
	RH15D-36⓪4Q-Ⓣ										
20	RH20D-26⓪3Q-Ⓣ	42	42	38	46	70	70	89	45	108	M30x3.5
	RH20D-36⓪3Q-Ⓣ										

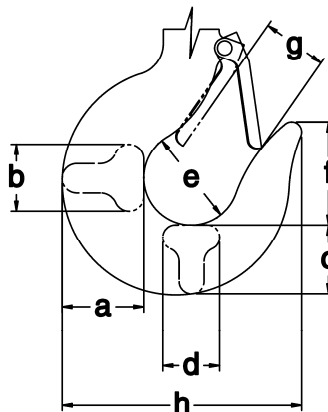


Note:

- Eye bolts are suitable for deck/base mounted or lug suspended applications.
- Eye bolt kits include four eyebolts and all necessary hardware.
- See page 5 for dimensions I and I1.

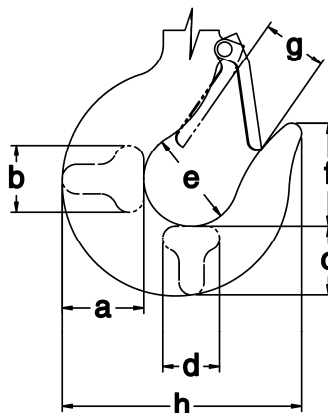
Bottom Hook Imperial Dimensions

Capacity (Tons)	Product Code	a (in)	b (in)	c (in)	d (in)	e (in)	f (in)	g (in)	h (in)
2	RH02D-20 ①4C-②	2.2	1.8	1.9	1.5	2.2	2.5	1.5	5.7
	RH02D-29 ①4C-②								
	RH02D-20 ①4D-②								
	RH02D-29 ①4D-②								
	RH02D-39 ①3A-②	1.7	1.4	1.5	1.1	1.9	2.1	1.3	4.7
	RH02D-79 ①3A-②								
3	RH03D-20 ①4C-②	2.2	1.8	1.9	1.5	2.2	2.5	1.5	5.7
	RH03D-29 ①4C-②								
	RH03D-23 ①4H-②	2.6	2.1	2.3	1.8	2.5	2.8	1.7	6.7
	RH03D-33 ①4H-②								
	RH03D-46 ①3E-②	2.2	1.8	1.9	1.5	2.2	2.5	1.5	5.7
	RH03D-85 ①3E-②								
5	RH05D-23 ①4G-②	2.6	2.1	2.3	1.8	2.5	2.8	1.7	6.7
	RH05D-33 ①4G-②								
	RH05D-23 ①4M-②	3.5	2.8	3.0	2.4	3.1	3.5	2.0	8.9
	RH05D-33 ①4M-②								
	RH05D-46 ①4J-②	2.6	2.1	2.3	1.8	2.5	2.8	1.7	6.7
	RH05D-92 ①4J-②								
	RH05D-52 ①4P-②	3.5	2.8	3.0	2.4	3.1	3.5	2.0	8.9
RH05D-X5 ①4P-②									
7 1/2	RH08D-23 ①4L-②	3.5	2.8	3.0	2.4	3.1	3.5	2.0	8.9
	RH08D-33 ①4L-②								
	RH08D-23 ①3M-②								
	RH08D-33 ①3M-②								
	RH08D-52 ①4N-②								
	RH08D-X5 ①4N-②								
10	RH10D-23 ①4L-②	3.5	2.8	3.0	2.4	3.1	3.5	2.0	8.9
	RH10D-33 ①4L-②								
	RH10D-26 ①4R-②	4.9	3.9	4.2	3.3	4.4	5.0	3.0	12.7
	RH10D-36 ①4R-②								
	RH10D-52 ①3N-②	3.5	2.8	3.0	2.4	3.1	3.5	2.0	8.9
RH10D-X5 ①3N-②									
15	RH15D-26 ①4Q-②	4.9	3.9	4.2	3.3	4.4	5.0	3.0	12.7
	RH15D-36 ①4Q-②								
20	RH20D-26 ①3Q-②	4.9	3.9	4.2	3.3	4.4	5.0	3.0	12.7
	RH20D-36 ①3Q-②								



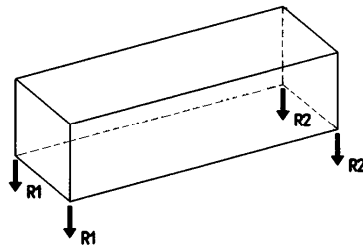
Bottom Hook Metric Dimensions

Capacity (Tons)	Product Code	a (mm)	b (mm)	c (mm)	d (mm)	e (mm)	f (mm)	g (mm)	h (mm)	
2	RH02D-20①4C-②	56	46	48	38	56	64	38	145	
	RH02D-29①4C-②									
	RH02D-20①4D-②	43	36	38	28	48	53	33	120	
	RH02D-29①4D-②									
	3	RH03D-20①4C-②	56	46	48	38	56	64	38	145
		RH03D-29①4C-②								
RH03D-23①4H-②		66	53	58	46	64	71	43	170	
RH03D-33①4H-②										
RH03D-46①3E-②		56	46	48	38	56	64	38	145	
RH03D-85①3E-②										
5	RH05D-23①4G-②	66	53	58	46	64	71	43	170	
	RH05D-33①4G-②									
	RH05D-23①4M-②	89	71	76	61	79	89	51	226	
	RH05D-33①4M-②									
	RH05D-46①4J-②	66	53	58	46	64	71	43	170	
	RH05D-92①4J-②									
	RH05D-52①4P-②	89	71	76	61	79	89	51	226	
	RH05D-X5①4P-②									
7 1/2	RH08D-23①4L-②	89	71	76	61	79	89	51	226	
	RH08D-33①4L-②									
	RH08D-23①3M-②									
	RH08D-33①3M-②									
	RH08D-52①4N-②									
	RH08D-X5①4N-②									
10	RH10D-23①4L-②	89	71	76	61	79	89	51	226	
	RH10D-33①4L-②									
	RH10D-26①4R-②	125	100	107	84	112	127	76	323	
	RH10D-36①4R-②									
	RH10D-52①3N-②	89	71	76	61	79	89	51	226	
RH10D-X5①3N-②										
15	RH15D-26①4Q-②	125	100	107	84	112	127	76	323	
	RH15D-36①4Q-②									
20	RH20D-26①3Q-②	125	100	107	84	112	127	76	323	
	RH20D-36①3Q-②									

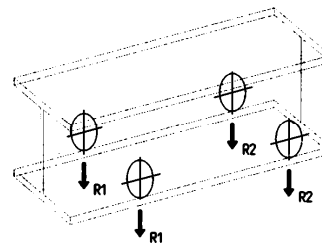


Reaction Forces at Rated Load - Imperial

Capacity (Tons)	Deck/Base Mounted or Lug Suspended Attachment Point Reaction Forces			Standard Headroom Trolley Wheel Reaction Forces			Ultra- Low Headroom Trolley Wheel Reaction Forces		
	Product Code	R1 (lbs)	R2 (lbs)	Product Code	R1 (lbs)	R2 (lbs)	Product Code	R1 (lbs)	R2 (lbs)
2	RH02D-20①4C-②	1483	683	RH02S-20①4C-②-③	1600	665	RH02U-20①4C-②-③	1659	694
	RH02D-29①4C-②	1734	454	RH02S-29①4C-②-③	1826	461	RH02U-29①4C-②-③	1887	487
	RH02D-20①4D-②	1483	683	RH02S-20①4D-②-③	1600	665	RH02U-20①4D-②-③	1659	694
	RH02D-29①4D-②	1734	454	RH02S-29①4D-②-③	1826	461	RH02U-29①4D-②-③	1887	487
	RH02D-39①3A-②	1758	398	RH02S-39①3A-②-③	1854	401	RH02U-39①3A-②-③	1931	411
3	RH02D-79①3A-②	1928	248	RH02S-79①3A-②-③	2025	250	RH02U-79①3A-②-③	2104	259
	RH03D-20①4C-②	2183	983	RH03S-20①4C-②-③	2334	931	RH03U-20①4C-②-③	2400	953
	RH03D-29①4C-②	2554	634	RH03S-29①4C-②-③	2667	620	RH03U-29①4C-②-③	2737	637
	RH03D-23①4H-②	2213	1013	RH03S-23①4H-②-③	2297	1067	RH03U-23①4H-②-③	2405	1113
	RH03D-33①4H-②	2589	669	RH03S-33①4H-②-③	2650	747	RH03U-33①4H-②-③	2760	791
5	RH03D-46①3E-②	5627	587	RH03S-46①3E-②-③	2652	656	RH03U-46①3E-②-③	2881	565
	RH03D-85①3E-②	2878	358	RH03S-85①3E-②-③	2896	440	RH03U-85①3E-②-③	3105	369
	RH05D-23①4G-②	3613	1613	RH05S-23①4G-②-③	3707	1657	RH05U-23①4G-②-③	3836	1682
	RH05D-33①4G-②	4229	1029	RH05S-33①4G-②-③	4284	1112	RH05U-33①4G-②-③	4417	1135
	RH05D-23①4M-②	3798	1798	RH05S-23①4M-②-③	4004	1954	RH05U-23①4M-②-③	4233	2079
	RH05D-33①4M-②	4444	1244	RH05S-33①4M-②-③	4607	1435	RH05U-33①4M-②-③	4844	1562
	RH05D-46①4J-②	4470	1070	RH05S-46①4J-②-③	4671	1017	RH05U-46①4J-②-③	4929	1079
	RH05D-92①4J-②	4911	711	RH05S-92①4J-②-③	5102	670	RH05U-92①4J-②-③	5345	745
7 1/2	RH05D-52①4P-②	4690	1290	RH05S-52①4P-②-③	4937	1407	RH05U-52①4P-②-③	5345	1589
	RH05D-X5①4P-②	5157	957	RH05S-X5①4P-②-③	5418	1058	RH05U-X5①4P-②-③	5861	1261
	RH08D-23①4L-②	5548	2548	RH08S-23①4L-②-③	5767	2692	RH08U-23①4L-②-③	6022	2791
	RH08D-33①4L-②	6494	1694	RH08S-33①4L-②-③	6650	1892	RH08U-33①4L-②-③	6915	1992
	RH08D-23①3M-②	5548	2548	RH08S-23①3M-②-③	5767	2692	RH08U-23①3M-②-③	6022	2791
	RH08D-33①3M-②	6494	1694	RH08S-33①3M-②-③	6650	1892	RH08U-33①3M-②-③	6915	1992
	RH08D-52①4N-②	6790	1690	RH08S-52①4N-②-③	7070	1910	RH08U-52①4N-②-③	7534	1900
10	RH08D-X5①4N-②	7457	1157	RH08S-X5①4N-②-③	7758	1218	RH08U-X5①4N-②-③	8261	1361
	RH10D-23①4L-②	7298	3298	RH10S-23①4L-②-③	7529	3429	RH10U-23①4L-②-③	7810	3502
	RH10D-33①4L-②	8544	2144	RH10S-33①4L-②-③	8693	2349	RH10U-33①4L-②-③	8985	2421
	RH10D-26①4R-②	7551	3551	RH10S-26①4R-②-③	7666	4010	RH10U-26①4R-②-③	8132	4220
	RH10D-36①4R-②	8828	2428	RH10S-36①4R-②-③	9147	2683	RH10U-36①4R-②-③	9666	2918
15	RH10D-52①3N-②	8890	2090	RH10S-52①3N-②-③	9202	2412	RH10U-52①3N-②-③	9723	2211
	RH10D-X5①3N-②	9757	1357	RH10S-X5①3N-②-③	10098	1378	RH10U-X5①3N-②-③	10661	1461
	RH15D-26①4Q-②	11051	5051	RH15S-26①4Q-②-③	11080	5596	RH15U-26①4Q-②-③	11610	5742
20	RH15D-36①4Q-②	12928	3328	RH15S-36①4Q-②-③	13263	3567	RH15U-36①4Q-②-③	13853	3731
	RH20D-26①3Q-②	14551	6551	RH20S-26①3Q-②-③	14494	7182	RH20U-26①3Q-②-③	15088	7264
	RH20D-36①3Q-②	17028	4228	RH20S-36①3Q-②-③	17379	4451	RH20U-36①3Q-②-③	18040	4544



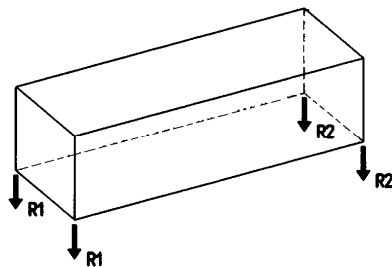
Deck/Base Mounted or Lug Suspended Hoists



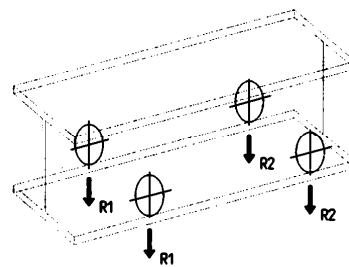
Standard or Ultra-Low or Headroom Trolley Hoist

Reaction Forces at Rated Load – Metric

Capacity (Tons)	Deck/Base Mounted or Lug Suspended Attachment Point Reaction Forces			Standard Headroom Trolley Wheel Reaction Forces			Ultra- Low Headroom Trolley Wheel Reaction Forces		
	Product Code	R1 (Kg)	R2 (Kg)	Product Code	R1 (Kg)	R2 (Kg)	Product Code	R1 (Kg)	R2 (Kg)
2	RH02D-20①4C-②	759	316	RH02S-20①4C-②-③	789	331	RH02U-20①4C-②-③	815	344
	RH02D-29①4C-②	871	213	RH02S-29①4C-②-③	901	229	RH02U-29①4C-②-③	928	241
	RH02D-20①4D-②	759	316	RH02S-20①4D-②-③	789	331	RH02U-20①4D-②-③	815	344
	RH02D-29①4D-②	871	213	RH02S-29①4D-②-③	901	229	RH02U-29①4D-②-③	928	241
	RH02D-39①3A-②	863	207	RH02S-39①3A-②-③	893	222	RH02U-39①3A-②-③	919	236
	RH02D-79①3A-②	946	133	RH02S-79①3A-②-③	976	149	RH02U-79①3A-②-③	1003	162
3	RH03D-20①4C-②	1110	460	RH03S-20①4C-②-③	1138	474	RH03U-20①4C-②-③	1163	487
	RH03D-29①4C-②	1275	304	RH03S-29①4C-②-③	1303	319	RH03U-29①4C-②-③	1328	330
	RH03D-23①4H-②	1114	482	RH03S-23①4H-②-③	1153	502	RH03U-23①4H-②-③	1196	523
	RH03D-33①4H-②	1273	337	RH03S-33①4H-②-③	1313	356	RH03U-33①4H-②-③	1356	378
	RH03D-46①3E-②	1309	280	RH03S-46①3E-②-③	1337	293	RH03U-46①3E-②-③	1376	313
	RH03D-85①3E-②	1418	184	RH03S-85①3E-②-③	1445	198	RH03U-85①3E-②-③	1484	218
5	RH05D-23①4G-②	1818	784	RH05S-23①4G-②-③	1860	805	RH05U-23①4G-②-③	1906	828
	RH05D-33①4G-②	2078	539	RH05S-33①4G-②-③	2120	560	RH05U-33①4G-②-③	2166	583
	RH05D-23①4M-②	1870	900	RH05S-23①4M-②-③	1980	955	RH05U-23①4M-②-③	2086	1008
	RH05D-33①4M-②	2172	640	RH05S-33①4M-②-③	2279	694	RH05U-33①4M-②-③	2389	748
	RH05D-46①4J-②	2224	521	RH05S-46①4J-②-③	2269	543	RH05U-46①4J-②-③	2366	591
	RH05D-92①4J-②	2430	352	RH05S-92①4J-②-③	2475	374	RH05U-92①4J-②-③	2572	423
	RH05D-52①4P-②	2302	642	RH05S-52①4P-②-③	2412	697	RH05U-52①4P-②-③	2591	786
	RH05D-X5①4P-②	2536	468	RH05S-X5①4P-②-③	2646	523	RH05U-X5①4P-②-③	2481	620
7 1/2	RH08D-23①4L-②	2702	1301	RH08S-23①4L-②-③	2805	1353	RH08U-23①4L-②-③	2904	1403
	RH08D-33①4L-②	3142	901	RH08S-33①4L-②-③	3242	952	RH08U-33①4L-②-③	3345	1002
	RH08D-23①3M-②	2702	1301	RH08S-23①3M-②-③	2805	1353	RH08U-23①3M-②-③	2904	1403
	RH08D-33①3M-②	3142	901	RH08S-33①3M-②-③	3242	952	RH08U-33①3M-②-③	3345	1002
	RH08D-52①4N-②	3286	880	RH08S-52①4N-②-③	3389	932	RH08U-52①4N-②-③	3558	1015
	RH08D-X5①4N-②	3616	607	RH08S-X5①4N-②-③	3719	658	RH08U-X5①4N-②-③	3902	749
10	RH10D-23①4L-②	3558	1712	RH10S-23①4L-②-③	3668	1767	RH10U-23①4L-②-③	3774	1820
	RH10D-33①4L-②	4137	1175	RH10S-33①4L-②-③	4244	1229	RH10U-33①4L-②-③	4354	1283
	RH10D-26①4R-②	3589	1910	RH10S-26①4R-②-③	3762	1998	RH10U-26①4R-②-③	3967	2099
	RH10D-36①4R-②	4324	1246	RH10S-36①4R-②-③	4497	1333	RH10U-36①4R-②-③	4725	1446
	RH10D-52①3N-②	4308	1136	RH10S-52①3N-②-③	4418	1191	RH10U-52①3N-②-③	4597	1280
	RH10D-X5①3N-②	4736	768	RH10S-X5①3N-②-③	4846	823	RH10U-X5①3N-②-③	5042	920
15	RH15D-26①4Q-②	5197	2771	RH15S-26①4Q-②-③	5359	2854	RH15U-26①4Q-②-③	5551	2948
	RH15D-36①4Q-②	6272	1763	RH15S-36①4Q-②-③	6434	1843	RH15U-36①4Q-②-③	6648	1950
20	RH20D-26①3Q-②	6845	3654	RH20S-26①3Q-②-③	7018	3742	RH20U-26①3Q-②-③	7223	3843
	RH20D-36①3Q-②	8268	2302	RH20S-36①3Q-②-③	8441	2388	RH20U-36①3Q-②-③	8669	2502



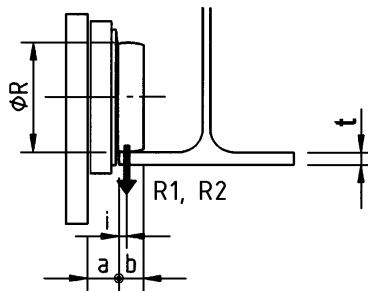
Deck/Base Mounted or Lug Suspended Hoists



Standard or Ultra-Low or Headroom Trolley Hoist

Trolley Wheel Dimensions – Imperial

Capacity (Tons)	Product Code		a (in)	b (in)	i (in)	Wheel Dia. Ø R (in)	Maximum Flange Thickness t (in)
	Standard Headroom	Ultra-Low Headroom					
2	RH02S-20①4C-②-③	RH02U-20①4C-②-③	1.38	0.71	0.31	3.94	0.79
	RH02S-29①4C-②-③	RH02U-29①4C-②-③					
	RH02S-20①4D-②-③	RH02U-20①4D-②-③					
	RH02S-29①4D-②-③	RH02U-29①4D-②-③					
	RH02S-39①3A-②-③	RH02U-39①3A-②-③					
	RH02S-79①3A-②-③	RH02U-79①3A-②-③					
3	RH03S-20①4C-②-③	RH03U-20①4C-②-③	1.38	0.71	0.31	3.94	0.79
	RH03S-29①4C-②-③	RH03U-29①4C-②-③		1.14	0.47	4.92	0.91
	RH03S-23①4H-②-③	RH03U-23①4H-②-③					
	RH03S-33①4H-②-③	RH03U-33①4H-②-③		0.71	0.31	3.94	0.79
	RH03S-46①3E-②-③	RH03U-46①3E-②-③					
	RH03S-85①3E-②-③	RH03U-85①3E-②-③					
5	RH05S-23①4G-②-③	RH05U-23①4G-②-③	1.38	1.14	0.47	4.92	0.91
	RH05S-33①4G-②-③	RH05U-33①4G-②-③	1.77	1.50	0.75	6.30	1.38
	RH05S-23①4M-②-③	RH05U-23①4M-②-③					
	RH05S-33①4M-②-③	RH05U-33①4M-②-③	1.38	1.14	0.47	4.92	0.91
	RH05S-46①4J-②-③	RH05U-46①4J-②-③					
	RH05S-92①4J-②-③	RH05U-92①4J-②-③	1.77	1.50	0.75	6.30	1.38
	RH05S-52①4P-②-③	RH05U-52①4P-②-③					
RH05S-X5①4P-②-③	RH05U-X5①4P-②-③						
7 1/2	RH08S-23①4L-②-③	RH08U-23①4L-②-③	1.77	1.50	0.75	6.30	1.38
	RH08S-33①4L-②-③	RH08U-33①4L-②-③					
	RH08S-23①3M-②-③	RH08U-23①3M-②-③					
	RH08S-33①3M-②-③	RH08U-33①3M-②-③					
	RH08S-52①4N-②-③	RH08U-52①4N-②-③					
	RH08S-X5①4N-②-③	RH08U-X5①4N-②-③					
10	RH10S-23①4L-②-③	RH10U-23①4L-②-③	1.77	1.50	0.75	6.30	1.38
	RH10S-33①4L-②-③	RH10U-33①4L-②-③	1.97	1.69	0.87	7.87	1.61
	RH10S-26①4R-②-③	RH10U-26①4R-②-③					
	RH10S-36①4R-②-③	RH10U-36①4R-②-③	1.77	1.50	0.75	6.30	1.38
	RH10S-52①3N-②-③	RH10U-52①3N-②-③					
	RH10S-X5①3N-②-③	RH10U-X5①3N-②-③					
15	RH15S-26①4Q-②-③	RH15U-26①4Q-②-③	1.97	1.69	0.87	7.87	1.61
	RH15S-36①4Q-②-③	RH15U-36①4Q-②-③					
20	RH20S-26①3Q-②-③	RH20U-26①3Q-②-③	1.97	1.69	0.87	7.87	1.61
	RH20S-36①3Q-②-③	RH20U-36①3Q-②-③					

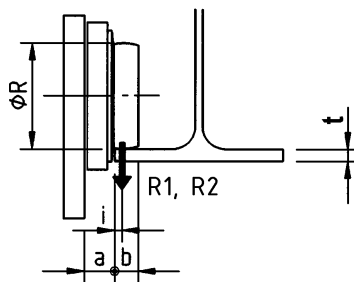


Note:

- See page 23 for reaction forces R1 and R2.

Trolley Wheel Dimensions - Metric

Capacity (Tons)	Product Code		a (mm)	b (mm)	i (mm)	Wheel Dia. Ø R (mm)	Maximum Flange Thickness t (mm)
	Standard Headroom	Ultra-Low Headroom					
2	RH02S-20①4C-②-③	RH02U-20①4C-②-③	35	18	8	100	20
	RH02S-29①4C-②-③	RH02U-29①4C-②-③					
	RH02S-20①4D-②-③	RH02U-20①4D-②-③					
	RH02S-29①4D-②-③	RH02U-29①4D-②-③					
	RH02S-39①3A-②-③	RH02U-39①3A-②-③					
	RH02S-79①3A-②-③	RH02U-79①3A-②-③					
3	RH03S-20①4C-②-③	RH03U-20①4C-②-③	35	18	8	100	20
	RH03S-29①4C-②-③	RH03U-29①4C-②-③		29	12	125	23
	RH03S-23①4H-②-③	RH03U-23①4H-②-③					
	RH03S-33①4H-②-③	RH03U-33①4H-②-③		18	8	100	20
	RH03S-46①3E-②-③	RH03U-46①3E-②-③					
	RH03S-85①3E-②-③	RH03U-85①3E-②-③					
5	RH05S-23①4G-②-③	RH05U-23①4G-②-③	35	29	12	125	23
	RH05S-33①4G-②-③	RH05U-33①4G-②-③	45	38	19	60	35
	RH05S-23①4M-②-③	RH05U-23①4M-②-③					
	RH05S-33①4M-②-③	RH05U-33①4M-②-③	35	29	12	125	23
	RH05S-46①4J-②-③	RH05U-46①4J-②-③					
	RH05S-92①4J-②-③	RH05U-92①4J-②-③	45	38	19	160	35
	RH05S-52①4P-②-③	RH05U-52①4P-②-③					
	RH05S-X5①4P-②-③	RH05U-X5①4P-②-③					
7 1/2	RH08S-23①4L-②-③	RH08U-23①4L-②-③	45	38	19	160	35
	RH08S-33①4L-②-③	RH08U-33①4L-②-③					
	RH08S-23①3M-②-③	RH08U-23①3M-②-③					
	RH08S-33①3M-②-③	RH08U-33①3M-②-③					
	RH08S-52①4N-②-③	RH08U-52①4N-②-③					
	RH08S-X5①4N-②-③	RH08U-X5①4N-②-③					
10	RH10S-23①4L-②-③	RH10U-23①4L-②-③	45	38	19	160	35
	RH10S-33①4L-②-③	RH10U-33①4L-②-③	50	43	22	200	41
	RH10S-26①4R-②-③	RH10U-26①4R-②-③					
	RH10S-36①4R-②-③	RH10U-36①4R-②-③	45	38	19	160	35
	RH10S-52①3N-②-③	RH10U-52①3N-②-③					
	RH10S-X5①3N-②-③	RH10U-X5①3N-②-③					
15	RH15S-26①4Q-②-③	RH15U-26①4Q-②-③	50	43	22	200	41
	RH15S-36①4Q-②-③	RH15U-36①4Q-②-③					
20	RH20S-26①3Q-②-③	RH20U-26①3Q-②-③	50	43	22	200	41
	RH20S-36①3Q-②-③	RH20U-36①3Q-②-③					



Note:
 ▪ See page 24 for reaction forces R1 and R2.