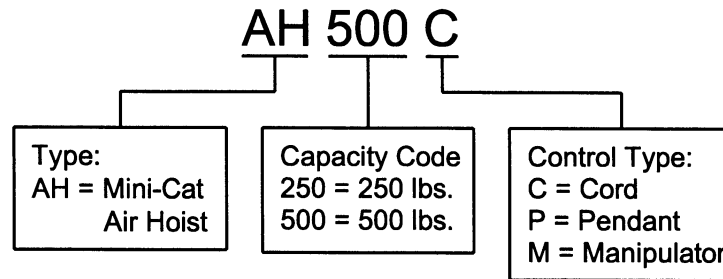


Product Code:



Features:

- WEIGHT/SIZE – Light weight and compact size: Cord model with 10 feet of lift weighs 15.2 lbs.
- MOTOR BRAKE – Reliable disc brake system
- HIGH SPEED LIFTING – 29 to 47 ft/min. with load
- LOW NOISE LEVELS – 76 dBA @ 1 meter when lifting rated load
82 dBA @ 1 meter when lowering rated load
- VALVE SECTION – Valve made from aluminum reduces effects of corrosion
- COMPATIBILITY – Fits existing Harrington trolleys; uses existing EDII load chain
- OPERATING ENVIRONMENT – Temperature range +14° to 140°F
- DUTY RATING – High duty cycle

AH Mini-Cat Air Hoist – Imperial General Specifications:

Capacity (lbs.)	Product Code	Headroom (in)	Standard Lift (ft)	Load Chain Dia. (mm) x Chain Fall Lines	Net Weight with Standard lift (lbs.)	Weight for Additional One Foot of Lift (lbs.)
250	AH250C	12.0	10	4 x 1	15	0.26
500	AH500C	12.0	10	4 x 1	15	0.26
250	AH250P	12.0	10	4 x 1	19	0.49
500	AH500P	12.0	10	4 x 1	19	0.49
250	AH250M	33.0	6.5	4 x 1	24	0.47
500	AH500M	33.0	6.5	4 x 1	24	0.47

- Lift: 10 ft standard, 131 ft maximum on C and P models, 13 ft maximum on M models
- Air lubrication requirements: Minimum of 10 to 15 drops per minute (2-3 cc/min) of oil
- Air filtration requirement: Maximum 5 micron air filter or finer.
- Air supply pressure: 60 to 90 psi.
- Air consumption: 19 to 34 cubic feet per minute.
- Air inlet port size: 3/8 inch NPT
- Minimum supply hose size: 3/8 inch

Imperial Cord Model

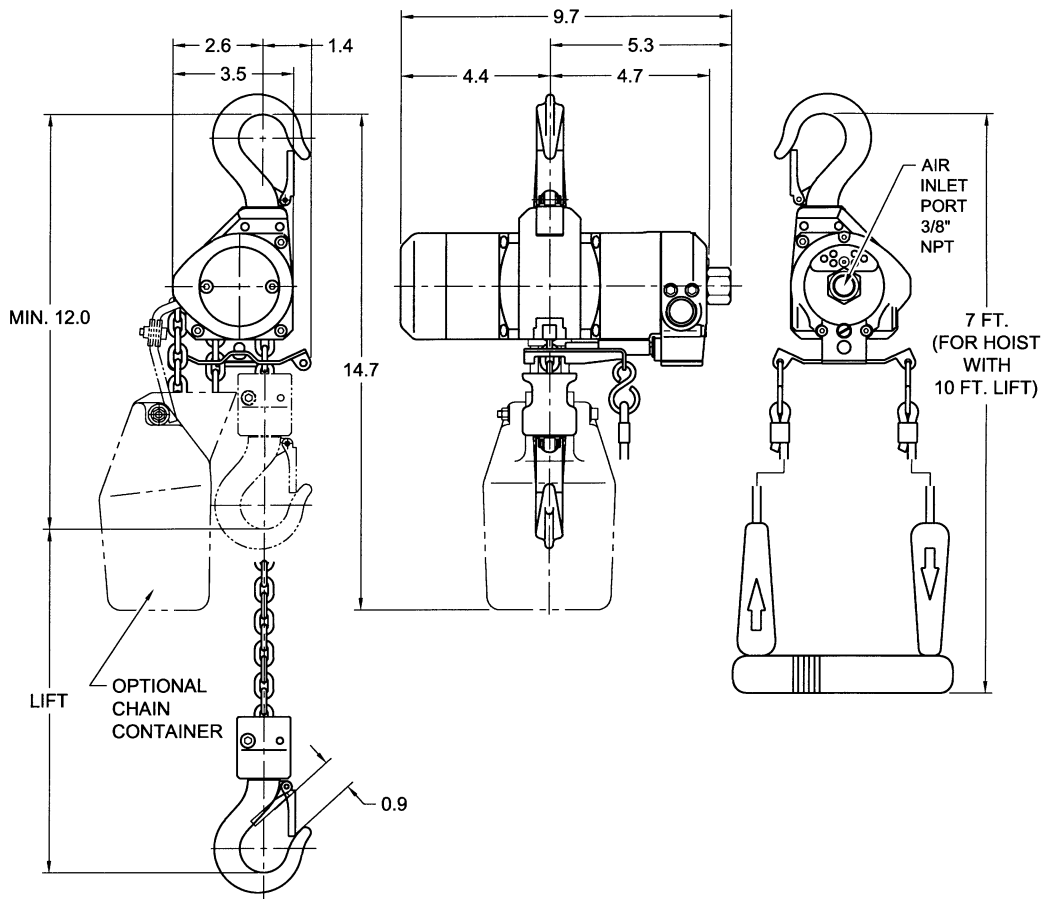
Speeds – ft/min at 90 psi:

Capacity (lbs.)	Product Code	UP		DOWN	
		Full Load	No Load	Full Load	No Load
250	AH250C	47 (37)	61 (53)	51 (47)	45 (40)
500	AH500C	32 (20)	61 (53)	56 (54)	45 (40)

Air Consumption – cfm at 90 psi:

Capacity (lbs.)	Product Code	UP		DOWN	
		Full Load	No Load	Full Load	No Load
250	AH250C	32 (24)	34 (27)	30 (24)	28 (23)
500	AH500C	29 (21)	34 (27)	32 (26)	28 (23)

Values in parentheses for air supply at 60 psi.



Dimensions for Cord Model Mini-Cat Air Hoist (inches)

Imperial Pendant Model

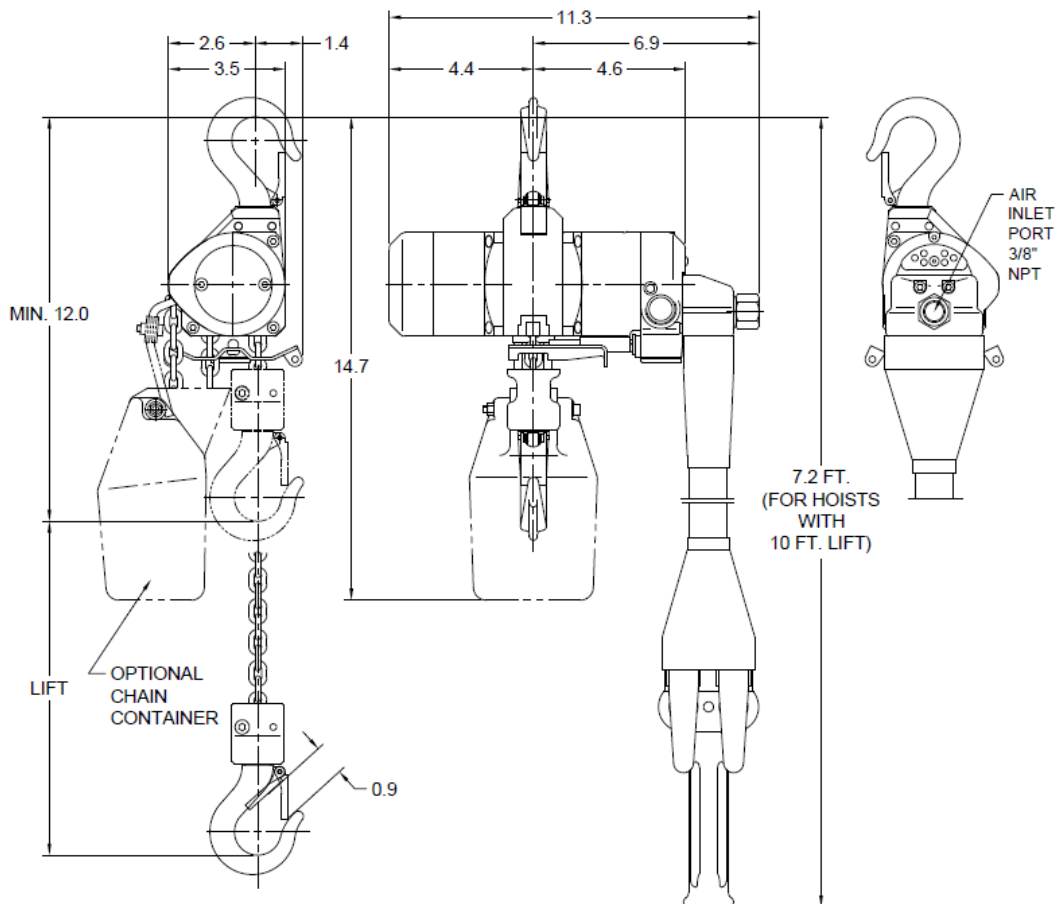
Speeds – ft/min at 90 psi:

Capacity (lbs.)	Product Code	UP		DOWN	
		Full Load	No Load	Full Load	No Load
250	AH250P	42 (33)	55 (48)	48 (45)	43 (38)
500	AH500P	29 (18)	55 (48)	53 (51)	43 (38)

Air Consumption – cfm at 90 psi:

Capacity (lbs.)	Product Code	UP		DOWN	
		Full Load	No Load	Full Load	No Load
250	AH250P	28 (21)	31 (24)	27 (21)	26 (20)
500	AH500P	26 (19)	31 (24)	28 (22)	26 (20)

Values in parentheses for air supply at 60 psi.



Dimensions for Pendant Model Mini-Cat Air Hoist (inches)

Imperial Manipulator Model

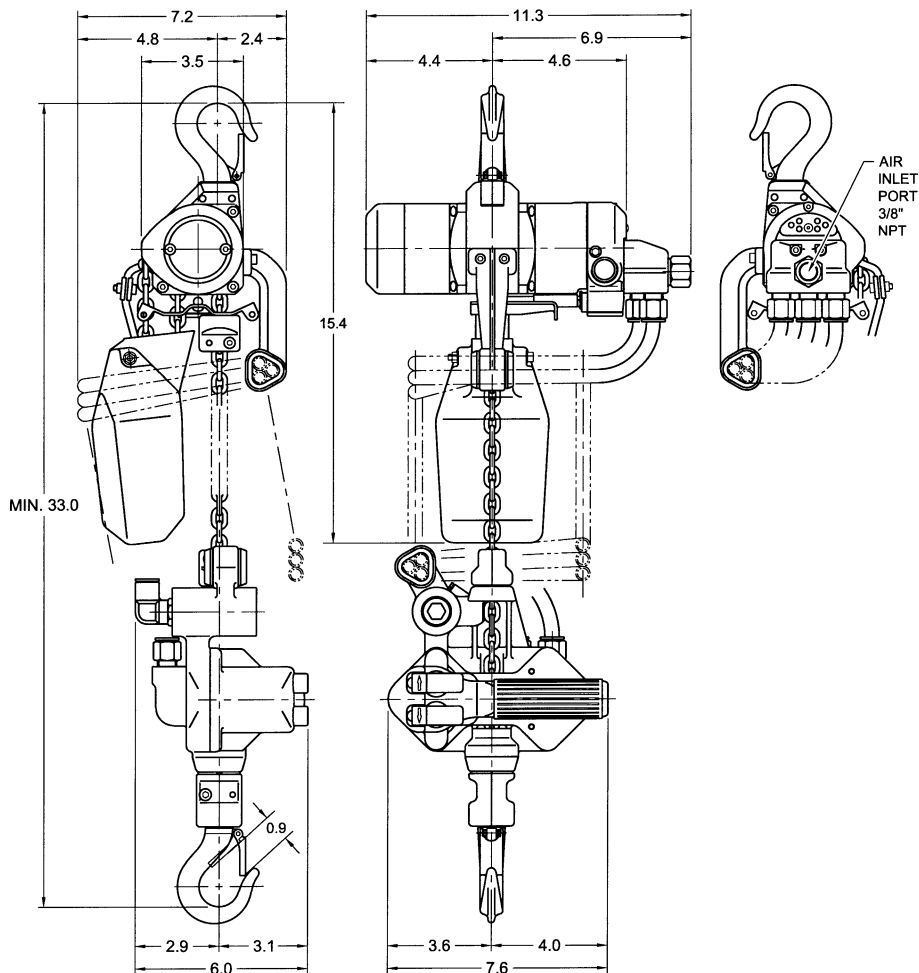
Speeds – ft/min at 90 psi:

Capacity (lbs.)	Product Code	UP		DOWN	
		Full Load	No Load	Full Load	No Load
250	AH250M	41 (32)	54 (47)	47 (44)	42 (37)
500	AH500M	29 (18)	54 (47)	53 (50)	42 (37)

Air Consumption – cfm at 90 psi:

Capacity (lbs.)	Product Code	UP		DOWN	
		Full Load	No Load	Full Load	No Load
250	AH250M	28 (21)	31 (24)	27 (21)	26 (20)
500	AH500M	26 (19)	31 (24)	28 (22)	26 (20)

Values in parentheses for air supply at 60 psi.



Dimensions for Manipulator Model Mini-Cat Air Hoist (inches)

Features:

- WEIGHT/SIZE – Light weight and compact size: Cord model with 3.0 m of lift weighs 6.9 kg.
- MOTOR BRAKE – Reliable disc brake system
- HIGH SPEED LIFTING – 8.8 to 14.3 m/min. with load
- LOW NOISE LEVELS – 76 dBA @ 1 meter when lifting rated load
 82 dBA @ 1 meter when lowering rated load
- VALVE SECTION – Valve made from aluminum reduces effects of corrosion
- COMPATIBILITY – Fits existing Harrington trolleys; uses existing EDII load chain
- OPERATING ENVIRONMENT – Temperature range -10° to 60°C
- DUTY RATING – High duty cycle

AH Mini-Cat Air Hoist – Metric General Specifications:

Capacity (kg)	Product Code	Headroom (mm)	Standard Lift (m)	Load Chain Dia. (mm) x Chain Fall Lines	Net Weight with Standard lift (kg)	Weight for Additional One Meter of Lift (kg)
115	AH250C	305	3.0	4 x 1	7	0.39
225	AH500C	305	3.0	4 x 1	7	0.39
115	AH250P	305	3.0	4 x 1	8.4	0.73
225	AH500P	305	3.0	4 x 1	8.4	0.73
115	AH250M	837	2.0	4 x 1	10.9	0.70
225	AH500M	837	2.0	4 x 1	10.9	0.70

- Lift: 3.0 m standard, 39.9 m maximum on C and P models, 4.0 m maximum on M models
- Air lubrication requirements: Minimum of 10 to 15 drops per minute (2-3 cc/min) of oil
- Air filtration requirement: Maximum 5 micron air filter or finer.
- Air supply pressure: 0.4 to 0.6 MPa.
- Air consumption: 0.54 to 0.96 cubic meters per minute.
- Air inlet port size: 3/8 inch NPT
- Minimum supply hose size: 3/8 inch

Metric Cord Model

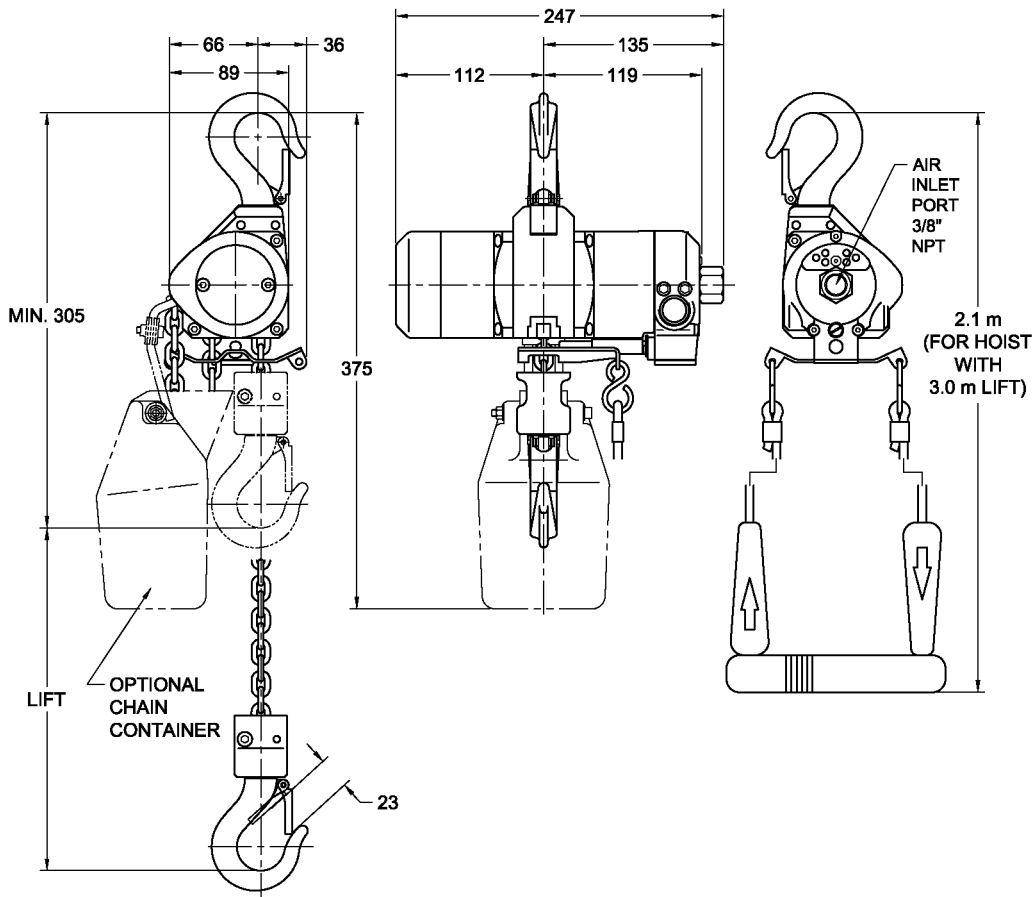
Speeds – m/min at 0.6 MPa:

Capacity (kg)	Product Code	UP		DOWN	
		Full Load	No Load	Full Load	No Load
115	AH250C	14.2 (11.2)	18.6 (16.3)	15.4 (14.3)	13.8 (12.2)
225	AH500C	9.9 (6.1)	18.6 (16.3)	17.1 (16.4)	13.8 (12.2)

Air Consumption – m³/min at 0.6 MPa:

Capacity (kg)	Product Code	UP		DOWN	
		Full Load	No Load	Full Load	No Load
115	AH250C	0.90 (0.67)	0.96 (0.76)	0.84 (0.69)	0.79 (0.65)
225	AH500C	0.83 (0.59)	0.96 (0.76)	0.90 (0.72)	0.79 (0.65)

Values in parentheses for air supply at 0.4 MPa.



Dimensions for Cord Model Mini-Cat Air Hoist (millimeters)

Metric Pendant Model

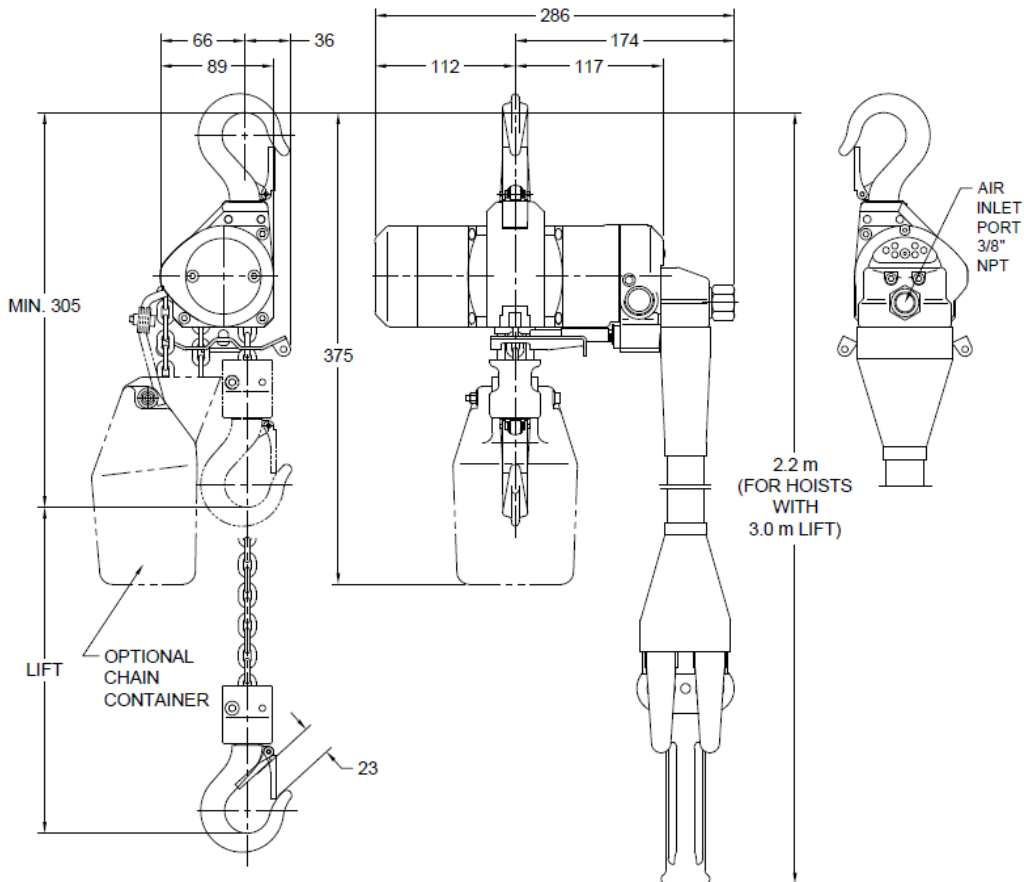
Speeds – m/min at 0.6 MPa:

Capacity (kg)	Product Code	UP		DOWN	
		Full Load	No Load	Full Load	No Load
115	AH250P	12.8 (10.1)	16.7 (14.7)	14.7 (13.6)	13.1 (11.6)
225	AH500P	8.9 (5.5)	16.7 (14.7)	16.2 (15.6)	13.1 (11.6)

Air Consumption – m³/min at 0.6 MPa:

Capacity (kg)	Product Code	UP		DOWN	
		Full Load	No Load	Full Load	No Load
115	AH250P	0.81 (0.61)	0.86 (0.69)	0.76 (0.59)	0.74 (0.57)
225	AH500P	0.75 (0.53)	0.86 (0.69)	0.79 (0.62)	0.74 (0.57)

Values in parentheses for air supply at 0.4 MPa.



Dimensions for Pendant Model Mini-Cat Air Hoist (millimeters)

Metric Manipulator Model

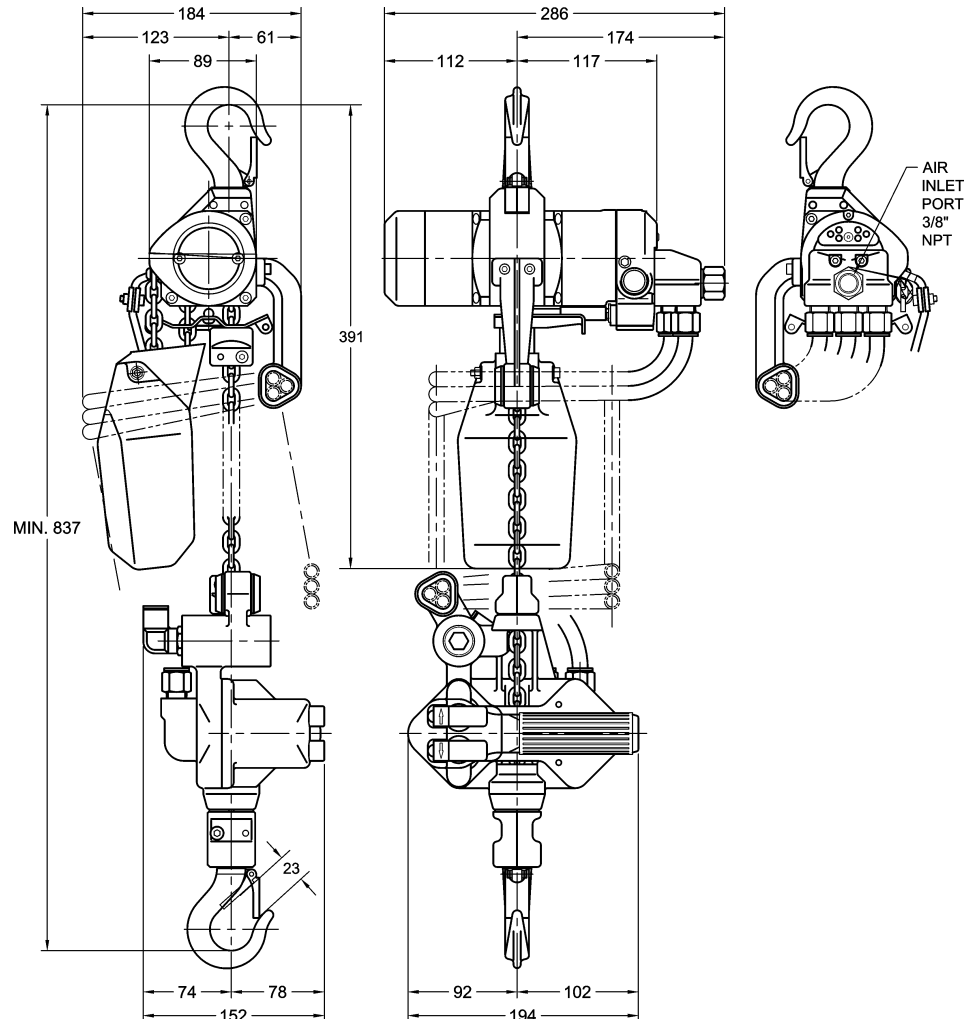
Speeds – m/min at 0.6 MPa:

Capacity (kg)	Product Code	UP		DOWN	
		Full Load	No Load	Full Load	No Load
115	AH250M	12.6 (9.9)	16.4 (14.3)	14.4 (13.3)	12.8 (11.3)
225	AH500M	8.8 (5.4)	16.4 (14.3)	16.1 (15.4)	12.8 (11.3)

Air Consumption – m³/min at 0.6 MPa:

Capacity (kg)	Product Code	UP		DOWN	
		Full Load	No Load	Full Load	No Load
115	AH250M	0.81 (0.61)	0.86 (0.69)	0.76 (0.59)	0.74 (0.57)
225	AH500M	0.75 (0.53)	0.86 (0.69)	0.79 (0.62)	0.74 (0.57)

Values in parentheses for air supply at 0.4 MPa.



Dimensions for Manipulator Model Mini-Cat Air Hoist (millimeters)