



**NTH LOW HEADROOM TROLLEY HOIST
MODEL NTH4
SPECIFICATIONS**

Purpose

To provide dimension and specification information for the NTH LOW HEADROOM TROLLEY HOIST.

Attachments

Pg. No. 2	Imperial Data Chart	NTH LOW HEADROOM TROLLEY HOIST
Pg. No. 2	Metric Data Chart	NTH LOW HEADROOM TROLLEY HOIST
Pg. No. 3	Line Drawing	NTH LOW HEADROOM TROLLEY HOIST

NTH LOW HEADROOM TROLLEY HOIST SPECIFICATIONS

Imperial Specifications

Cap. (Tons)	Product Code		Headroom C (in)	Std. Lift (ft)	Pull to Lift Load (lbs)	Overhaul Ratio	Min. Radius for Curve (in)	*Flange Range B (in)	Load Chain Dia. (mm) x Chain Fall Lines	Push			Geared		
	Push Trolley	Geared Trolley								Net Weight (lbs)	Shipping Weight Approx. (lbs)	Weight for Addnl One ft of Lift (lbs)	Net Weight (lbs)	Shipping Weight Approx. (lbs)	Weight for Addnl One ft of Lift (lbs)
1	NTH010	G-NTH010	12.5	10	79	31	39	2.32-5.16	6.3x1	62	65	1.2	73	78	1.8
2	NTH020	G-NTH020	16.5	10	88	63	47	3.72-5.97	6.3x2	92	97	1.8	103	110	2.4
3	NTH030	G-NTH030	19.0	10	101	81	59	3.62-6.26	7.1x2	125	133	2.1	136	177	2.8
5	NTH050	G-NTH050	20.3	10	101	134	79	5.12-7.11	7.1x3	188	200	2.9	199	240	3.5

Special lengths of load and hand chain drop available upon request.

* Other beam widths available. Consult factory.

Imperial Dimensions

Cap. (Tons)	a (in)	a' (in)	b (in)	d (ft)	e (in)	e' (in)	f (ft)	g (in)	h (in)	i (in)	j (in)	k (in)	k' (in)	m (in)	n (in)	r (in)	t (in)
1	8.1	12.9	10.9	10.0	1.0	5.9	10.4	1.1	4.2	2.80	0.8	3.5	4.4	1.9	4.6	1.9	0.75
2	9.3	14.0	13.8	10.0	1.2	6.0	10.4	1.4	5.0	3.35	0.9	4.2	4.7	2.3	5.4	2.3	1.00
3	9.9	14.5	15.6	10.0	1.3	5.9	10.8	1.7	5.8	3.94	0.9	4.9	5.0	2.4	6.2	2.4	1.13
5	11.2	15.8	18.3	10.6	1.5	6.2	11.3	1.8	6.7	4.65	1.0	5.6	5.1	3.0	7.0	2.9	1.63

Metric Specifications

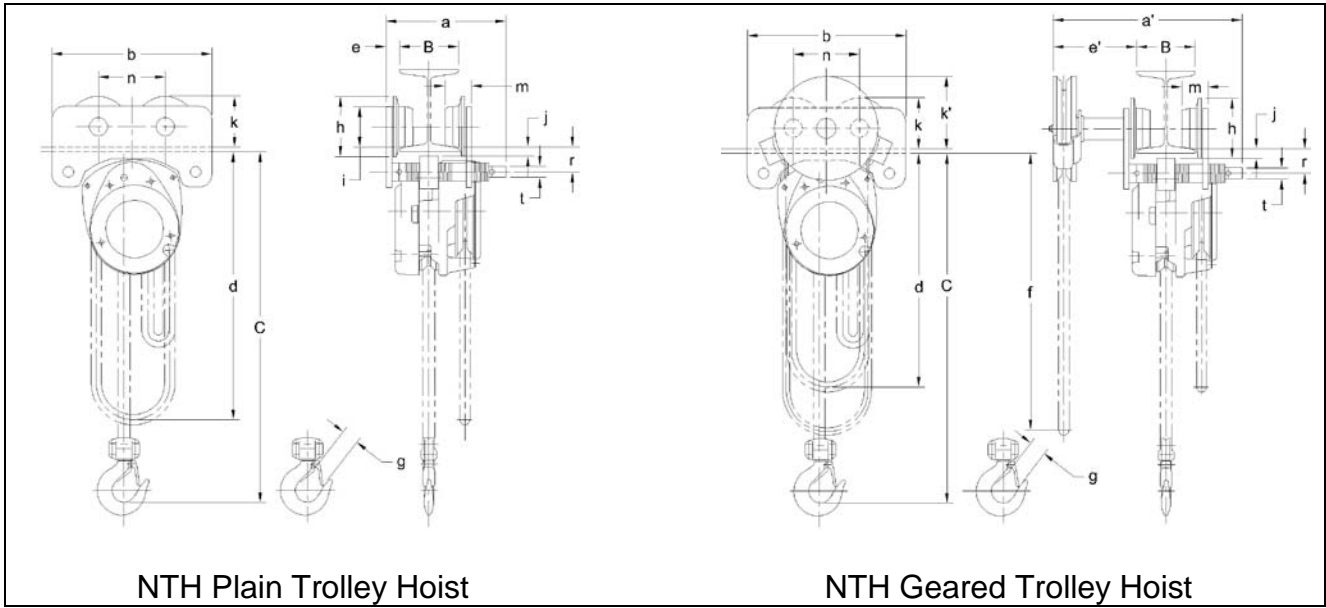
Cap. (Tons)	Product Code		Headroom C (mm)	Std. Lift (m)	Pull to Lift Load (kg)	Overhaul Ratio	Min. Radius for Curve (mm)	*Flange Range B (mm)	Load Chain Dia. (mm) x Chain Fall Lines	Push			Geared		
	Push Trolley	Geared Trolley								Net Weight (kg)	Shipping Weight Approx. (kg)	Weight for Add'l 1 meter of Lift (kg)	Net Weight (kg)	Shipping Weight Approx. (kg)	Weight for Add'l 1 meter of Lift (kg)
1	NTH010	G-NTH010	318	3.0	36	31	991	59-131	6.3x1	28	29	1.8	33	35	2.7
2	NTH020	G-NTH020	419	3.0	40	63	1194	95-152	6.3x2	42	44	2.6	47	50	3.6
3	NTH030	G-NTH030	482	3.0	46	81	1499	92-159	7.1x2	57	60	3.2	62	80	4.1
5	NTH050	G-NTH050	516	3.0	46	134	2007	130-181	7.1x3	85	91	4.3	90	109	5.2

Special lengths of load and hand chain drop available upon request.

* Other beam widths available. Consult factory.

Metric Dimensions

Cap. (Tons)	a (mm)	a' (mm)	b (mm)	d (m)	e (mm)	e' (mm)	f (m)	g (mm)	h (mm)	i (mm)	j (mm)	k (mm)	k' (mm)	m (mm)	n (mm)	r (mm)	t (mm)
1	205	328	276	3.0	26	151	3.1	29	106	71	21	89	112	49	116	49	19.1
2	237	356	350	3.0	31	153	3.1	36	127	85	22	106	118	58	137	57	25.4
3	252	368	396	3.0	32	151	3.3	43	148	100	23	124	126	62	159	61	28.6
5	284	401	465	3.1	38	157	3.4	47	169	118	26	144	131	77	178	72	41.3



NTH Plain Trolley Hoist

NTH Geared Trolley Hoist