



**CF HAND CHAIN HOISTS with GT GEARED TROLLEYS  
MODELS CF4 AND TF2  
SPECIFICATIONS**

Purpose

To provide dimension and specification information for CF HAND CHAIN HOISTS with GT GEARED TROLLEYS.

Attachments

Pg. No. 2	Imperial Data Chart	CF HAND CHAIN HOISTS with GT GEARED TROLLEYS
Pg. No. 2	Metric Data Chart	CF HAND CHAIN HOISTS with GT GEARED TROLLEYS
Pg. No. 2	Line Drawing	CF HAND CHAIN HOISTS with GT GEARED TROLLEYS

## CF Hand Chain Hoists with GT Geared Trolleys Imperial Dimensions & Specifications

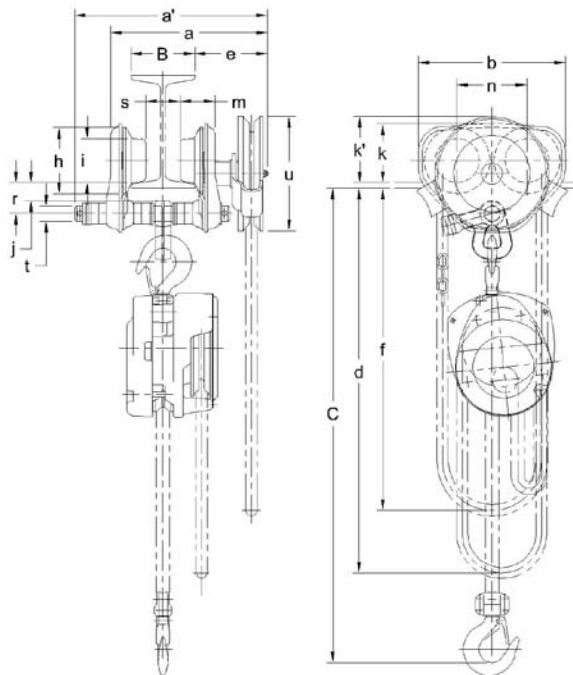
Cap. (Tons)	Product Code		Headroom C (in)	Std Lift (ft)	Min. Radius for Curve (in)	Flange Width Adjustability B (in)		a max (in)	a' (in)	b (in)	d (ft)	e (in)	f (ft)	h (in)	i (in)	j (in)	k (in)	k' (in)	m (in)	n (in)	r (in)	s (in)	t (in)	u (in)	Net Weight (lbs)	Shipping Weight Approx. (lbs)	Weight for Addnl. One ft. of Lift (lbs)
	Hoist	Trolley				Standard	Option																				
	1/2	CF005				GTF2010	16.6																				
1	CF010	GTF2010	18.3	17.7	3.23 to 6.02	6.03 to 12.00	10.8	12.2	9.3	10.3	4.6	9.0	4.2	2.80	1.1	3.7	4.2	2.2	4.4	2.0	B-1.9	0.98	51	56	1.8		
1 1/2	CF015	GTF2020	22.0	21.7			13.7	15.2	11.0	10.3	6.1	9.0	5.0	3.35	1.4	4.4	4.3	2.8	5.2	2.4	B-2.3	1.26	75	82	2.0		
2	CF020	GTF2020	24.8	21.7			13.7	15.2	11.0	10.3	6.1	9.0	5.0	3.35	1.4	4.4	4.3	2.8	5.2	2.4	B-2.3	1.26	84	89	2.4		
3	CF030	GTF2030	29.5	25.6			14.1	15.7	12.8	10.6	6.2	9.0	5.8	3.94	1.4	5.3	4.5	3.1	6.0	2.7	B-2.5	1.42	117	124	2.8		
5	CF050	GTF2050	27.7	78.7			4.92 to 7.02	7.03 to 12.00	14.8	15.7	13.7	12.0	6.1	10.7	5.7	4.65	-	5.7	5.2	3.2	7.0	4.6	B-3.0	1.73	186	194	3.5

Special lengths of load and hand chain available upon request.

## CF Hand Chain Hoists with GT Geared Trolleys Metric Dimensions & Specifications

Cap. (Tons)	Product Code		Headroom C (mm)	Std Lift (m)	Min. Radius for Curve (mm)	Flange Width Adjustability B (mm)		a max (mm)	a' (mm)	b (mm)	d (m)	e (mm)	f (m)	h (mm)	i (mm)	j (mm)	k (mm)	k' (mm)	m (mm)	n (mm)	r (mm)	s (mm)	t (mm)	u (mm)	Net Wt. (kg)	Shipping Wt. Approx. (kg)	Wt. for Add'l. 1 meter of Lift (kg)
	Hoist	Trolley				Standard	Option																				
	1/2	CF005				GTF2010	421																				
1	CF010	GTF2010	466	450	82 to 153	154 to 305	275	309	236	3.1	116	2.7	106	71	29	95	106	56	112	50	B-48	25	23	25	2.7		
1 1/2	CF015	GTF2020	560	550			349	385	280	3.1	154	2.7	127	85	35	112	109	71	131	62	B-57	32	34	37	3.0		
2	CF020	GTF2020	630	550			349	385	280	3.1	154	2.7	127	85	35	112	109	71	131	62	B-57	32	38	40	3.6		
3	CF030	GTF2030	749	650			359	398	324	3.2	157	2.7	148	100	36	134	114	80	152	68	B-62	36	53	56	4.1		
5	CF050	GTF2050	704	2000			125 to 178	179 to 305	376	400	347	3.7	156	3.3	144	118	-	144	131	81	178	117	B-76	44	84	88	5.2

Special lengths of load and hand chain available upon request.



**GENERAL USE  
EDOC0144**