



**GT GEARED TROLLEY
MODELS TF2/TS2 & T3
SPECIFICATIONS**

Purpose

To provide dimension and specification information for the GT TROLLEY.

Attachments

Pg. No. 2	Imperial Data Chart	GT TROLLEY
Pg. No. 2	Metric Data Chart	GT TROLLEY
Pg. No. 3	Line Drawing	GT TROLLEY

GTF TROLLEY

Imperial Dimensions & Specifications

Cap. (Tons)	Product Code	Min. Radius for Curve (in)	Flange Width Adjustability B (in)		a max (in)		a' max (in)		b (in)	e (in)		f* (ft.)	h (in)	i (in)	j (in)	k (in)	k' (in)	m (in)		n (in)	r (in)	s (in)	t (in)	u (in)	v (in)	Net Weight (lbs)		Shipping Weight Approx. (lbs)					
			Standard	Option	ER2	CB	ER2	CB		ER2	CB							ER2	CB							ER2	CB	ER2	CB	ER2	CB	ER2	CB
			1/2-1	GTF2010	17.7	2.28 to 5.00	5.01 to 8.00 or 8.01 to 12.00	10.8		12.2								9.3	4.6							8	4.2	2.80	1.1	3.7	4.2	2.2	4.4
1 1/2-2	GTF2020	21.7	3.23 to 6.02	6.03 to 12.00	13.7		15.2		11.0	6.1	8	5.0	3.35	1.3	4.4	4.3	2.8	5.2	2.4	B-2.3	1.26	7.2	5.1	37	40								
2 1/2	GTF2030	25.6		6.03 to 12.00	14.1		15.7		12.8	6.2	8	5.8	3.94	1.4	5.3	4.5	3.1	6.0	2.7	B-2.5	1.42	7.2	5.7	55	58								
3	GTF2030	25.6		6.03 to 12.00	14.1		15.7		12.8	6.2	8	5.8	3.94	1.4	5.3	4.5	3.1	6.0	2.7	B-2.5	1.42	7.2	6.7	55	58								
5	GTF2050	78.7	4.92 to 7.02	7.03 to 12.00	14.8		15.8		13.7	6.2	8	6.7	4.65	-	4.5	5.7	3.2	7.0	4.6	B-3.0	1.73	7.2	3.8	104	108								
8	GTF080	118.1	5.50 to 8.66	8.67 to 12.00	26.4	17.4	31.3	22.2	18.9	16.2	7.2	12	7.3	6.10	-	5.4	6.7	3.4	3.4	7.7	6.0	B-3.6	2.76	8.4	4.6	248	218	290	261				
10	GTF100				41.0	23.0	24.3	24.3	39.4									18.0	8.9	28.2	8.0					490	534	571	616				
15	GTF150				∞	41.0	23.0	24.3	24.3									39.4	18.0	8.9	28.2					8.0	490	534	571	616			
20	GTF200	41.0	23.0	24.3		24.3	39.4	18.0	8.9	28.2	8.0	490	534	571	616																		

*Longer hand chain drops available upon request.

GTS TROLLEY

Imperial Dimensions & Specifications

Cap. (Tons)	Product Code	Min. Radius for Curve (in)	Flange Width Adjustability B (in)		a max (in)		a' max (in)		b (in)	e (in)		f* (ft.)	h (in)	i (in)	j (in)	k (in)	k' (in)	m (in)		n (in)	r (in)	s (in)	t (in)	u (in)	v (in)	Net Weight (lbs)		Shipping Weight Approx. (lbs)					
			Standard	Option	ER2	CB	ER2	CB		ER2	CB							ER2	CB							ER2	CB	ER2	CB	ER2	CB	ER2	CB
			1/2-1	GTS2010	17.7	2.28 to 5.00	5.01 to 8.00 or 8.01 to 12.00	10.8		12.2								9.3	4.6							8	4.2	2.80	1.1	3.7	4.2	2.2	4.4
1 1/2-2	GTS2020	21.7	3.23 to 6.02	6.03 to 12.00	13.7		15.2		11.0	6.1	8	5.0	3.35	1.3	4.4	4.3	2.8	5.2	2.4	B-2.3	1.26	7.2	5.1	44	46								
2 1/2	GTS2030	25.6		6.03 to 12.00	14.1		15.7		12.8	6.2	8	5.8	3.94	1.4	5.3	4.5	3.1	6.0	2.7	B-2.5	1.42	7.2	5.7	62	64								
3	GTS2030	25.6		6.03 to 12.00	14.1		15.7		12.8	6.2	8	5.8	3.94	1.4	5.3	4.5	3.1	6.0	2.7	B-2.5	1.42	7.2	6.7	62	64								
5	GTS2050	78.7	4.92 to 7.02	7.03 to 12.00	14.8		15.8		15.8	6.2	8	6.7	4.65	-	4.5	5.7	3.2	7.0	4.6	B-3.0	1.73	7.2	3.8	126	130								
8	GTS080	118.1	5.50 to 8.66	8.67 to 12.00	26.4	17.4	31.3	22.2	19.4	16.2	7.2	12	7.3	6.10	-	5.4	6.7	3.4	3.4	7.7	6.0	B-3.6	2.76	8.4	4.6	257	227	299	269				
10	GTS100				41.0	23.0	24.3	24.3	39.8									18.0	8.9	28.2	8.0					510	553	591	635				
15	GTS150				∞	41.0	23.0	24.3	24.3									39.8	18.0	8.9	28.2					8.0	510	553	591	635			
20	GTS200	41.0	23.0	24.3		24.3	39.8	18.0	8.9	28.2	8.0	510	553	591	635																		

*Longer hand chain drops available upon request.

GTF TROLLEY

Metric Dimensions & Specifications

Cap. (Tons)	Product Code	Min. Radius for Curve (mm)	Flange Width Adjustability B (mm)		a max (mm)		a' max (mm)		b (mm)	e (mm)		f* (m)	h (mm)	i (mm)	j (mm)	k (mm)	k' (mm)	m (mm)		n (mm)	r (mm)	s (mm)	t (mm)	u (mm)	v (mm)	Net Weight (kg)		Shipping Weight Approx. (kg)													
			Standard	Option	ER2	CB	ER2	CB		ER2	CB							ER2	CB							ER2	CB	ER2	CB	ER2	CB	ER2	CB	ER2	CB	ER2	CB	ER2	CB	ER2	CB
1/2-1	GTF2010	450	58 to 127	128 to 203 or 204 to 305	275	309	236	116	2.4	106	71	28	95	106	56	112	50	B-48	25	183	106	11	12																		
1 1/2-2	GTF2020	550	82 to 153	154 to 305	349	385	280	154	2.4	127	85	34	112	109	71	131	62	B-57	32	183	130	17	18																		
2 1/2	GTF2030	650		154 to 305	359	398	324	157	2.4	148	100	36	134	114	80	152	68	B-62	36	183	144	25	26																		
3	GTF2030	650		154 to 305	359	398	324	157	2.4	148	100	36	134	114	80	152	68	B-62	36	183	169	25	26																		
5	GTF2050	2000	125 to 178	179 to 305	376	401	347	157	2.4	169	118	-	114	144	81	178	117	B-76	44	183	95	47	49																		
8	GTF080	3000	140 to 220	221 to 305	672	443	794	565	480	411	182	3.7	185	155	-	136	170	86	86	197	153	B-90	70	214	118	113	99	132	118												
10	GTF100				1042	584	617	617	1000									456	227	717	203					222	242	259	279												
15	GTF150				∞	1042	584	617	617									1000	456	227	717					203	222	242	259	279											
20	GTF200	∞	1042	584	617	617	1000	456	227	717	203	222	242	259	279																										

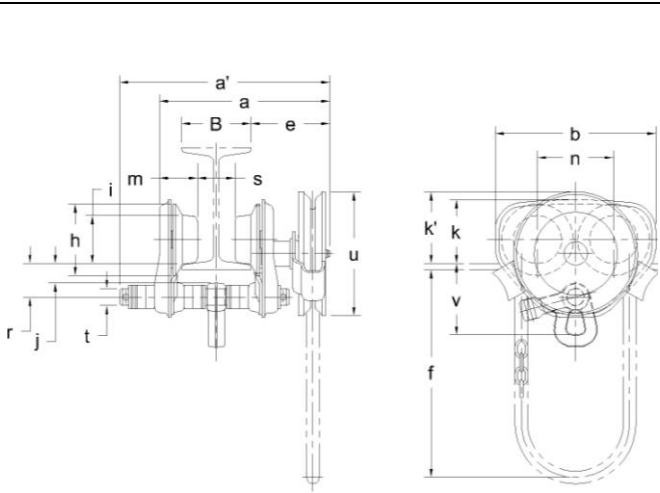
*Longer hand chain drops available upon request.

GTS TROLLEY

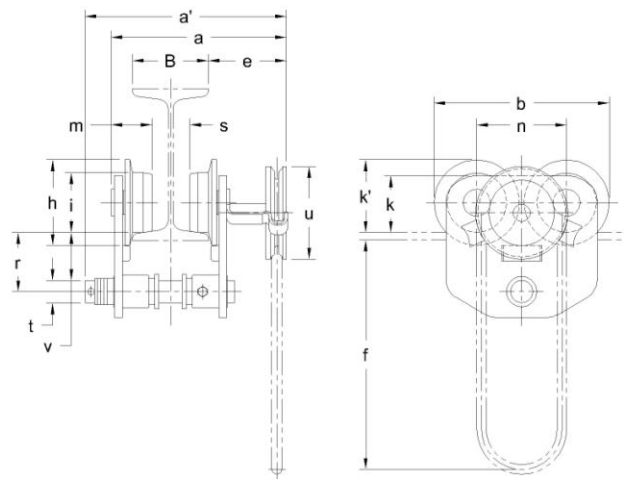
Metric Dimensions & Specifications

Cap. (Tons)	Product Code	Min. Radius for Curve (mm)	Flange Width Adjustability B (mm)		a max (mm)		a' max (mm)		b (mm)	e (mm)		f* (m)	h (mm)	i (mm)	j (mm)	k (mm)	k' (mm)	m (mm)		n (mm)	r (mm)	s (mm)	t (mm)	u (mm)	v (mm)	Net Weight (kg)		Shipping Weight Approx. (kg)													
			Standard	Option	ER2	CB	ER2	CB		ER2	CB							ER2	CB							ER2	CB	ER2	CB	ER2	CB	ER2	CB	ER2	CB	ER2	CB	ER2	CB	ER2	CB
1/2-1	GTS2010	450	58 to 127	128 to 203 or 204 to 305	275	309	236	116	2.4	106	71	28	95	106	56	112	50	B-48	25	183	106	13	14																		
1 1/2-2	GTS2020	550	82 to 153	154 to 305	349	385	280	154	2.4	127	85	34	112	109	71	131	62	B-57	32	183	130	20	21																		
2 1/2	GTS2030	650		154 to 305	359	398	324	157	2.4	148	100	36	134	114	80	152	68	B-62	36	183	144	28	29																		
3	GTS2030	650		154 to 305	359	398	324	157	2.4	148	100	36	134	114	80	152	68	B-62	36	183	169	28	29																		
5	GTS2050	2000	125 to 178	179 to 305	376	401	347	157	2.4	169	118	-	114	144	81	178	117	B-76	44	183	95	57	59																		
8	GTS080	3000	140 to 220	221 to 305	672	443	794	565	492	411	182	3.7	185	155	-	136	170	86	86	197	153	B-90	70	214	118	117	103	136	122												
10	GTS100				1042	584	617	617	1012									456	227	717	203					231	251	268	288												
15	GTS150				∞	1042	584	617	617									1012	456	227	717					203	231	251	268	288											
20	GTS200	∞	1042	584	617	617	1012	456	227	717	203	231	251	268	288																										

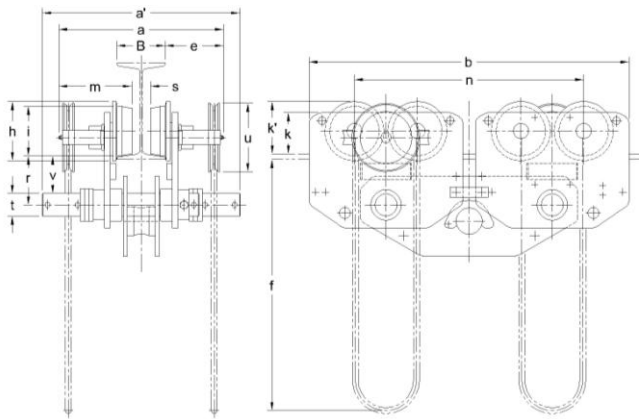
*Longer hand chain drops available upon request.



GTF2010 to GTF2030



GTF2050 to GT100



GTF150 to GTF200