



**CB HAND CHAIN HOIST
MODELS M3 & M3B
SPECIFICATIONS**

Purpose

To provide dimension and specification information for the CB HAND CHAIN HOIST.

Attachments

Pg. No. 2	Imperial Data Chart	CB HAND CHAIN HOIST
Pg. No. 3	Metric Data Chart	CB HAND CHAIN HOIST
Pg. No. 4	Line Drawing	CB HAND CHAIN HOIST

**CB HAND CHAIN HOIST
IMPERIAL SPECIFICATIONS**

Cap. (Tons)	Product Code	Headroom C (In)	Std. Lift (ft)	Pull to Lift Load (lbs)	Overhaul Ratio	Load Chain Dia. (mm) x Chain Fall Lines	Net Weight (lbs)	Shipping Weight Approx. (lbs)	Weight for Addnl. One Ft. of Lift (lbs)
1/2	CB005	11.2	8	48	25	5.0x1	22	24	1.0
1	CB010	11.6		58	43	6.3x1	26	27	1.2
1 1/2	CB015	13.8		70	57	7.1x1	32	33	1.4
2	CB020	14.8		72	70	8.0x1	41	43	1.6
2 1/2	CB025	16.5		66	99	9.0x1	56	58	1.8
3	CB030	20.1		72	114	7.1x2	49	53	2.1
5	CB050	23.6		68	198	9.0x2	85	89	3.0
8	CB080	30.3		75	297	9.0x3	124	131	4.2
10	CB100	29.9	12	72	396	9.0x4	186	203	5.5
15	CB150	40.2		74	594	9.0x6	346	368	7.9
20	CB200	46.5		72x2	396x2	9.0x8	524	678	10.9
30	CB300	51.2		86x2	495x2	9.0x10	690	889	13.3
40	CB400	58.3		86x2	693x2	9.0x14	1068	1398	18.2
50	CB500	61.4		98x2	792x2	9.0x16	1422	1752	20.6
80	CB800	100.8		86x4	693x4	9.0x28	3392	-	36.3
100	CB1000	125.2		98x4	792x4	9.0x32	6525	-	41.2

Special lengths of load and hand chain available upon request.
Weights are approximate.

IMPERIAL DIMENSIONS

Cap. (Tons)	Product Code	a (in)	b (in)	d (ft)	e (in)	f (in)	g (in)	x (in)
1/2	CB005	6.2	6.3	8.0	2.7	3.9	1.1	3.5
1	CB010	6.4	6.3	8.0	2.8	3.9	1.1	4.0
1 1/2	CB015	6.7	7.2	8.0	3.1	4.4	1.3	4.7
2	CB020	7.2	8.0	8.0	3.4	4.9	1.4	4.9
2 1/2	CB025	7.6	9.2	8.0	3.6	5.6	1.6	5.4
3	CB030	6.7	9.3	8.3	3.1	6.4	1.7	5.8
5	CB050	7.6	11.1	10.0	3.6	7.6	1.8	6.8
8	CB080	7.6	14.7	10.3	3.6	10.0	2.9	10.8
10	CB100	7.6	17.2	14.9	4.4	12.1	2.9	11.7
15	CB150	10.6	19.4	15.9	4.7	13.3	3.1	12.6
20	CB200	14.7	29.4	16.3	7.4	14.7	3.2	13.8
30	CB300	15.9	29.4	16.3	8.0	14.7	4.1	15.7
40	CB400	19.8	29.9	16.6	9.9	15.0	3.8	17.5
50	CB500	21.4	31.3	16.6	10.7	15.7	4.0	18.4
80	CB800	29.9	55.2	15.9	13.8	27.6	5.1	-
100	CB1000	31.3	56.9	14.6	15.7	28.4	7.3	-

**CB HAND CHAIN HOIST
METRIC SPECIFICATIONS**

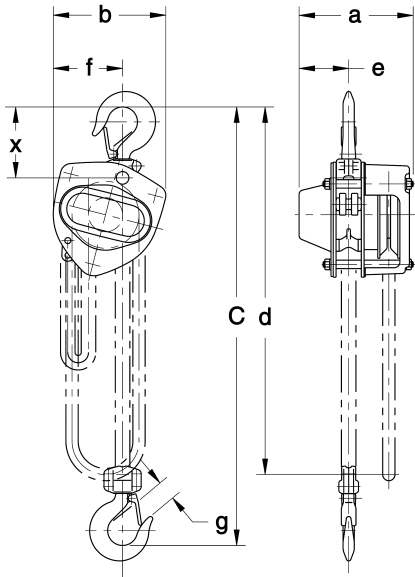
Cap. (Tons)	Product Code	Headroom C (mm)	Std. Lift (m)	Pull to Lift Load (kg)	Overhaul Ratio	Load Chain Dia. (mm) x Chain Fall Lines	Net Weight (kg)	Shipping Weight Approx. (kg)	Weight for Addnl. One Meter of Lift (kg)
1/2	CB005	285	2.4	24	25	5.0x1	10	11	1.5
1	CB010	295		29	43	6.3x1	12	12	1.8
1 1/2	CB015	350		35	57	7.1x1	15	15	2.1
2	CB020	375		36	70	8.0x1	20	21	2.3
2 1/2	CB025	420		33	99	9.0x1	27	28	2.7
3	CB030	510		36	114	7.1x2	24	26	3.2
5	CB050	600		34	198	9.0x2	41	43	4.5
10	CB100	760	3.7	36	396	9.0x4	83	91	8.1
15	CB150	1020		37	594	9.0x6	155	165	11.7
20	CB200	1180		36x2	396x2	9.0x8	235	305	16.2
30	CB300	1300		43x2	495x2	9.0x10	310	400	19.8
40	CB400	1480		43x2	693x2	9.0x14	480	630	27.0
50	CB500	1560		49x2	792x2	9.0x16	640	790	30.6
80	CB800	2560		43x4	693x4	9.0x28	1530	-	54.1
100	CB1000	3180	49x4	792x4	9.0x32	2950	-	61.3	

Special lengths of load and hand chain available upon request.

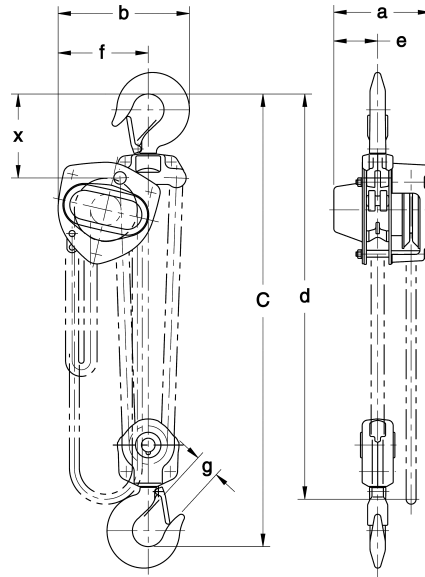
Weights are approximate.

METRIC DIMENSIONS

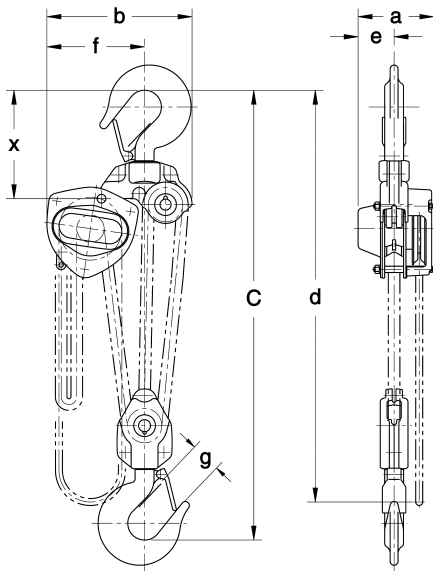
Cap. (Tons)	Product Code	a (mm)	b (mm)	d (m)	e (mm)	f (mm)	g (mm)	x (mm)
1/2	CB005	158	161	2.4	69	99	27	89
1	CB010	162	161	2.4	71	99	29	101
1 1/2	CB015	171	182	2.4	78	112	34	118
2	CB020	182	202	2.4	87	125	36	124
2 1/2	CB025	192	233	2.4	91	143	40	136
3	CB030	171	235	2.5	78	162	42.5	148
5	CB050	192	282	3.0	91	194	46.5	173
10	CB100	192	438	4.5	111	308	72.5	296
15	CB150	268	492	4.8	119	337	80	320
20	CB200	374	746	5.0	187	373	81	351
30	CB300	404	746	5.0	202	373	103	400
40	CB400	502	760	5.1	251	380	96	445
50	CB500	544	796	5.1	272	398	100	467
80	CB800	760	1402	4.8	350	701	130	-
100	CB1000	796	1444	4.5	398	722	185	-



CB005 to CB025

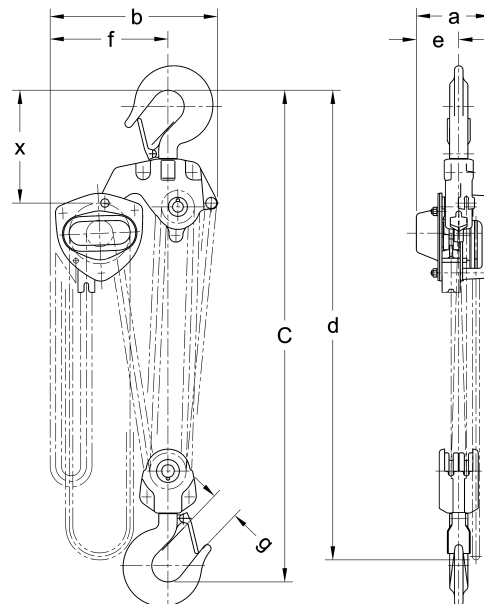


CB030 to CB050

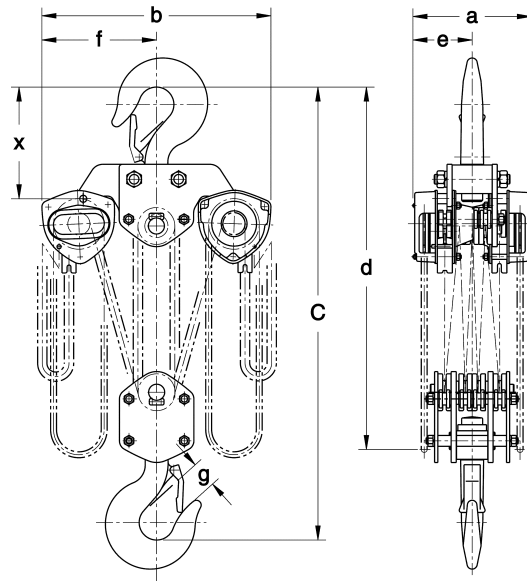


CB080 to CB150

Imperial rated ONLY



CB100 to CB150



CB200 to CB1000