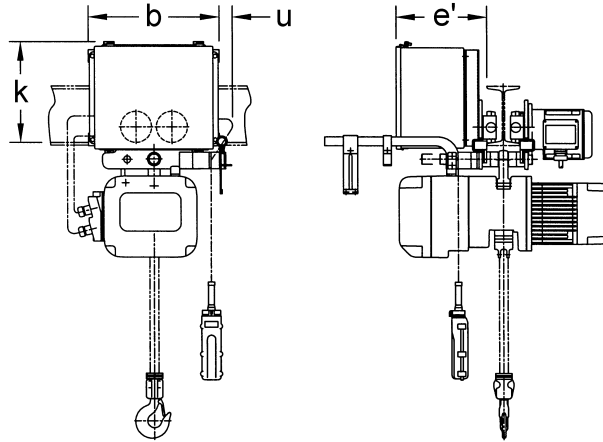


**Purpose:**

This document gives information and dimensions for optional MR trolley electrical enclosures. Optional enclosures are larger than the standard Switch Box and allow the addition of Main Line Contactors (761), Inverter controls, Selector Controls (SIC Box), etc. To identify which enclosure is required, refer to the applicable EDOC pertaining to the desired ER, MR or ERM option.



Enclosure	Product Code	Capacity (Ton)	Bracket Part No.	b (in)	e' (in)	k (in)	u (in)
<b>Part Number: 9006718</b> Size (w x h x d): 12 x 12 x 6 NEMA Rating: 12 & 13	MR010-L/S/SD	1	60428-03	13.8	9.1	12.1	6.0
	MR020-L/S/SD	2	60428-03	13.8	9.3	11.9	6.0
	MR030-L/S/SD	3	60428-03	13.8	9.4	12.1	6.0
	MR050-L/S/SD	5	60428-04	13.8	9.6	11.7	6.0
<b>Part Number: 9006722</b> Size (w x h x d): 12 x 12 x 6 NEMA Rating: 4	MR010-L/S/SD	1	60428-03	13.8	9.1	12.1	6.0
	MR020-L/S/SD	2	60428-03	13.8	9.3	11.9	6.0
	MR030-L/S/SD	3	60428-03	13.8	9.4	12.1	6.0
	MR050-L/S/SD	5	60428-04	13.8	9.6	11.7	6.0
<b>Part Number: 9006730</b> Size (w x h x d): 14 x 8 x 6 NEMA Rating: 12 & 13	MR010-L/S/SD	1	60428-01	15.8	9.1	8.1	6.0
	MR020-L/S/SD	2	60428-01	15.8	9.3	7.9	6.0
	MR030-L/S/SD	3	60428-01	15.8	9.4	8.1	6.0
	MR050-L/S/SD	5	60428-02	15.8	9.6	7.7	6.0
<b>Part Number: 9006731</b> Size (w x h x d): 14 x 12 x 8 NEMA Rating: 12 & 13	MR010-L/S/SD	1	60428-05	15.8	11.1	12.1	6.0
	MR020-L/S/SD	2	60428-05	15.8	11.3	11.9	6.0
	MR030-L/S/SD	3	60428-05	15.8	11.4	12.1	6.0
	MR050-L/S/SD	5	60428-06	15.8	11.6	11.7	6.0