

Contents:

Section	Page
1) Purpose.....	1
2) Definitions and Notes.....	2
3) Container Assembly Numbers, Sizes, Weights and Hang Dimension.....	3
4) Container Dimension.....	12
5) Assembly Drawing Numbers.....	13

1) Purpose

This document provides information internal to Harrington for the selection of Steel Chain Container Part Assemblies. Steel Chain Container Assemblies are available for the following hoists:

(N)ER 001H – through - 200S	SNER 003S – through - 030C
(N)ERM 001H – through - 200S	SNERM 003S – though - 030C
(N)ERP 001H – through - 200S	SNERP 003S – through - 030C
(N)ERG 001H – through - 200S	SNERG 003S – through - 030C

Information Provided:

- Container Assembly Part Number
- Maximum Lifts
- Weight
- Hang Dimension
- Physical Size of Chain Container

2) Definitions and Notes

1. Steel Chain Container Assembly = Chain Container(s), Hangers, includes Hook or Chain Container Trolley if required.
2. Part numbers for Steel Chain Container Assemblies begin with "SC" followed by 3 digits "XXX".
3. Per capacity code (EX. 005S) the kits are the same for ER, NER, and SNER.
4. The kits marked by (U) are for the hoists with an upper limit switch only. The kits marked by (U/L) are for the hoists with both upper and lower limit switches.
5. Weights refer to SCC kit weight only and do not include chain. For total system weight add steel chain container kit weight to hoist net weight plus additional feet of lift chain weight.

Hoist (Including Trolley) Net Weight + Weight For Additional Feet Of Lift + Steel Chain Container Kit Weight = Total System Weight

Example:

ERM050L-L/S	461	lb
41 feet of Lift (total) (41-10standard lift) 31ft x 4.0 lb	124	lb
Steel Chain Container SC215	44.3	lb
<hr/>		
Total System Weight	629.3	lb

6. Hang Dimension is the distance from the bottom of the chain container to the saddle of the top hook or the where the trolley wheels rest on the beam. Refer to Figure 1 below for an illustration showing the hang dimension.

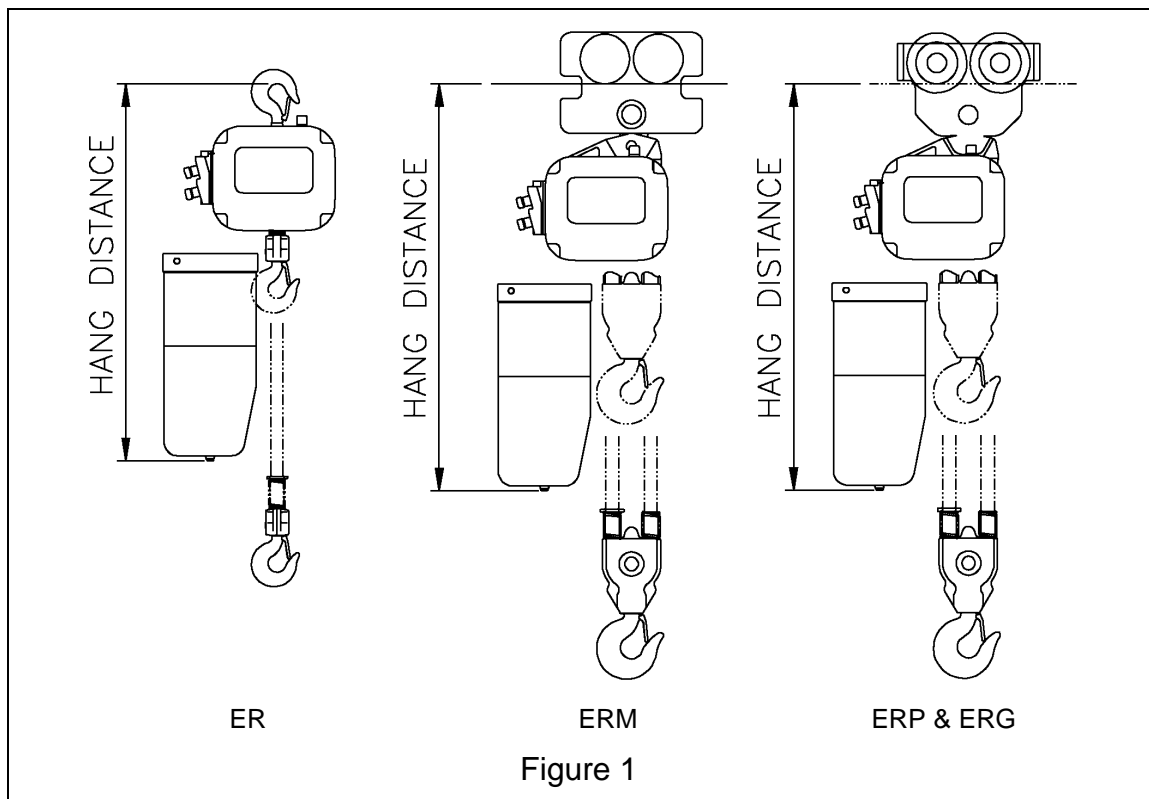


Figure 1

3) Container Assembly Numbers, Sizes, Weights and Hang Dimension

Hoist Capacity Code	Cont. Size	Lift		(N)(SN)ER SCC	(N)(SN)ERM SCC	(N)(SN)ERP/G SCC
		feet	meters	Weight (lbs) Hang Dim. (in)	Weight (lbs) Hang Dim. (in)	Weight (lbs) Hang Dim. (in)
001H, 003S	AH	39	12	SC001 13.6 lbs 25.7 in	SC001 26.8 lbs 26.7 in	SC001 26.2 lbs 26.7 in
	A	68	21	SC010 18 lbs 27.6 in	SC011 31.2 lbs 28.6 in	SC012 30.6 lbs 28.7 in
	B	124	38	SC014 19.3 lbs 29.6 in	SC015 32.5 lbs 30.6 in	SC016 31.9 lbs 30.7 in
	C	173	53	SC018 20.9 lbs 32.0 in	SC019 34.0 lbs 33 in	SC020 33.5 lbs 33.0 in
005L	AH	19	6	SC001 12.1 lbs 25.7 in	SC001 26.8 lbs 26.7 in	SC001 26.2lbs 26.7 in
	BH	39	12	SC002 14.5 lbs 27.6 in	SC002 27.6 lbs 28.6 in	SC002 27.1 lbs 28.7 in
	C	95	29	SC018 20.9 lbs 32.0 in	SC019 34.0 lbs 33.0 in	SC020 33.5 lbs 33.0 in
	D	118	36	SC030 21.3 lbs 32.7 in	SC031 34.5 lbs 33.7 in	SC032 33.9 lbs 33.8 in
	E	170	52	SC038 25.1 lbs 33.1 in	SC039 38.2 lbs 34.1 in	SC040 37.7 lbs 34.2 in
003H, 005S	AH	19	6	SC001 12.1 lbs 26.4 in	SC001 26.8 lbs 27.6 in	SC001 27.0 lbs 27.7 in
	BH	39	12	SC002 14.5 lbs 28.4 in	SC002 27.6 lbs 29.6 in	SC002 27.9 lbs 29.6 in
	C	95	29	SC018 20.9 lbs 32.7 in	SC027 34.0 lbs 33.9 in	SC028 34.3 lbs 34.0 in
	D	118	36	SC030 21.3 lbs 33.5 in	SC035 34.5 lbs 34.7 in	SC036 34.7 lbs 34.8 in
	E	170	52	SC038 25.1 lbs 33.9 in	SC043 38.2 lbs 35.1 in	SC044 38.5 lbs 35.2 in

Hoist Capacity Code	Cont. Size	Lift		(N)(SN)ER SCC	(N)(SN)ERM SCC	(N)(SN)ERP/G SCC
		feet	meters	Weight (lbs) Hang Dim. (in)	Weight (lbs) Hang Dim. (in)	Weight (lbs) Hang Dim. (in)
010L, 010M	BH	19	6	SC002 14.5 lbs 29.0 in	SC002 27.6 lbs 29.6 in	SC002 27.9 lbs 29.6 in
	CH	39	12	SC004 18.0 lbs 33.3 in	SC004 31.2 lbs 33.9 in	SC004 31.4 lbs 34.0 in
	D	59	18	SC030 21.3 lbs 34.1 in	SC035 34.5 lbs 34.7 in	SC036 34.7 lbs 34.8 in
	E	85	26	SC038 25.1 lbs 34.5 in	SC043 38.2 lbs 35.1 in	SC044 38.5 lbs 35.2 in
	F	111	34	SC054 25.9 lbs 36.5 in	SC055 39.1 lbs 37.0 in	SC056 39.4 lbs 37.1 in
	G	137	42	SC062 27.5 lbs 38.4 in	SC063 40.7 lbs 39.0 in	SC064 40.9 lbs 39.1 in
	H	180	55	SC070 31.5 lbs 41.2 in	SC071 44.6 lbs 41.8 in	SC072 44.9 lbs 41.9 in
010S	BH	19	6	SC002 14.7 lbs 30.2 in	SC002 27.6 lbs 30.8 in	SC002 28.0 lbs 30.9 in
	CH	39	12	SC004 18.2 lbs 34.6 in	SC004 31.2 lbs 35.2 in	SC004 31.5 lbs 35.3 in
	D	59	18	SC050 21.5 lbs 35.4 in	SC051 34.5 lbs 36.0 in	SC052 34.8 lbs 36.0 in
	E	85	26	SC058 25.3 lbs 35.8 in	SC059 38.2 lbs 36.4 in	SC060 38.6 lbs 36.4 in
	F	111	34	SC046 26.2 lbs 37.7 in	SC047 39.1 lbs 38.3 in	SC048 39.4 lbs 38.4 in
	G	137	42	SC066 27.7 lbs 39.7 in	SC067 40.7 lbs 40.3 in	SC068 41.0 lbs 40.4 in
	H	180	55	SC074 31.7 lbs 42.5 in	SC075 44.6 lbs 43.1 in	SC076 45.0 lbs 43.1 in

Hoist Capacity Code	Cont. Size	Lift		(N)(SN)ER SCC	(N)(SN)ERM SCC	(N)(SN)ERP/G SCC
		feet	meters	Weight (lbs) Hang Dim. (in)	Weight (lbs) Hang Dim. (in)	Weight (lbs) Hang Dim. (in)
015S, 020L 020M	CH	29	9	SC004 18.2 lbs 35.9 in	SC004 33.0 lbs 35.8 in	SC004 33.4 lbs 35.9 in
	DH	42	13	SC006 17.6 lbs 36.7 in	SC006 17.6 lbs 36.6 in	SC006 17.6 lbs 36.7 in
	E	65	20	SC058 25.3 lbs 37.1 in	SC079 40.1 lbs 36.9 in	SC080 40.4 lbs 37.1 in
	F	85	26	SC046 26.2 lbs 39.1 in	SC087 41.0 lbs 38.9 in	SC088 41.3 lbs 39.1 in
	G	108	33	SC066 27.7 lbs 41.1 in	SC095 42.5 lbs 40.9 in	SC096 42.9 lbs 41.0 in
	H	141	43	SC074 31.7 lbs 43.8 in	SC103 46.5 lbs 43.6 in	SC104 46.8 lbs 43.8 in
020S	CH	29	9	SC007 19.5 lbs 38.7 in	SC007 33.0 lbs 38.6 in	SC007 33.4 lbs 38.8 in
	DH	42	13	SC008 21.9 lbs 39.5 in	SC008 35.5 lbs 39.4 in	SC008 35.8 lbs 39.6 in
	E	65	20	SC110 26.6 lbs 39.9 in	SC111 40.1 lbs 39.8 in	SC112 40.4 lbs 40.0 in
	F	85	26	SC134 27.4 lbs 41.9 in	SC115 41.0 lbs 41.8 in	SC116 41.3 lbs 41.9 in
	G	108	33	SC118 29.0 lbs 43.9 in	SC119 42.5 lbs 43.8 in	SC120 42.9 lbs 43.9 in
	H	141	43	SC122 33.0 lbs 46.6 in	SC123 46.5 lbs 46.5 in	SC124 46.8 lbs 46.6 in
	I	177	54	SC126 43.3 lbs 47.5 in	SC127 56.9 lbs 47.4 in	SC128 57.2 lbs 47.5 in
	J	219	67	SC162 47.7 lbs 49.9 in	SC163 61.3 lbs 49.8 in	SC164 61.6 lbs 49.9 in
	K	275	84	SC166 55.4 lbs 52.6 in	SC167 69.0 lbs 52.5 in	SC168 69.3 lbs 52.6 in

Hoist Capacity Code	Cont. Size	Lift		(N)(SN)ER SCC	(N)(SN)ERM SCC	(N)(SN)ERP/G SCC
		feet	meters	Weight (lbs) Hang Dim. (in)	Weight (lbs) Hang Dim. (in)	Weight (lbs) Hang Dim. (in)
025S	CH	23	7	SC007 19.5 lbs 39.4 in	SC007 34.0 lbs 39.3 in	SC007 34.3 lbs 39.4 in
	DH	32	10	SC008 21.9 lbs 40.2 in	SC008 36.4 lbs 40.1 in	SC008 36.7 lbs 40.2 in
	E	49	15	SC110 26.6 lbs 40.6 in	SC131 41.0 lbs 40.4 in	SC132 41.4 lbs 40.6 in
	F	65	20	SC134 27.4 lbs 42.6 in	SC135 41.9 lbs 42.4 in	SC136 42.2 lbs 42.6 in
	G	82	25	SC118 29.0 lbs 44.6 in	SC139 43.5 lbs 44.4 in	SC140 43.8 lbs 44.5 in
	H	105	32	SC122 33.0 lbs 47.3 in	SC143 47.4 lbs 47.1 in	SC144 47.8 lbs 47.3 in
	I	131	40	SC146 (U) or SC581 (U/L) 43.3 lbs 48.2 in	SC147 57.8 lbs 48.0 in	SC148 (U) or SC582 (U/L) 58.1 lbs 48.2 in
	J	164	50	SC150 (U) or SC583 (U/L) 45.5 lbs 50.6 in	SC151 60.0 lbs 50.4 in	SC152 (U) or SC584 (U/L) 60.3 lbs 50.5 in
	K	210	64	SC202 (U) or SC585 (U/L) 49.9 lbs 53.3 in	SC203 64.4 lbs 53.1 in	SC204 (U) or SC586 (U/L) 64.7 lbs 53.3 in
030C	CH	14	4.5	SC004 18.2 lbs 38.7 in	SC004 33.0 lbs 38.3 in	SC004 33.4 lbs 38.5 in
	DH	21	6.5	SC006 17.6 lbs 39.5 in	SC006 17.6 lbs 39.1 in	SC006 17.6 lbs 39.3 in
	E	32	10	SC250 25.3 lbs 39.9 in	SC251 40.1 lbs 39.5 in	SC252 40.4 lbs 39.7 in
	F	42	13	SC254 26.2 lbs 41.9 in	SC255 41.0 lbs 41.5 in	SC256 41.3 lbs 41.6 in
	G	54	16.5	SC258 27.7 lbs 43.8 in	SC259 42.5 lbs 43.5 in	SC260 42.9 lbs 43.6 in
	H	70	21.5	SC262 31.7 lbs 46.6 in	SC263 46.5 lbs 46.2 in	SC264 46.8 lbs 46.4 in

Hoist Capacity Code	Cont. Size	Lift		(N)(SN)ER SCC	(N)(SN)ERM SCC	(N)(SN)ERP/G SCC
		feet	meters	Weight (lbs) Hang Dim. (in)	Weight (lbs) Hang Dim. (in)	Weight (lbs) Hang Dim. (in)
030L, 030S	CH	16	5	SC007 20.4 lbs 39.4 in	SC007 34.9 lbs 39.3 in	SC007 35.2 lbs 39.4 in
	DH	23	7	SC008 22.8 lbs 40.2 in	SC008 37.3 lbs 40.1 in	SC008 37.6 lbs 40.2 in
	E	39	12	SC110 27.4 lbs 40.6 in	SC131 41.9 lbs 40.4 in	SC132 42.2 lbs 40.6 in
	F	49	15	SC134 28.3 lbs 42.6 in	SC135 42.8 lbs 42.4 in	SC136 43.1 lbs 42.6 in
	G	62	19	SC118 29.9 lbs 44.6 in	SC139 44.3 lbs 44.4 in	SC140 44.7 lbs 44.5 in
	H	82	25	SC122 33.8 lbs 47.3 in	SC143 48.3 lbs 47.1 in	SC144 48.6 lbs 47.3 in
	I	105	32	SC146 44.2 lbs 48.2 in	SC147 58.7 lbs 48.0 in	SC148 59.0 lbs 48.2 in
	J	131	40	SC150 46.4 lbs 50.6 in	SC151 60.9 lbs 50.4 in	SC152 61.2 lbs 50.5 in
	K	164	50	SC202 50.6 lbs 53.3 in	SC203 65.1 lbs 53.1 in	SC204 65.4 lbs 53.3 in

Hoist Capacity Code	Cont. Size	Lift		(N)(SN)ER SCC	(N)(SN)ERM SCC	(N)(SN)ERP/G SCC
		feet	meters	Weight (lbs) Hang Dim. (in)	Weight (lbs) Hang Dim. (in)	Weight (lbs) Hang Dim. (in)
050L	CH	11	3.5	SC007 20.4 lbs 41.7 in	SC007 34.9 lbs 42.1 in	SC007 35.4 lbs 42.1 in
	DH	16	5	SC008 22.8 lbs 42.5 in	SC008 37.3 lbs 42.9 in	SC008 37.8 lbs 42.9 in
	E	24	7.5	SC210 27.4 lbs 42.9 in	SC211 41.9 lbs 43.3 in	SC212 42.5 lbs 43.3 in
	F	32	10	SC154 28.3 lbs 44.9 in	SC155 42.8 lbs 45.2 in	SC156 43.3 lbs 45.3 in
	G	41	12.5	SC214 29.9 lbs 46.9 in	SC215 44.3 lbs 47.2 in	SC216 44.9 lbs 47.3 in
	H	52	16	SC218 33.8 lbs 49.6 in	SC219 48.3 lbs 50.0 in	SC220 48.9 lbs 50.0 in
	I	65	20	SC222(U) or SC569 (U/L) 44.2 lbs 50.5 in	SC223 58.7 lbs 50.8 in	SC224 (U) or SC570 (U/L) 59.2 lbs 50.9 in
	J	82	25	SC226 (U) or SC571 (U/L) 46.4 lbs 52.9 in	SC227 60.9 lbs 53.2 in	SC228 (U) or SC572 (U/L) 61.4 lbs 53.3 in
	K	105	32	SC230 (U) or SC573 (U/L) 54.1 lbs 55.6 in	SC231 68.6 lbs 56.0 in	SC232 (U) or SC574 (U/L) 69.1 lbs 56.0 in

Hoist Capacity Code	Cont. Size	Lift		*ER LUG-MT SCC Hang Dim. (in)	ERM SCC Hang Dim. (in)	ERP/G SCC Hang Dim. (in)
		feet	meters			
080S	DH	9.5	3	SC008	SC008	SC008
				41.1 in	47.1 in	47.1 in
	E	16	5	SC560	SC520	SC520
				41.5 in	47.5 in	47.5 in
	F	21	6.5	SC561	SC521	SC521
				43.4 in	49.4 in	49.4 in
	G	26	8	SC562	SC522	SC522
				45.4 in	51.4 in	51.4 in
H	34	10.5	SC563	SC523	SC523	
			48.1 in	54.1 in	54.1 in	
I	42	13	SC564	SC524	SC524	
			49.0 in	55.0 in	55.0 in	
J	54	16.5	SC500	SC525	SC525	
			51.4 in	57.4 in	57.4 in	
K	68	21	SC565	SC526	SC526	
			54.1 in	60.1 in	60.1 in	
100L	E	11	3.5	SC560	SC527	SC527
				40.9 in	46.9 in	46.9 in
	F	16	5	SC561	SC528	SC528
				42.8 in	48.8 in	48.8 in
	G	19	6	SC562	SC529	SC529
				44.8 in	50.8 in	50.8 in
	H	26	8	SC563	SC530	SC530
47.6 in				53.6 in	53.6 in	
I	32	10	SC566	SC531	SC531	
			48.4 in	54.4 in	54.4 in	
J	41	12.5	SC567	SC532	SC532	
			50.8 in	56.8 in	56.8 in	
K	52	16	SC568	SC533	SC533	
			53.6 in	59.6 in	59.6 in	

* Hang distance for ER080S with out trolley is measured from center of lug hole to bottom of chain container.

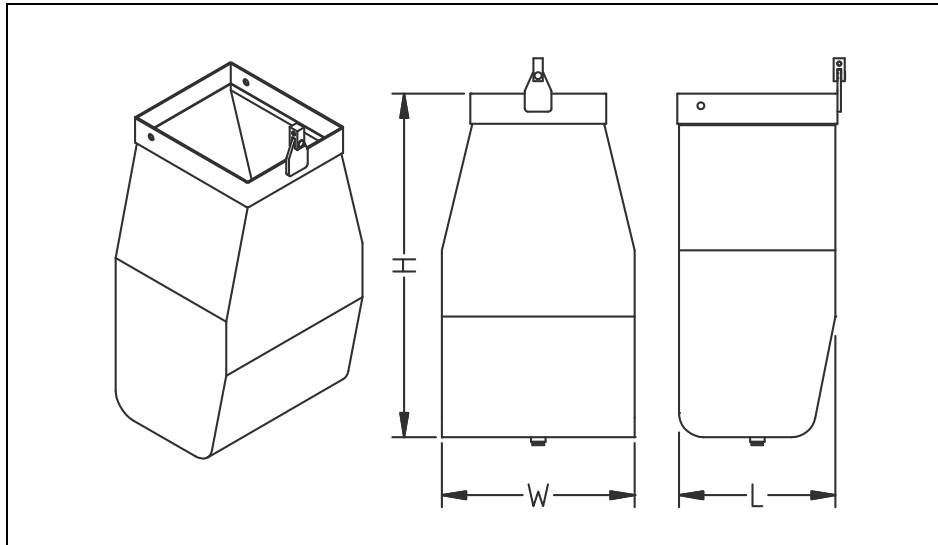
Hoist Capacity Code	Cont. Size	Lift		ER SCC Hang Dim. (in)	ERM SCC Hang Dim. (in)	ERP/G SCC Hang Dim. (in)
		feet	meters			
100S*	CH	11	3.5	SC502 51.9 in	SC502 46.2 in	SC502 46.2 in
	DH	16	5	SC503 52.7 in	SC503 47.0 in	SC503 47.0 in
	E	24	7.5	SC550 53.0 in	SC550 47.4 in	SC550 47.4 in
	F	32	10	SC551 55.0 in	SC551 49.4 in	SC551 49.4 in
	G	41	12.5	SC552 57.0 in	SC552 51.4 in	SC552 51.4 in
	H	52	16	SC553 59.7 in	SC553 54.1 in	SC553 54.1 in
	I	65	20	SC554 60.6 in	SC554 55.0 in	SC554 55.0 in
	J	82	25	SC555 63.0 in	SC555 57.4 in	SC555 57.4 in
	K	105	32	SC556 65.7 in	SC556 60.1 in	SC556 60.1 in

* Chain container assemblies for 100S, 150S and 200S include two containers to accommodate the dual hoist body configuration.

Hoist Capacity Code	Cont. Size	Lift		ER SCC Hang Dim. (in)	ERM SCC Hang Dim. (in)	ERG SCC Hang Dim. (in)
		feet	meters			
150S*	DH	9.5	3	SC503	SC503	SC503
				55.9 in	47.3 in	47.3 in
	E	16	5	SC550	SC550	SC550
				56.3 in	47.7 in	47.7 in
	F	21	6.5	SC551	SC551	SC551
				58.3 in	49.7 in	49.7 in
	G	26	8	SC552	SC552	SC552
				60.3 in	51.6 in	51.6 in
H	34	10.5	SC553	SC553	SC553	
			63.0 in	54.4 in	54.4 in	
I	42	13	SC554	SC554	SC554	
			63.9 in	55.3 in	55.3 in	
J	54	16.5	SC555	SC555	SC555	
			66.3 in	57.6 in	57.6 in	
K	68	21	SC556	SC556	SC556	
			69.0 in	60.4 in	60.4 in	
200S*	E	11	3.5	SC550	SC550	SC550
				59.5 in	47.9 in	47.9 in
	F	16	5	SC551	SC551	SC551
				61.5 in	49.9 in	49.9 in
	G	19	6	SC552	SC552	SC552
				63.5 in	51.9 in	51.9 in
	H	26	8	SC553	SC553	SC553
66.2 in				54.6 in	54.6 in	
I	32	10	SC554	SC554	SC554	
			67.1 in	55.5 in	55.5 in	
J	41	12.5	SC555	SC555	SC555	
			69.5 in	57.9 in	57.9 in	
K	52	16	SC556	SC556	SC556	
			72.2 in	60.6 in	60.6 in	

* Chain container assemblies for 100S, 150S and 200S include two containers to accommodate the dual hoist body configuration.

4) Containers Dimensions



Container Size	H		L		W	
	mm	inch	mm	inch	mm	inch
AH	330	12.99	180	7.09	180	7.09
BH	380	14.96	180	7.09	180	7.09
CH	490	19.29	210	8.27	180	7.09
DH	510	20.08	230	9.06	220	8.66
A	380	14.96	260	10.24	220	8.66
B	430	16.93	260	10.24	220	8.66
C	490	19.29	260	10.24	220	8.66
D	510	20.08	260	10.24	220	8.66
E	520	20.47	260	10.24	320	12.6
F	570	22.44	260	10.24	320	12.6
G	620	24.41	260	10.24	320	12.6
H	690	27.17	310	12.2	320	12.6
I	690	27.17	320	12.6	400	15.75
J	750	29.53	350	13.78	400	15.75
K	820	32.28	375	14.76	400	15.75

5) Assembly Drawing Numbers

Container Assy. No.	Drawing
SC001	60504
SC002	60505
SC004	60506
SC006	60507
SC007	60508
SC008	60509
SC010	60510
SC011	60511
SC012	60512
SC014	60513
SC015	60514
SC016	60515
SC018	60516
SC019	60517
SC020	60518
SC027	60519
SC028	60520
SC030	60521
SC031	60522
SC032	60523
SC035	60524
SC036	60525
SC038	60526
SC039	60527
SC040	60528
SC043	60529
SC044	60530
SC046	60531
SC047	60532
SC048	60533
SC050	60534
SC051	60535
SC052	60536
SC054	60537
SC055	60538
SC056	60539
SC058	60540
SC059	60541
SC060	60542
SC062	60543
SC063	60544

Container Assy. No.	Drawing
SC064	60545
SC066	60546
SC067	60547
SC068	60548
SC070	60549
SC071	60550
SC072	60551
SC074	60552
SC075	60553
SC076	60554
SC079	60555
SC080	60556
SC087	60557
SC088	60558
SC095	60559
SC096	60560
SC103	60561
SC104	60562
SC110	60563
SC111	60564
SC112	60565
SC115	60566
SC116	60567
SC118	60568
SC119	60569
SC120	60570
SC122	60571
SC123	60572
SC124	60573
SC126	60574
SC127	60575
SC128	60576
SC131	60577
SC132	60578
SC134	60579
SC135	60580
SC136	60581
SC139	60582
SC140	60583
SC143	60584
SC144	60585

Container Assy. No.	Drawing
SC146	60586
SC147	60587
SC148	60588
SC150	60589
SC151	60590
SC152	60591
SC154	60592
SC155	60593
SC156	60594
SC162	60595
SC163	60596
SC164	60597
SC166	60598
SC167	60599
SC168	60600
SC202	60601
SC203	60602
SC204	60603
SC210	60604
SC211	60605
SC212	60606
SC214	60607
SC215	60608
SC216	60609
SC218	60610
SC219	60611
SC220	60612
SC222	60613
SC223	60614
SC224	60615
SC226	60616
SC227	60617
SC228	60618
SC230	60619
SC231	60620
SC232	60621
SC250	60622
SC251	60623
SC252	60624
SC254	60625
SC255	60626

Container Assy. No.	Drawing
SC256	60627
SC258	60628
SC259	60629
SC260	60630
SC262	60631
SC263	60632
SC264	60633
SC500	60634
SC502	60636
SC503	60637
SC520	60638
SC521	60639
SC522	60640
SC523	60641
SC524	60642
SC525	60643
SC526	60644
SC527	60645
SC528	60646
SC529	60647
SC530	60648
SC531	60649
SC532	60650
SC533	60651
SC550	60652
SC551	60653
SC552	60654
SC553	60655
SC554	60656
SC555	60657
SC556	60658
SC560	60659
SC561	60660
SC562	60661
SC563	60662
SC564	60663
SC565	60664
SC566	60665
SC567	60666
SC568	60667