



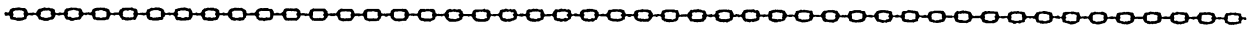
401 West End Avenue, Manheim, PA 17545 • USA
<http://www.industry.net/harrington>

Phone 717-665-2000

ER Series Electric Chain Hoist

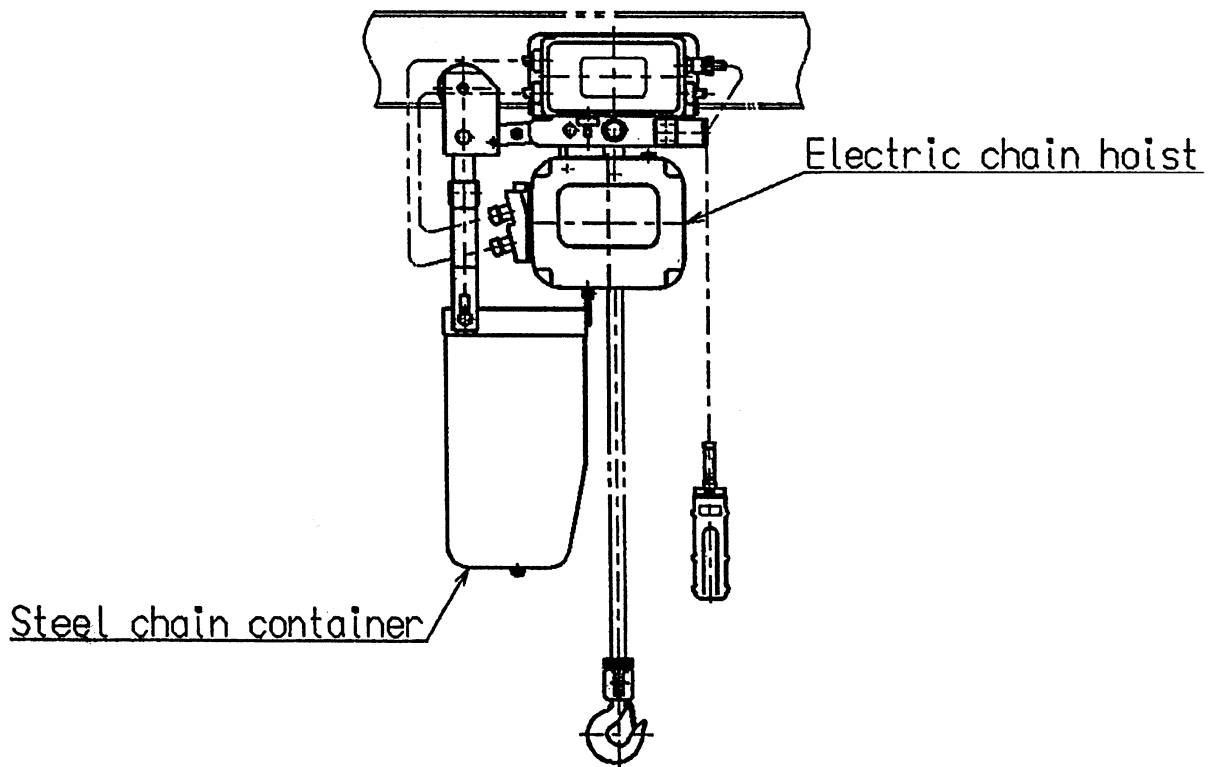
STEEL CHAIN CONTAINER

Instruction Manual



⚠ CAUTION This instruction manual describes specific instructions related to the Steel Chain Container for ER Series Electric Chain Hoist. Refer also to the "ELECTRIC CHAIN HOIST-ER & NER SERIES" instructions manual before use.

1. Product Overview



⚠ CAUTION

- Upon unpacking, please check that all the necessary parts are enclosed.
- The above illustration shows a typical model of the electric chain hoist with a steel chain container. The configuration or design in detail may differ from your customized model.

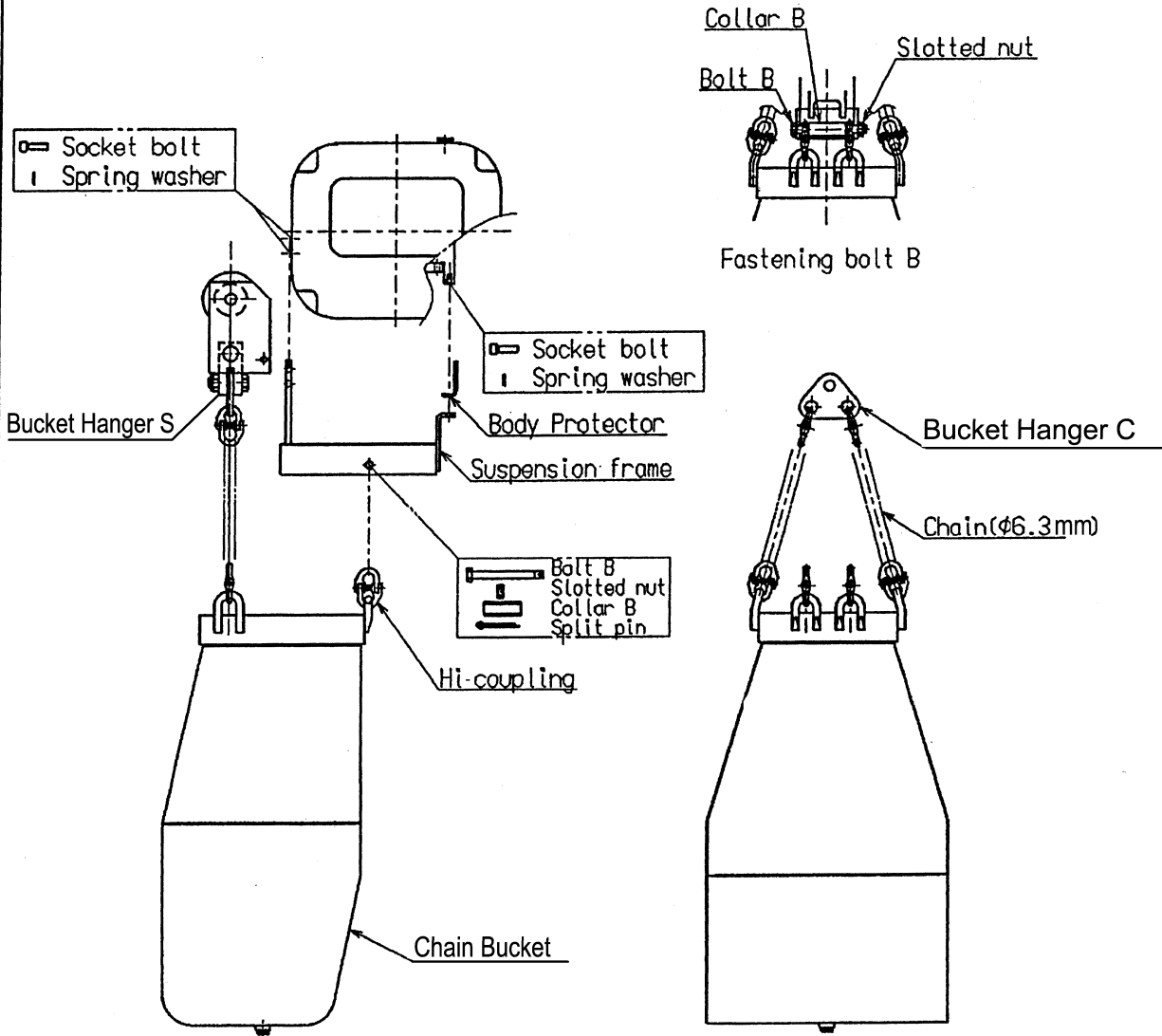
⚡ DANGER

- Use a suitably sized chain bucket depending on lifting height of the hoist. An under-sized chain bucket may cause an accidental fall of the bucket or could break the chain.
- When installing the chain bucket, leave some load chain (20-24 inches or 50-60cm in length) in the chain container (no - load side).
After setting the chain bucket in place, lift the hook to feed the rest of the chain into the container.
Note that the chain should be stored in the container without a twist or a kink.

2 - Wheel Chain Suspension type

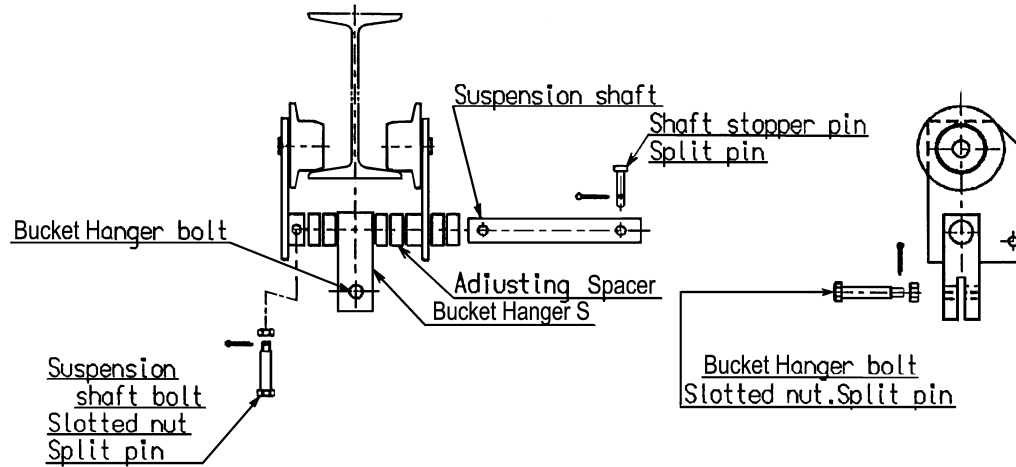
Basic Unit ER - E

* Chain size: dia. 10mm x 43.1meters lift or more, dia. 11.2mm x 32.1 meters lift or more, and dia. 12.5mm x 25.1 meters lift or more.



- ◆Fasten the suspension frame to the chain hoist firmly with the socket bolt.
- ◆Fasten the chain container firmly with the bolt B, collar B, slotted nut and split pin.

4. Assembly of KC Type



- ◆ The suspension shaft is available in three sizes (standard, 200mm and 300mm) depending upon the width of the rail. Specify it upon ordering.
- ◆ Refer to the Table 1 for the adjustment of the width of the rail.
- ◆ Assemble the units correctly in accordance with the arrangement shown above.

When you install ERM100L-L, please refer to the following list.

TABLE 1 - Adjusting collar arrangement for KC type with MR coupled

Numbers of Adjusting Collars		140	150	153	155	160	163	170	175	178	180/181	184/185	200	203	215	220
Inner	Thin Spacer	t=3.2	4+4	1+1	1+2	2+3	3+3	4+4	1+1	1+2	2+2	2+3	1+1	1+2	3+3	4+4
	Thick Spacer	t=12.5	2+2	3+3	3+3	3+3	3+3	3+3	4+4	4+4	4+4	4+4	5+5	5+5	5+5	5+5
	Fixing Spacer	t=7	1+1	1+1	1+1	1+1	1+1	1+1	1+1	1+1	1+1	1+1	1+1	1+1	1+1	1+1
Outer	Thin Spacer	t=3.2	3	11	10	8	7	5	11	10	9	8	11	10	7	5
	Thick Spacer	t=12.5	2	9	9	9	9	9	7	7	7	7	5	5	5	5

Note:

1) For your reference, Suspension Shaft for 140MM is shorter than that for standard beam width -150~220MM.

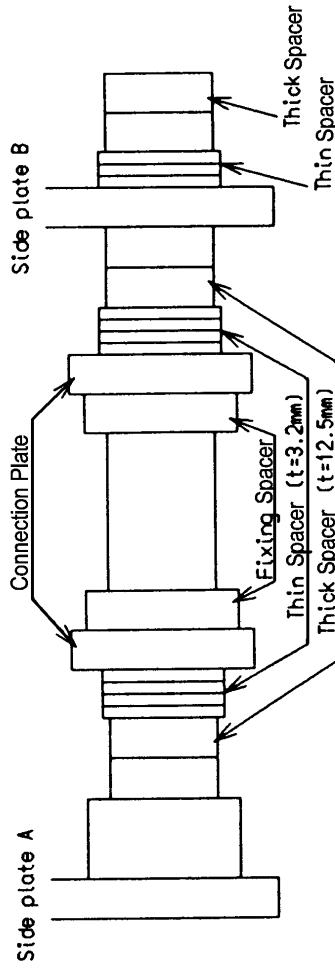
2) Take note of the numbers on collars of inner side as follows:



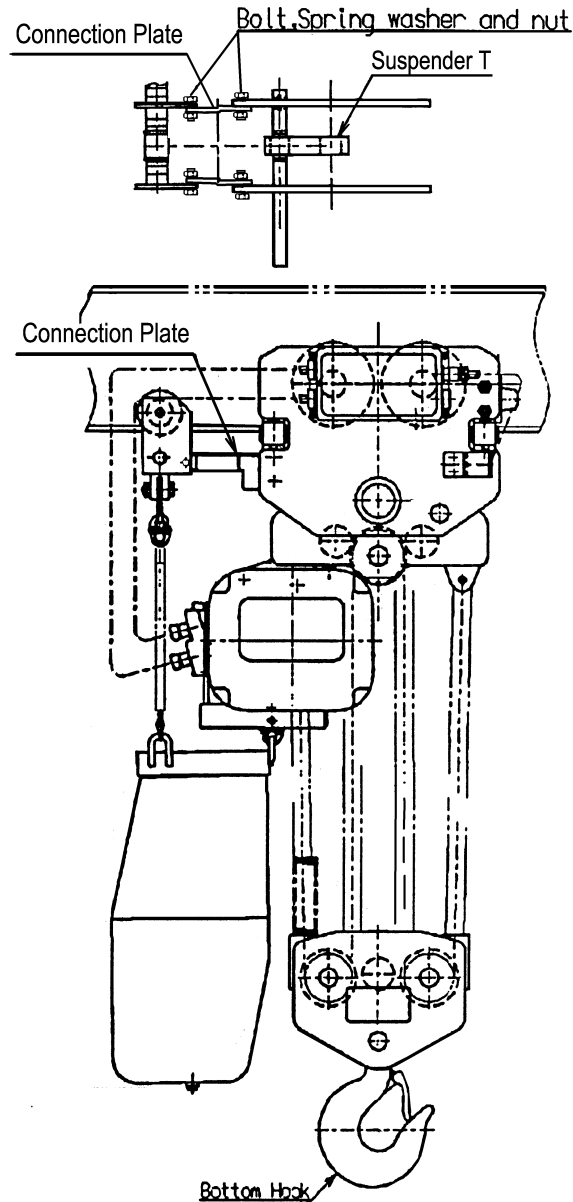
3) Adjustment of trolley width:

Adjust the dimensions by appropriately increasing or decreasing the numbers of inner or outer adjusting collars, without strictly adhering to the number of adjusting collars shown in the above table.

Example of Steel Chain Container Trolley Spacer arrangement.



5. Notes for use of KC type with a trolley



- ◆ The Connection Plate, Fixing Spacer, Thin Spacer and Thick Spacer are enclosed in your package as the standard accessory parts of the steel chain container.
- ◆ KC type hoist is assembled in accordance with the drawings above.
- ◆ Adjust the width of rail on the basis of the Table 1. However, the width of rail for MR trolley shall be adjusted in accordance with the figures indicated in the standard instruction manual.