

WARNING

Improper installation of the Converter Assembly and/or Power Supply Cable could create a potentially hazardous situation which, if not avoided, could result in ***death*** or ***serious injury***. To avoid such a potentially hazardous situation, the Converter Assembly and/or Power Supply Cable should be installed per the following instructions.

SCOPE

These instructions cover the wiring connection of the Power Supply Cable to the Converter Assembly in the ED Series of Electric Chain Hoists.

CONVERTER ASSEMBLY

There are two styles of Converter Assembly - Old style and New Style. The connection of the Power Supply Cable to the Converter Assembly differs between these two styles. Therefore, before you proceed with Power Supply Cable connections, it is necessary to identify whether you have an Old Style or a New Style Converter Assembly. The Instructions below provide information to make this identification.

INSTRUCTIONS

DISCONNECT ALL POWER TO HOIST BEFORE PROCEEDING WITH THESE INSTRUCTIONS!!

When attaching the Power Supply Cable to the ED Converter Assembly refer to the chart below and to Figures 1 and 2 for the correct terminal connections. Use the wire terminals provided with this bulletin, as necessary, to make connections.

| Power Supply Cable – Wire Color | Terminations for ED with 0.4 HP (300w) Motor (see Figure 1) | | Terminations for ED with 0.8 HP (600w) Motor (see Figure 2) | |
|---------------------------------|---|---|---|---|
| | Old Style Conv. Assy. | New Style Conv. Assy. | Old Style Conv. Assy. | New Style Conv. Assy. |
| BLACK | Connect to terminal A on contactor coil using ring terminal. | Connect to terminal A1 on Converter Assy using female disconnect. | Connect to terminal A2 on Converter Assy using ring terminal. | Connect to terminal A1 on Converter Assy using female disconnect. |
| WHITE | Connect to terminal A1 on Converter Assy using female disconnect. | Connect to terminal A on contactor coil using ring terminal. | Connect to terminal A1 on Converter Assy using female disconnect. | Connect to terminal A2 on Converter Assy using ring terminal. |
| GREEN | Connect to ground terminal using ring terminal. | Connect to ground terminal using ring terminal. | Connect to ground terminal using ring terminal. | Connect to ground terminal using ring terminal. |

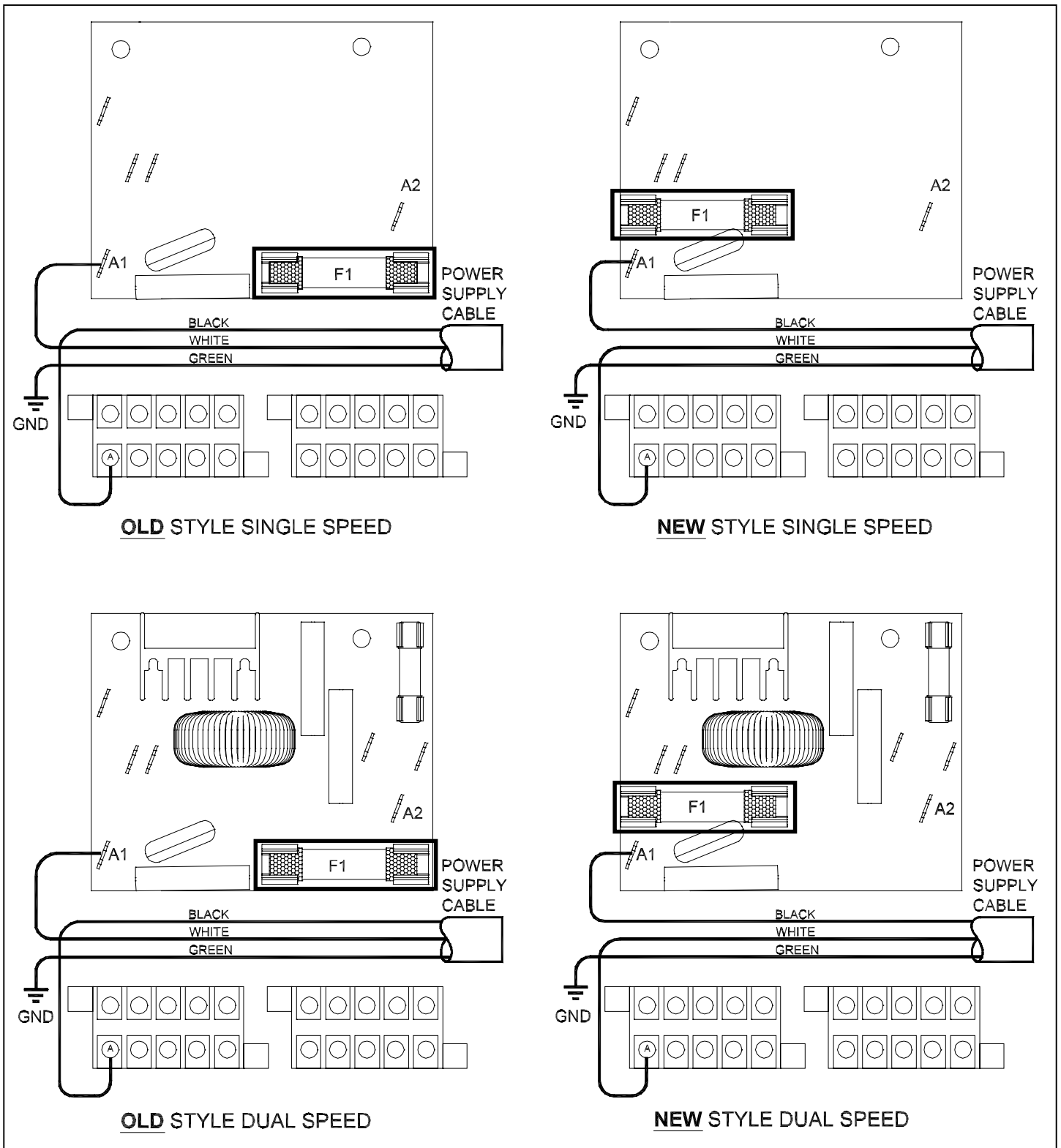


FIGURE 1 - ED Hoist with 0.4-hp (300 W) Motor
Connection of Power Supply Cable to Converter Assembly.

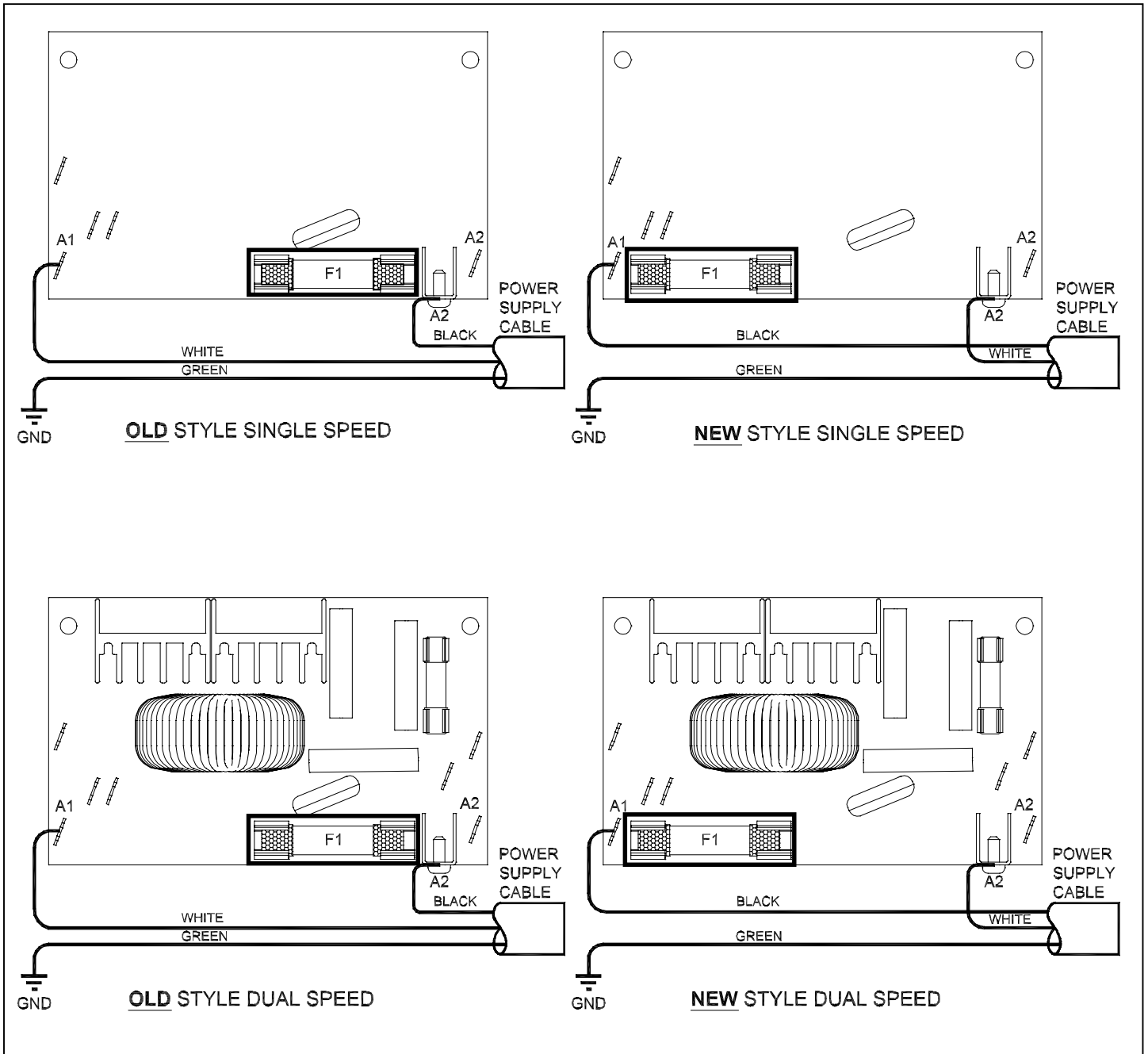


FIGURE 2 – ED Hoist with 0.8-hp (600 W) Motor
Connection of Power Supply Cable to Converter Assembly.



www.harringtonhoists.com

Harrington Hoists, Inc.
401 West End Avenue
Manheim, PA 17545-1703
Phone: 717-665-2000
Toll Free: 800-233-3010
Fax: 717-665-2861

Harrington Hoists – Western Division
2341 Pomona Rincon Rd. #103
Corona, CA 92880-6973
Phone: 909-279-7100
Toll Free: 800-317-7111
Fax: 909-279-7500