
OWNER'S MANUAL

ELECTRIC WIRE ROPE TROLLEY HOIST RH ADVANTAGE SERIES

5, 7½ and 10T Capacity

Hoist Code and Serial Number

⚠ WARNING

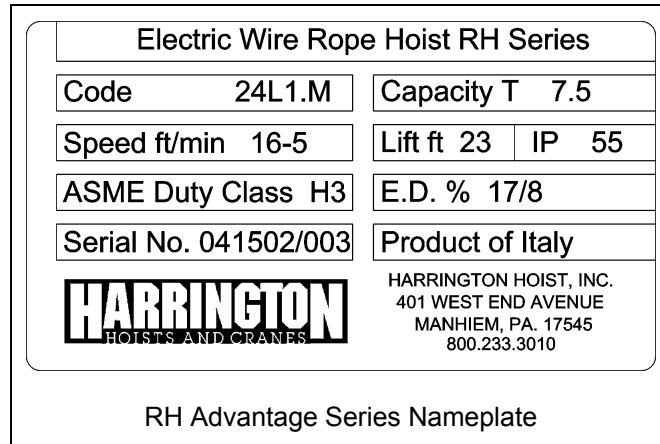
This equipment should not be installed, operated or maintained by any person who has not read and understood all the contents of this manual. Failure to read and comply with the contents of this manual can result in serious bodily injury or death, and/or property damage.

HARRINGTON
HOISTS AND CRANES

9.0 Parts List

When ordering Parts, please provide the Hoist code number and serial number located on the Hoist nameplate (see fig. below).

Reminder: Per sections 1.1 and 3.7.1 to aid in ordering Parts and Product Support, record the Hoist code number and serial number in the space provided on the cover of this manual.



The parts list is arranged into the following sections:

Section	Page
9.1 Hoist Parts	54
9.2 Trolley Parts	58
9.3 Electric Parts	60

10.1 Hoist Parts

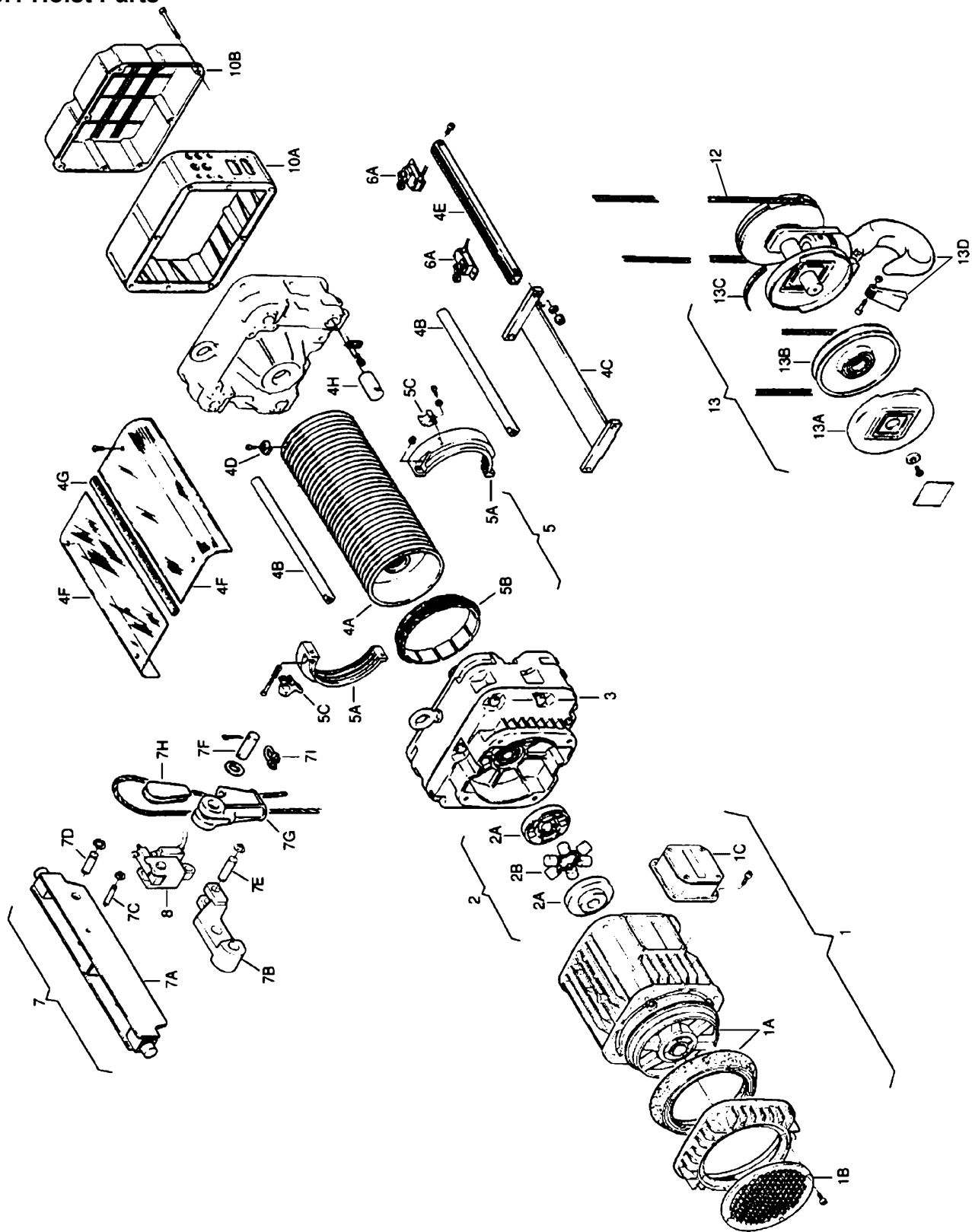


Figure 10-1 Hoist Parts

RH ADVANTAGE HOIST PARTS LIST														
Fig. No.	Part Name	Parts Per Hoist	RH05U23D4G2W-A	RH05U23D4G4W-A	RH05U33D4G2W-A	RH05U33D4G4W-A	RH08U23D3G2W-A	RH08U23D3G4W-A	RH08U33D3G2W-A	RH08U33D3G4W-A	RH10U23D4L2W-A	RH10U23D4L4W-A	RH10U33D4L2W-A	RH10U33D4L4W-A
1	hoist motor – 2 speed, 230V	1	DRH2H0L23								DRH3H0L22			
	hoist motor – 2 speed, 460V	1	DRH2H0M23								DRH3H0M22			
1A	brake shoe + brake lining	1	DRH250373								DRH350375			
1B	fan cover	1	DRH150395								DRH350395			
1C	connection module	1	DRH1A0MC0								DRH3A0MC0			
2	axial joint	1	DRH1A0GA0								DRH3A0GA0			
2A	half joint	1	DRH110230								DRH310230			
2B	rollers assembly	1	DRH110410								DRH310410			
3	reducer	1	DRH2A0RL0								DRH3A0RL0			
4	rope drum cover – 23 ft. lift	1	DRH2A0PN0								DRH3A0PN0			
	rope drum cover – 33 ft. lift	1	DRH2A0PL0								DRH3A0PL0			
4A	rope drum – 23 ft. lift	1	DRH210130								DRH310130			
	rope drum – 33 ft. lift	1	DRH210150								DRH310150			
4B	spacer – 23 ft. lift	2	DRH260190								DRH360190			
	spacer – 33 ft. lift	2	DRH260210								DRH360210			
4C	staybolt – 23 ft. lift	1	DRH210090								DRH310090			
	staybolt – 33 ft. lift	1	DRH210110								DRH310110			
4D	rope clamp	4	DMF160060								DMF360060			
4E	limit switch cover – 23 ft. lift	1	DRH270240								DRH370240			
	limit switch cover – 33 ft. lift	1	DRH270260								DRH370260			
4F	dust cover angle – 23 ft. lift	2	DRH260220*								DRH360220*			
	dust cover angle – 33 ft. lift	2	DRH260240*								DRH360240*			
4G	"H" gasket	1	E2200H000*											
4H	suspension pivot	4	DRH260270								DRH360270			
5	rope guide	1	DRH2A0GH0								DRH3A0GH0			
5A	ring	1	DRH260140								DRH360140			
5B	rope press assembly	1	DRH210430								DRH310430			
5C	limit switch actuator	2	DRH260430								DRH360430			
6A	limit switches	2	E600FLR00											

*Optional Equipment

10.1 Hoist Parts

RH ADVANTAGE HOIST PARTS LIST														
Fig. No.	Part Name	Parts Per Hoist	RH05U23D4G2W-A	RH05U23D4G4W-A	RH05U33D4G2W-A	RH05U33D4G4W-A	RH08U23D3G2W-A	RH08U23D3G4W-A	RH08U33D3G2W-A	RH08U33D3G4W-A	RH10U23D4L2W-A	RH10U23D4L4W-A	RH10U33D4L2W-A	RH10U33D4L4W-A
7	anchorage cross head assy, 23 ft. lift	1	DRH2A0CN2								DRH3A0CN1			
	anchorage cross head assy, 33 ft. lift	1	DRH2A0CL2								DRH3A0CL1			
7A	anchorage cross head, 23 ft. lift	1	DRH210062								DRH310061			
	anchorage cross head, 23 ft. lift	1	DRH210082								DRH310081			
7B	lever	1	DRH270195								DRH370195			
7C	limiter pivot	1	DRH270210								DRH370211			
7D	lever pivot	1	DRH270200								DRH370201			
7E	staybolt pivot	1	DRH170180											
7F	terminal pivot	1	DRH270300								DRH370300			
7G	terminal	1	DRH270150								DRH370150			
7H	terminal wedge	1	DRH270160								DRH370160			
7I	wire rope clamp	1	D65000F08								D65000F13			
8	lever support	1	DRH170220								DRH370220			
	load limiter		DRH1A0C20*				DRH1A0C00				DRH3A0C20*			
10A	electrical frame	1	DRH210940								60854			
10B	cover	1	DRH210950								DRH360850			
12	rope – 23 ft. lift	1	DRH270540				DRH270570				DRH370540			
	rope – 33 ft. lift	1	DRH270560				DRH270580				DRH370560			
13	4 falls hook block	1	DRH2A0B40								DRH3A0B41			
13A	hook side cheek	4	DMF150015								DRH350010			
13B	hook pulley assembly	2	DRH210120								DRH310120			
13C	side cheek gasket	6	DMF150005								DRH350005			
13D	safety latch	1	DRH2A0MOS								3CR750MOS			

*Optional Equipment

This Page Intentionally Left Blank

10.2 Trolley Parts

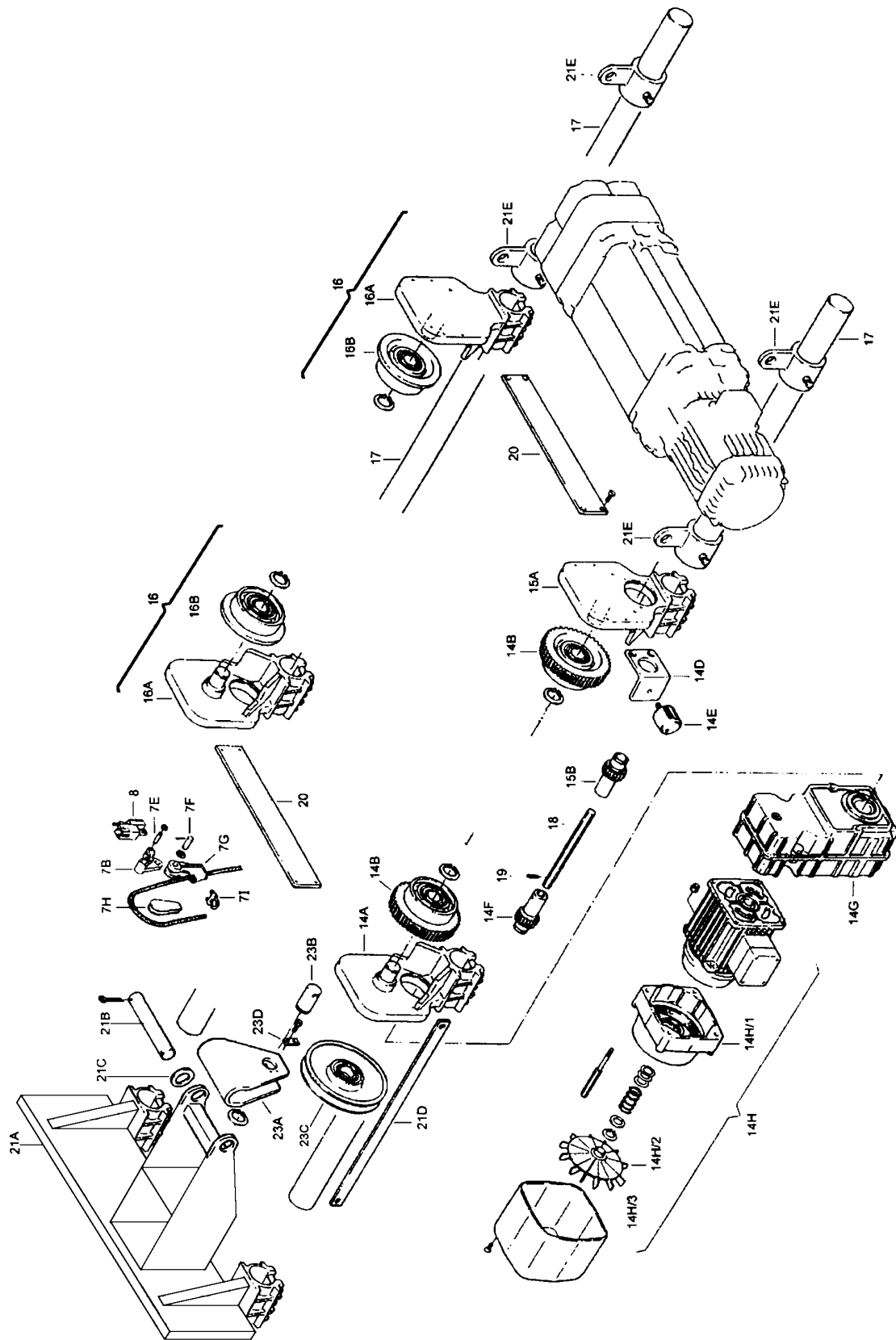


Figure 10-2 Trolley Parts

10.2 Trolley Parts

RH ADVANTAGE TROLLEY PARTS LIST														
Fig. No.	Part Name	Parts Per Trolley	RH05U23D4G2W-A	RH05U23D4G4W-A	RH05U33D4G2W-A	RH05U33D4G4W-A	RH08U23D3G2W-A	RH08U23D3G4W-A	RH08U33D3G2W-A	RH08U33D3G4W-A	RH10U23D4L2W-A	RH10U23D4L4W-A	RH10U33D4L2W-A	RH10U33D4L4W-A
14A	drive plate	1	DST210065								DST310065			
14B	drive wheel assembly	2	DST210080								DST310080			
14D	buffer plate	4	DST250251								DST350251			
14E	buffer	4	DST150240								DST350240			
14F	drive sprocket	1	DST250105								DST350100			
14G	reducer	1	DST1A0R20								DST3A0R20			
14H	trolley motor – 2 speed, 230V	1	DGR1H03L0								DGR2H03L0			
14H	trolley motor – 2 speed, 460V	1	DGR1H03M0								DGR2H03M0			
14H1	motor cover	1	DGR120220								DGR220220			
14H2	fan	1	EVMEC0715								EVMEC0805			
14H3	fan cover	1	DGR160450								DGR260450			
15	drive plate assembly	1	DST2B0E10								DST3B0E10			
15A	drive plate	1	DST210065								DST310065			
15B	cog wheel	1	DST250110								DST350110			
16	idle plate assembly	2	DST2B0E20								DST3B0E20			
16A	idler plate	2	DST210075								DST310075			
16B	idle wheel assembly	2	DST210090								DST310090			
17	connecting bar	2	DST250585								DST350585			
18	transmission bar	1	DST150340								DST350340			
19	roll pin	1	D08004030											
20	connection plate, 23 ft. lift	2	DST250265								DST350265			
20	connection plate, 33 ft. lift	2	DST250285								DST350285			
21A	balance weight, 23 ft. lift	1	DST210105								DST310105			
21A	balance weight, 33 ft. lift	1	DST210125								DST310125			
21B	transverse pivot pin	1	DST250520								DST350520			
21C	washer	2	DST250530								DST350530			
21D	balance weight spacer	2	DST250565								DST350565			
21E	hoist support	4	DST250620								DST350620			
23	pulley assembly	1	DST2A0DR0								DST3A0DR0			
23A	pulley transverse	1	DST250510								DST350510			
23B	pulley pivot	1	DST250550								DST350550			
23C	pulley	1	DRH210120								DRH310120			
23D	pivot stop	1	DMF350260											

10.3 Electrical Parts

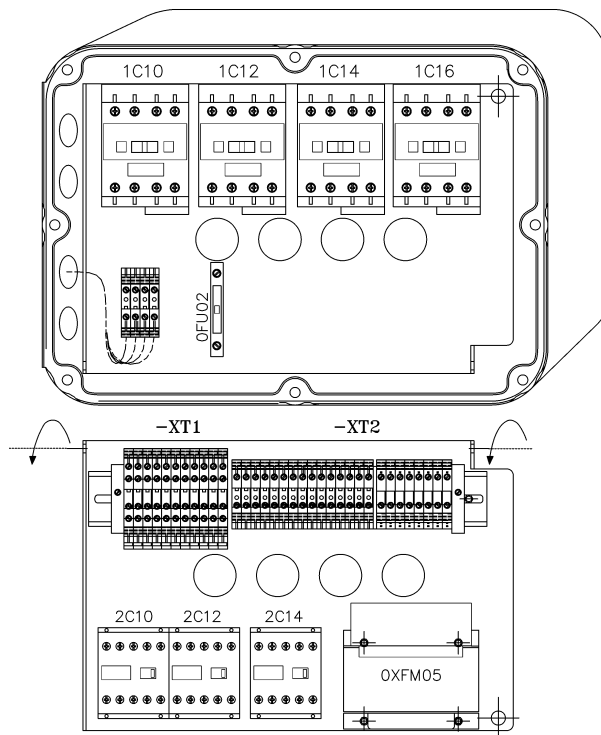


Figure 10-3 5T and 7 1/2T Electrical Components

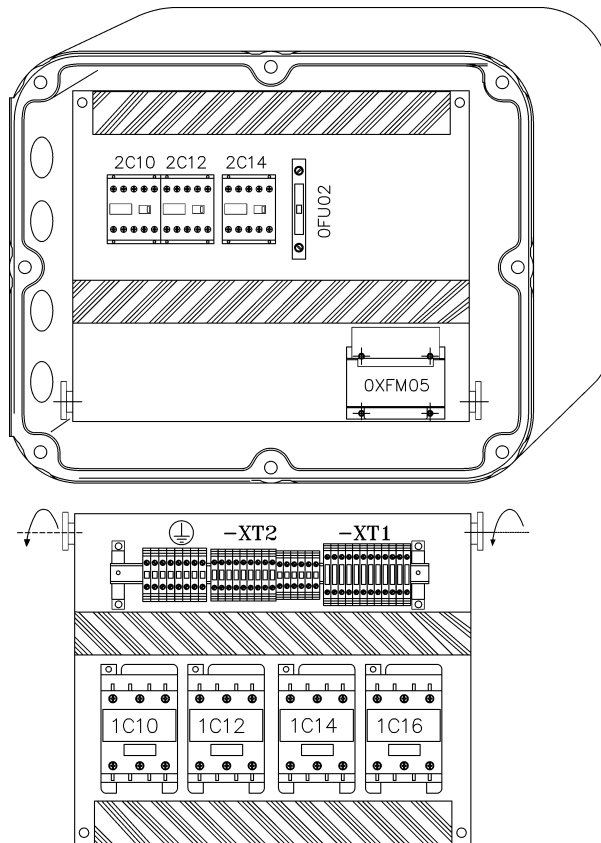


Figure 10-4 10T Electrical Components

10.3 Electrical Parts

RH ADVANTAGE ELECTRICAL COMPONENTS PARTS LIST														
POS.	DESCRIPTION	Parts Per Hoist	RH05U23D4G2W-A	RH05U23D4G4W-A	RH05U33D4G2W-A	RH05U33D4G4W-A	RH08U23D3G2W-A	RH08U23D3G4W-A	RH08U33D3G2W-A	RH08U33D3G4W-A	RH10U23D4L2W-A	RH10U23D4L4W-A	RH10U33D4L2W-A	RH10U33D4L4W-A
1C10	lift/lower rev.contactor, 230V	1	E6C1D403F				E6C1D633F							
1C12	lift/lower rev.contactor, 230V	1	E6C1D403F				E6C1D633F							
1C14	slow/fast contactor, 230V	1	E6C1D403F				E6C1D633F							
1C16	slow/fast contactor, 230V	1	E6C1D403F				E6C1D633F							
2C10	right/left contactor, 230V	1	EC2K0901F											
2C12	right/left contactor, 230V	1	EC2K0901F											
2C14	slow/fast contactor, 230V	1	EC1K0908F											
0XFM05	transformer, 230V	1	E05160M30											
0FU02	fus.sec.1TC	1	9006272											

RH ADVANTAGE ELECTRICAL COMPONENTS PARTS LIST														
POS.	DESCRIPTION	Parts Per Hoist	RH05U23D4G2W-A	RH05U23D4G4W-A	RH05U33D4G2W-A	RH05U33D4G4W-A	RH08U23D3G2W-A	RH08U23D3G4W-A	RH08U33D3G2W-A	RH08U33D3G4W-A	RH10U23D4L2W-A	RH10U23D4L4W-A	RH10U33D4L2W-A	RH10U33D4L4W-A
1C10	lift/lower rev.contactor, 460V	1	EC2D2501F				E6C1D403F							
1C12	lift/lower rev.contactor, 460V	1	EC2D2501F				E6C1D403F							
1C14	slow/fast contactor, 460V	1	E6C1D258F				E6C1D403F							
1C16	slow/fast contactor, 460V	1	E6C1D258F				E6C1D403F							
2C10	right/left contactor, 460V	1	EC2K0901F											
2C12	right/left contactor, 460V	1	EC2K0901F											
2C14	slow/fast contactor, 460V	1	EC1K0908F											
0XFM05	transformer, 460V	1	E05063M10				E05160M10							
0FU02	fus.sec.1TC	1	9006272											