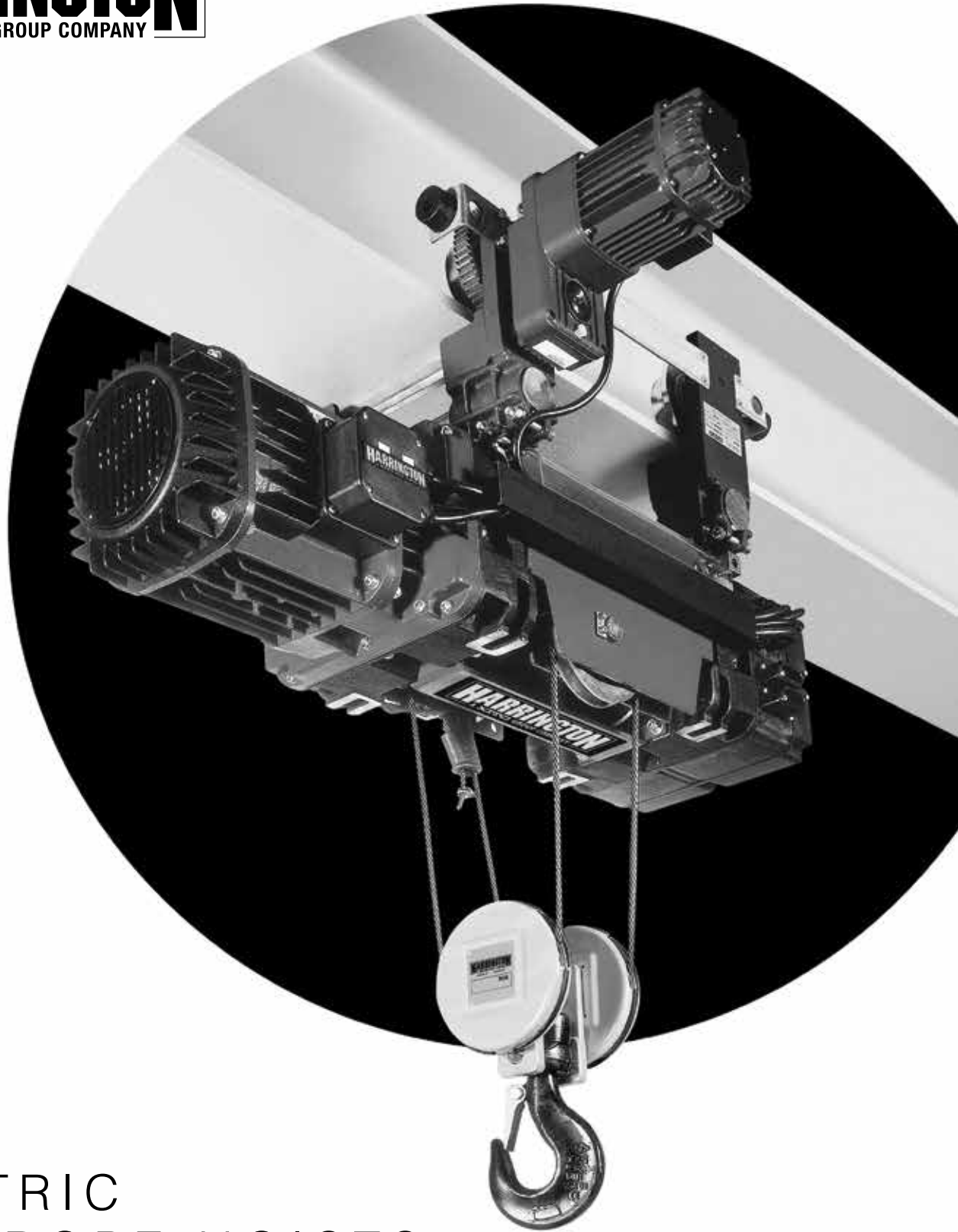


HARRINGTON
A KITO GROUP COMPANY



ELECTRIC
WIRE ROPE HOISTS

TECHNICAL MANUAL

Table of Contents

RH Electric Wire Rope Hoists and Trolleys

Product Introduction	3
Product Code	3

Deck/Base Mounted or Lug Suspended Hoists

Specifications	4
Dimensions	5

Standard Headroom Trolley Hoists

Hoist Specifications	6
Trolley Specifications	7
Dimensions	8

Ultra-Low Headroom Trolley Hoists

Hoist Specifications	9
Trolley Specifications	10
Headroom Specifications	10
Dimensions	11

Additional Technical Information

Eye Bolt and Attachment Point Dimensions	12
Bottom Hook Dimensions	13
Reaction Forces at Rated Load	14
Trolley Wheels Dimensions	15

Product Introduction

The RH electric wire rope hoists and trolleys have been developed for use in heavy-duty service applications and are extremely durable, highly reliable and require very low maintenance.

The modular body construction is suitable for all mounting configurations with the hoist oriented parallel to the beam. A single-axis or in-line design with the motor, gear box and rope drum sharing the same axis results in a low-profile, low headroom hoist.

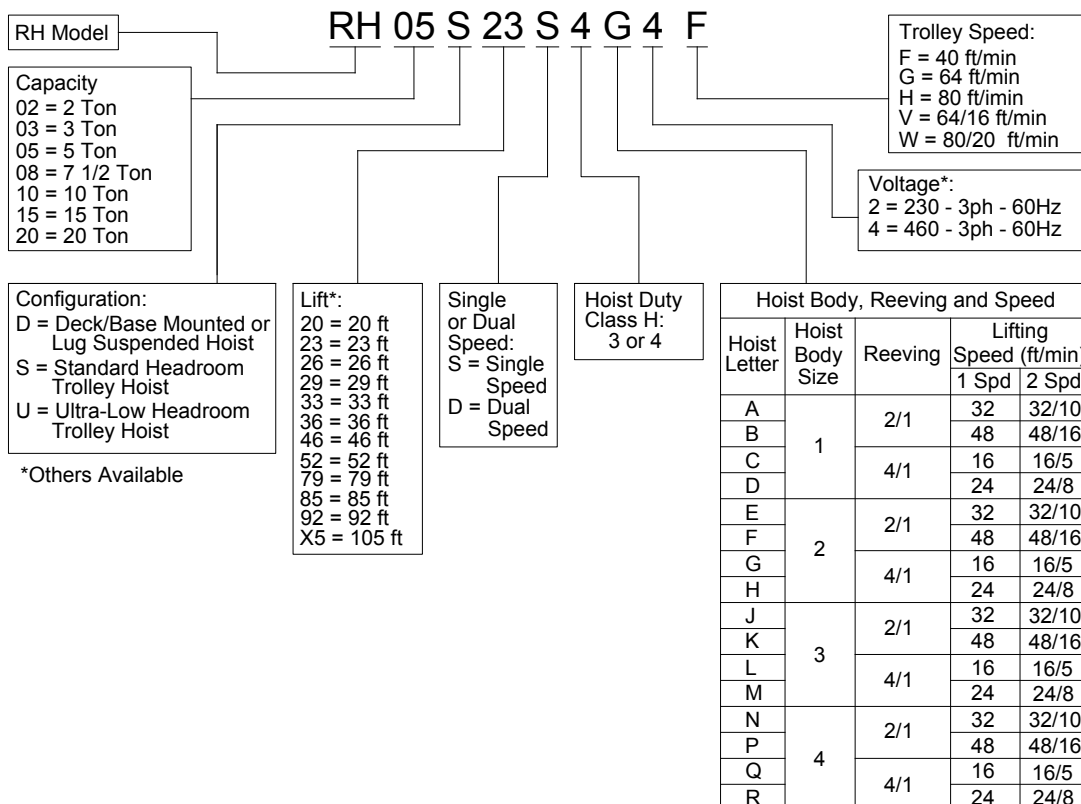
Hoists and trolleys are available in any combination of single or dual speed models in a variety of speed combinations. Additional standard features include:

- Electromechanical load limiting device
- Pull rotor brake, asbestos-free, fan-cooled
- Heavy duty motor, Class F insulation, thermal protection
- Rubber trolley bumpers
- Triple reduction helical gearing
- Premium wire rope, self-tensioning rope guide
- External limit switches
- Temperature range of 14°F to 104°F
- Maximum relative humidity 80%
- Two opposing driven trolley wheels

Our RH hoists are shipped with the bottom block loose for customer reeving. Pendant, pendant cord and power supply cord are offered as options along with alternate voltages, eye bolt kits and trolley travel limit switches. The trolley flange width is adjustable by customer and all trolleys are compatible with S or W beams.

Refer to Harrington's catalog C-EWRH entitled Electric Wire Rope Hoists for complete details on features and benefits.

Product Code



DECK/BASE MOUNTED OR LUG SUSPENDED HOISTS — SPECIFICATIONS

Capacity (Tons)	Product Code	Lift (ft)	Lifting Speed (ft/min)		Reeving (parts/reaving)	Rope (mm)	Single Speed Lifting Motor 3 Phase 60Hz			Dual Speed Lifting Motor 3 Phase 60Hz			Net Weight (lbs)							
			Single Speed	Dual Speed			Output (Hp)	Rated Current (amps)		Output (Hp)	Rated Current (amps)									
								@460V	@230V		@460V	@230V								
2	RH02D-20①4C-②	20	16	16/5	4/1	7	4.9	7.7	15.4	4.9/1.6	7.7/6.3	15.4/12.5	331							
	RH02D-29①4C-②	29											375							
	RH02D-20①4D-②	20	24	24/8									331							
	RH02D-29①4D-②	29											375							
	RH02D-39①3A-②	39	32	32/10	2/1								7	311						
	RH02D-79①3A-②	79											7*	353						
3	RH03D-20①4C-②	20	16	16/5	4/1	7	4.9	7.7	15.4	4.9/1.6	7.7/6.3	15.4/12.5	331							
	RH03D-29①4C-②	29											375							
	RH03D-23①4H-②	23	24	24/8									9	452						
	RH03D-33①4H-②	33												518						
	RH03D-46①3E-②	46	32	32/10	2/1								9	8.2	11.5	23.0	8.2/2.7	11.5/9.6	23.0/19.0	430
	RH03D-85①3E-②	85																		9*
5	RH05D-23①4G-②	23	16	16/5	4/1	9	8.2	11.5	23.0	8.2/2.7	11.5/9.6	23.0/19.0	452							
	RH05D-33①4G-②	33											518							
	RH05D-23①4M-②	23	24	24/8									13	16.3	21.0	42.0	16.3/5.4	23.0/17.3	46.0/34.5	1190
	RH05D-33①4M-②	33																		1378
	RH05D-46①4J-②	46	32	32/10	2/1								13	26.1	33.0	69.0	26.1/8.6	36.5/29.0	79.0/60.0	1080
	RH05D-92①4J-②	92																		13*
	RH05D-52①4P-②	52	48	48/16	16								26.1	33.0	69.0	26.1/8.6	36.5/29.0	79.0/60.0	1962	
	RH05D-X5①4P-②	105																	16*	2227
7 1/2	RH08D-23①4L-②	23	16	16/5	4/1	13	16.3	21.0	42.0	16.3/5.4	23.0/17.3	46.0/34.5	1190							
	RH08D-33①4L-②	33											1378							
	RH08D-23①3M-②	23	24	24/8									13	26.1	33.0	69.0	26.1/8.6	36.5/29.0	79.0/60.0	1190
	RH08D-33①3M-②	33																		1378
	RH08D-52①4N-②	52	32	32/10	2/1								16	26.1	33.0	69.0	26.1/8.6	36.5/29.0	79.0/60.0	1962
	RH08D-X5①4N-②	105																		16*
10	RH10D-23①4L-②	23	16	16/5	4/1	13	16.3	21.0	42.0	16.3/5.4	23.0/17.3	46.0/34.5	1190							
	RH10D-33①4L-②	33											1378							
	RH10D-26①4R-②	26	24	24/8									16	26.1	33.0	69.0	26.1/8.6	36.5/29.0	79.0/60.0	2205
	RH10D-36①4R-②	36																		2513
	RH10D-52①3N-②	52	32	32/10	2/1								16	26.1	33.0	69.0	26.1/8.6	36.5/29.0	79.0/60.0	1962
	RH10D-X5①3N-②	105																		16*
15	RH15D-26①4Q-②	26	16	16/5	4/1	16	26.1	33.0	69.0	26.1/8.6	36.5/29.0	79.0/60.0	2205							
	RH15D-36①4Q-②	36											2513							
20	RH20D-26①3Q-②	26	16	16/5	4/1	16	26.1	33.0	69.0	26.1/8.6	36.5/29.0	79.0/60.0	2205							
	RH20D-36①3Q-②	36											2513							

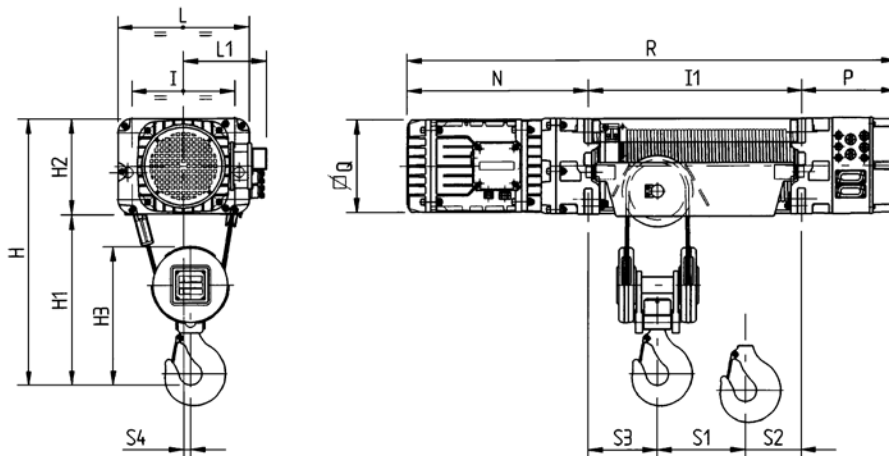
- ① S = Single Speed Hoist
D = Dual Speed Hoist
- ② 2 = 230V - 3ph - 60Hz
4 = 460V - 3ph - 60Hz

*2/1 long lift hoists are fitted with revolving-resistant rope.

DECK/BASE MOUNTED OR LUG SUSPENDED HOISTS — DIMENSIONS *

Capacity (Tons)	Product Code	H (in)	H1 (in)	H2 (in)	H3 (in)	I (in)	I1 (in)	L (in)	L1 (in)	N (in)	P (in)	∅ Q (in)	R (in)	S1 (in)	S2 (in)	S3 (in)	S4 (in)
2	RH02D-20①4C-②	25.6	16.5	9.1	13.6	9.8	20.3	12.6	8.3	18.3	10.0	8.9	48.6	3.9	10.4	5.9	0.6
	RH02D-29①4C-②						35.0						63.4	6.3	22.8	6.5	
	RH02D-20①4D-②						20.3						48.6	3.9	10.4	5.9	
	RH02D-29①4D-②						35.0						63.4	6.3	22.8	6.5	
	RH02D-39①3A-②	27.2	18.1	15.4	15.4	9.8	20.3	12.6	8.3	18.3	10.0	8.9	48.6	7.3	9.3	3.7	1.1
	RH02D-79①3A-②						35.0						63.4	10.8	20.5		
3	RH03D-20①4C-②	25.6	16.5	9.1	13.6	9.8	20.3	12.6	8.3	18.3	10.0	8.9	48.6	3.9	10.4	5.9	0.6
	RH03D-29①4C-②						35.0						63.4	6.3	22.8	6.5	
	RH03D-23①4H-②	29.5	18.9	10.6	15.4	11.4	23.6	14.6	9.3	20.1	10.6	10.2	54.3	5.3	11.2	7.1	0.7
	RH03D-33①4H-②						39.4						70.1	8.3	24	7.9	
	RH03D-46①3E-②	32.3	21.7	10.6	17.5	11.4	23.6	14.6	9.3	20.1	10.6	10.2	54.3	8.7	11.0	3.9	1.2
	RH03D-85①3E-②						39.4						70.1	12.2	23.2		
5	RH05D-23①4G-②	29.5	18.9	10.6	15.4	11.4	23.6	14.6	9.3	20.1	10.6	10.2	54.3	5.3	11.2	7.1	0.7
	RH05D-33①4G-②						39.4						70.1	8.3	24.0	7.9	
	RH05D-23①4M-②	40.2	25.2	15.0	21.3	14.6	29.1	18.9	11.4	27.0	8.1	11.8	64.2	6.3	13.4	9.4	0.9
	RH05D-33①4M-②						49.6						84.6	9.4	30.7	10.6	
	RH05D-46①4J-②	42.9	28.0	23.4	23.4	14.6	29.1	18.9	11.4	27.0	8.1	11.8	64.2	10.4	13.6	5.1	1.6
	RH05D-92①4J-②						49.6						84.6	14.8	29.7		
	RH05D-52①4P-②	55.1	36.2	18.5	29.5	18.1	33.9	23.6	14.2	32.9	8.7	13.4	76.2	11.4	15.7	6.7	1.8
	RH05D-X5①4P-②						55.9						98.2	15.7	33.5		
7 1/2	RH08D-23①4L-②	40.2	25.2	15.0	21.3	14.6	29.1	18.9	11.4	27.0	8.1	11.8	64.2	6.3	13.4	9.4	0.9
	RH08D-33①4L-②						49.6						84.6	9.4	30.7	10.6	
	RH08D-23①3M-②						29.1						64.2	6.3	13.4	9.4	
	RH08D-33①3M-②						49.6						84.6	9.4	30.7	10.6	
	RH08D-52①4N-②	55.1	36.2	18.5	29.5	18.1	33.9	23.6	14.2	32.9	8.7	13.4	76.2	11.4	15.7	6.7	1.8
	RH08D-X5①4N-②						55.9						98.2	15.7	33.5		
10	RH10D-23①4L-②	40.2	25.2	15.0	21.3	14.6	29.1	18.9	11.4	27	8.1	11.8	64.2	6.3	13.4	9.4	0.9
	RH10D-33①4L-②						49.6						84.6	9.4	30.7	10.6	
	RH10D-26①4R-②	52.0	33.5	18.5	27.6	18.1	33.9	23.6	14.2	32.9	8.7	13.4	76.2	7.1	13	13.8	1.0
	RH10D-36①4R-②						55.9						98.2	8.7	33.5		
	RH10D-52①3N-②	55.1	36.2	29.5	29.5	18.1	33.9	23.6	14.2	32.9	8.7	13.4	76.2	11.4	15.7	6.7	1.8
	RH10D-X5①3N-②						55.9						98.2	15.7	33.5		
15	RH15D-26①4Q-②	52.0	33.5	18.5	27.6	18.1	33.9	23.6	14.2	32.9	8.7	13.4	76.2	7.1	13	13.8	1.0
	RH15D-36①4Q-②						55.9						98.2	8.7	33.5		
20	RH20D-26①3Q-②	52.0	33.5	18.5	27.6	18.1	33.9	23.6	14.2	32.9	8.7	13.4	76.2	7.1	13	13.8	1.0
	RH20D-36①3Q-②						55.9						98.2	8.7	33.5		

*See page 12 for Deck/Base Mounted or Lug Suspended eye bolt and attachment point dimensions.



STANDARD HEADROOM TROLLEY HOISTS — HOIST SPECIFICATIONS

Capacity (Tons)	Product Code	Lift (ft)	Lifting Speed (ft/min)		Reeving (parts/reaving)	Rope (mm)	Single Speed Lifting Motor 3 Phase 60Hz			Dual Speed Lifting Motor 3 Phase 60Hz			Net Weight (lbs)
			Single Speed	Dual Speed			Output (Hp)	Rated Current (amps)		Output (Hp)	Rated Current (amps)		
								@460V	@230V		@460V	@230V	
2	RH02S-20①4C-②-③	20	16	16/5	4/1	7	4.9	7.7	15.4	4.9/1.6	7.7/6.3	15.4/12.5	529
	RH02S-29①4C-②-③	29											573
	RH02S-20①4D-②-③	20	24	24/8									529
	RH02S-29①4D-②-③	29			573								
	RH02S-39①3A-②-③	39	32	32/10	2/1	7							509
	RH02S-79①3A-②-③	79				7*							551
3	RH03S-20①4C-②-③	20	16	16/5	4/1	7	4.9	7.7	15.4	4.9/1.6	7.7/6.3	15.4/12.5	529
	RH03S-29①4C-②-③	29											573
	RH03S-23①4H-②-③	23	24	24/8									9
	RH03S-33①4H-②-③	33			794								
	RH03S-46①3E-②-③	46	32	32/10	2/1	9							617
	RH03S-85①3E-②-③	85				9*							672
5	RH05S-23①4G-②-③	23	16	16/5	4/1	9	8.2	11.5	23.0	8.2/2.7	11.5/9.6	23.0/19.0	728
	RH05S-33①4G-②-③	33											794
	RH05S-23①4M-②-③	23	24	24/8									13
	RH05S-33①4M-②-③	33			2083								
	RH05S-46①4J-②-③	46	32	32/10	2/1	13							1378
	RH05S-92①4J-②-③	92				13*							1543
	RH05S-52①4P-②-③	52	48	48/16		16	2690						
	RH05S-X5①4P-②-③	105			16*	2954							
7 1/2	RH08S-23①4L-②-③	23	16	16/5	4/1	13	16.3	21.0	42.0	16.3/5.4	23.0/17.3	46.0/34.5	1918
	RH08S-33①4L-②-③	33											2083
	RH08S-23①3M-②-③	23	24	24/8									13
	RH08S-33①3M-②-③	33			2083								
	RH08S-52①4N-②-③	52	32	32/10	2/1	16							2690
	RH08S-X5①4N-②-③	105				16*							2954
10	RH10S-23①4L-②-③	23	16	16/5	4/1	13	16.3	21.0	42.0	16.3/5.4	23.0/17.3	46.0/34.5	1918
	RH10S-33①4L-②-③	33											2083
	RH10S-26①4R-②-③	26	24	24/8									16
	RH10S-36①4R-②-③	36			3660								
	RH10S-52①3N-②-③	52	32	32/10	2/1	16							2690
	RH10S-X5①3N-②-③	105				16*							2954
15	RH15S-26①4Q-②-③	26	16	16/5	4/1	16	26.1	33.0	69.0	26.1/8.6	36.5/29.0	79.0/60.0	3351
	RH15S-36①4Q-②-③	36											3660
20	RH20S-26①3Q-②-③	26	16	16/5	4/1	16	26.1	33.0	69.0	26.1/8.6	36.5/29.0	79.0/60.0	3351
	RH20S-36①3Q-②-③	36											3660

*2/1 long lift hoists are fitted with revolving-resistant rope.

- ① S = Single Speed Hoist
D = Dual Speed Hoist
- ② 2 = 230V - 3ph - 60Hz
4 = 460V - 3ph - 60Hz
- ③ Traversing Speed:
F = 40 ft/min
G = 64 ft/min
H = 80 ft/min
V = 64/16 ft/min
W = 80/20 ft/min

HARRINGTON ELECTRIC WIRE ROPE HOISTS

STANDARD HEADROOM TROLLEY HOISTS — TROLLEY SPECIFICATIONS

Capacity (Tons)	Product Code	Standard Flange Range B* (in)	Traversing Motors								
			Single Speed 40 ft/min			Single Speed 64 and 80 ft/min			Dual Speed 64/16 and 80/20 ft/min		
			Output (Hp)	Rated Current (amps)		Output (Hp)	Rated Current (amps)		Output (Hp)	Rated Current (amps)	
				@460V	@230V		@460V	@230V		@460V	@230V
2	RH02S-20①4C-②-③	3.54 to 11.02	0.32	1.1	2.2	0.6	1.1	3.0	0.6/0.13	1.3/1.1	2.5/2.2
	RH02S-29①4C-②-③										
	RH02S-20①4D-②-③										
	RH02S-29①4D-②-③										
	RH02S-39①3A-②-③										
	RH02S-79①3A-②-③										
3	RH03S-20①4C-②-③	3.54 to 11.02	0.32	1.1	2.2	0.6	1.1	3.0	0.6/0.13	1.3/1.1	2.5/2.2
	RH03S-29①4C-②-③										
	RH03S-23①4H-②-③	4.69 to 11.02									
	RH03S-33①4H-②-③										
	RH03S-46①3E-②-③	3.54 to 11.02									
	RH03S-85①3E-②-③										
5	RH05S-23①4G-②-③	4.69 to 11.02	0.32	1.1	2.2	0.6	1.1	3.0	0.6/0.13	1.3/1.1	2.5/2.2
	RH05S-33①4G-②-③										
	RH05S-23①4M-②-③	5.31 to 11.02									
	RH05S-33①4M-②-③										
	RH05S-46①4J-②-③	4.69 to 11.02									
	RH05S-92①4J-②-③										
	RH05S-52①4P-②-③	5.31 to 11.02									
RH05S-X5①4P-②-③											
7 1/2	RH08S-23①4L-②-③	5.31 to 11.02	0.5	1.1	2.2	0.9	1.5	4.4	0.9/0.2	2.1/1.1	4.2/2.2
	RH08S-33①4L-②-③										
	RH08S-23①3M-②-③										
	RH08S-33①3M-②-③										
	RH08S-52①4N-②-③										
	RH08S-X5①4N-②-③										
10	RH10S-23①4L-②-③	5.31 to 11.02	0.5	1.1	2.2	0.9	1.5	4.4	0.9/0.2	2.1/1.1	4.2/2.2
	RH10S-33①4L-②-③										
	RH10S-26①4R-②-③	6.69 to 11.02									
	RH10S-36①4R-②-③										
	RH10S-52①3N-②-③	5.31 to 11.02									
RH10S-X5①3N-②-③											
15**	RH15S-26①4Q-②-③	6.69 to 11.02	0.5 x 2	1.1 x 2	2.2 x 2	0.9 x 2	1.5 x 2	4.4 x 2	0.9/0.2 x 2	2.1/1.1 x 2	4.2/2.2 x 2
	RH15S-36①4Q-②-③										
20**	RH20S-26①3Q-②-③	6.69 to 11.02	0.5 x 2	1.1 x 2	2.2 x 2	0.9 x 2	1.5 x 2	4.4 x 2	0.9/0.2 x 2	2.1/1.1 x 2	4.2/2.2 x 2
	RH20S-36①3Q-②-③										

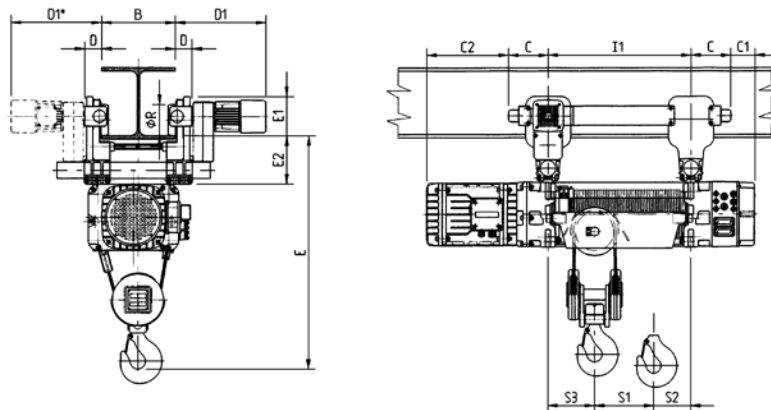
*Optional wider flange ranges available. Wider flange range is the standard lower value to 15.75 inch.
Example: Wider flange range for 2 Ton trolley hoists is 3.54 to 15.75 inches.

**15 and 20 Ton models are equipped with 2 trolley motors.

STANDARD HEADROOM TROLLEY HOISTS — DIMENSIONS

Capacity (Tons)	Product Code	C (in)	C1 (in)	C2 (in)	D (in)	D1 (in)	E (in)	E1 (in)	E2 (in)	I1 (in)	Ø R (in)	S1 (in)	S2 (in)	S3 (in)
2	RH02S-20①4C-②-③	6.7	3.3	11.6	2.4	14.6	32.7	5.9	7.1	20.3	3.94	3.9	10.4	5.9
	RH02S-29①4C-②-③									35		6.3	22.8	6.5
	RH02S-20①4D-②-③									20.3		3.9	10.4	5.9
	RH02S-29①4D-②-③						35.0	6.3	22.8	6.5				
	RH02S-39①3A-②-③						20.3	7.3	9.3	3.7				
	RH02S-79①3A-②-③						35	10.8	20.5					
3	RH03S-20①4C-②-③	6.7	3.3	11.6	2.4	14.6	32.7	5.9	7.1	20.3	3.94	3.9	10.4	5.9
	RH03S-29①4C-②-③									35.0		6.3	22.8	6.5
	RH03S-23①4H-②-③	8.1	2.6	12	2.6	14.8	37.4	6.2	7.7	23.6	4.92	5.3	11.2	7.1
	RH03S-33①4H-②-③									39.4		8.3	24	7.9
	RH03S-46①3E-②-③	6.7	3.9	13.4	2.4	14.6	39.4	5.9	7.1	23.6	3.94	8.7	11.0	3.9
	RH03S-85①3E-②-③									39.4		12.2	23.2	
5	RH05S-23①4G-②-③	8.1	2.6	12	2.6	14.8	37.4	6.2	7.7	23.6	4.92	5.3	11.2	7.1
	RH05S-33①4G-②-③									39.4		8.3	24	7.9
	RH05S-23①4M-②-③	11.4	-3.3	15.6	3.5	15.7	50.8	9.8	10.4	29.1	6.30	6.3	13.4	9.4
	RH05S-33①4M-②-③									49.6		9.4	30.7	10.6
	RH05S-46①4J-②-③	8.1	0	18.9	2.7	14.8	65.7	9.8	7.7	29.1	4.92	10.4	13.6	5.1
	RH05S-92①4J-②-③									49.6		14.8	29.7	
	RH05S-52①4P-②-③	11.4	-2.8	21.5	3.5	15.7	65.7	9.8	10.4	33.9	6.30	11.4	15.7	6.7
	RH05S-X5①4P-②-③									55.9		15.7	33.5	
7 1/2	RH08S-23①4L-②-③	11.4	-3.3	15.6	3.5	15.7	50.8	9.8	10.4	29.1	6.30	6.3	13.4	9.4
	RH08S-33①4L-②-③									49.6		9.4	30.7	10.6
	RH08S-23①3M-②-③									29.1		6.3	13.4	9.4
	RH08S-33①3M-②-③		49.6	9.4	30.7	10.6								
	RH08S-52①4N-②-③		-2.8	21.5	65.7	33.9	6.30	11.4	15.7	6.7				
	RH08S-X5①4N-②-③					55.9		15.7	33.5					
10	RH10S-23①4L-②-③	11.4	-3.3	15.6	3.5	15.7	50.8	9.8	10.4	29.1	6.30	6.3	13.4	9.4
	RH10S-33①4L-②-③									49.6		9.4	30.7	10.6
	RH10S-26①4R-②-③	13.4	-4.7	19.5	3.9	16.1	63.8	12.2	12.0	33.9	7.87	7.1	13.0	13.8
	RH10S-36①4R-②-③									55.9		8.7	33.5	
	RH10S-52①3N-②-③	11.4	-2.8	21.5	3.5	15.7	65.7	9.8	10.4	33.9	6.30	11.4	15.7	6.7
	RH10S-X5①3N-②-③									55.9		15.7	33.5	
15*	RH15S-26①4Q-②-③	13.4	-4.7	19.5	3.9	16.1	63.8	12.2	12.0	33.9	7.87	7.1	13.0	13.8
	RH15S-36①4Q-②-③									55.9		8.7	33.5	
20*	RH20S-26①3Q-②-③	13.4	-4.7	19.5	3.9	16.1	63.8	12.2	12.0	33.9	7.87	7.1	13.0	13.8
	RH20S-36①3Q-②-③									55.9		8.7	33.5	

*15 and 20 Ton models are equipped with 2 trolley motors.



- Note:
- Standard headroom trolleys are suitable for use on S or W shaped beams.
 - Refer to page 7 for flange range dimension B

HARRINGTON ELECTRIC WIRE ROPE HOISTS

ULTRA-LOW HEADROOM TROLLEY HOISTS — HOIST SPECIFICATIONS

Capacity (Tons)	Product Code	Lift (ft)	Lifting Speed (ft/min)		Reeving (parts/ reeving)	Rope (mm)	Single Speed Lifting Motor 3 Phase 60Hz			Dual Speed Lifting Motor 3 Phase 60Hz			Net Weight (lbs)	
			Single Speed	Dual Speed			Output (Hp)	Rated Current (amps)		Output (Hp)	Rated Current (amps)			
								@460V	@230V		@460V	@230V		
2	RH02U-20①4C-②-③	20	16	16/5	4/1	7	4.9	7.7	15.4	4.9/1.6	7.7/6.3	15.4/12.5	705	
	RH02U-29①4C-②-③	29											750	
	RH02U-20①4D-②-③	20	24	24/8									705	
	RH02U-29①4D-②-③	29											750	
	RH02U-39①3A-②-③	39	32	32/10	2/1	7							686	
	RH02U-79①3A-②-③	79				7*							728	
3	RH03U-20①4C-②-③	20	16	16/5	4/1	7	4.9	7.7	15.4	4.9/1.6	7.7/6.3	15.4/12.5	705	
	RH03U-29①4C-②-③	29											750	
	RH03U-23①4H-②-③	23	24	24/8									9	1036
	RH03U-33①4H-②-③	33											1102	
	RH03U-46①3E-②-③	46	32	32/10	2/1	9							893	
	RH03U-85①3E-②-③	85				9*							948	
5	RH05U-23①4G-②-③	23	16	16/5	4/1	9	8.2	11.5	23.0	8.2/2.7	11.5/9.6	23.0/19.0	1036	
	RH05U-33①4G-②-③	33											1102	
	RH05U-23①4M-②-③	23	24	24/8									13	2624
	RH05U-33①4M-②-③	33											2811	
	RH05U-46①4J-②-③	46	32	32/10	2/1	13*							2017	
	RH05U-92①4J-②-③	92				2183								
	RH05U-52①4P-②-③	52	48	48/16	16	3869								
	RH05U-X5①4P-②-③	105			16*	4244								
7 1/2	RH08U-23①4L-②-③	23	16	16/5	4/1	13	16.3	21.0	42.0	16.3/5.4	23.0/17.3	46.0/34.5	2624	
	RH08U-33①4L-②-③	33											2811	
	RH08U-23①3M-②-③	23	24	24/8									13	2624
	RH08U-33①3M-②-③	33											2811	
	RH08U-52①4N-②-③	52	32	32/10	2/1	16							3869	
	RH08U-X5①4N-②-③	105				16*							4244	
10	RH10U-23①4L-②-③	23	16	16/5	4/1	13	16.3	21.0	42.0	16.3/5.4	23.0/17.3	46.0/34.5	2624	
	RH10U-33①4L-②-③	33											2811	
	RH10U-26①4R-②-③	26	24	24/8									16	4707
	RH10U-36①4R-②-③	36											5170	
	RH10U-52①3N-②-③	52	32	32/10	2/1	16							3869	
	RH10U-X5①3N-②-③	105				16*							4244	
15	RH15U-26①4Q-②-③	26	16	16/5	4/1	16	26.1	33.0	69.0	26.1/8.6	36.5/29.0	79.0/60.0	4707	
	RH15U-36①4Q-②-③	36											5170	
20	RH20U-26①3Q-②-③	26	16	16/5	4/1	16	26.1	33.0	69.0	26.1/8.6	36.5/29.0	79.0/60.0	4707	
	RH20U-36①3Q-②-③	36											5170	

*2/1 long lift hoists are fitted with anti-revolving rope.

- ① S = Single Speed Hoist
D = Dual Speed Hoist
- ② 2 = 230V - 3ph - 60Hz
4 = 460V - 3ph - 60Hz
- ③ Traversing Speed:
F = 40 ft/min
G = 64 ft/min
H = 80 ft/min
V = 64/16 ft/min
W = 80/20 ft/min

ULTRA-LOW HEADROOM TROLLEY HOISTS — TROLLEY SPECIFICATIONS

Capacity (Tons)	Product Code	Standard Flange Width B (in)	Traversing Motors								
			Single Speed 40 ft/min			Single Speed 64 and 80 ft/min			Dual Speed 64/16 and 80/20 ft/min		
			Output (Hp)	Rated Current (amps)		Output (Hp)	Rated Current (amps)		Output (Hp)	Rated Current (amps)	
				@460V	@230V		@460V	@230V		@460V	@230V
2	RH02U-20①4C-②-③	3.54 to 15.75	0.32	1.1	2.2	0.6	1.1	3.0	0.6/0.13	1.3/1.1	2.5/2.2
	RH02U-29①4C-②-③										
	RH02U-20①4D-②-③										
	RH02U-29①4D-②-③										
	RH02U-39①3A-②-③										
	RH02U-79①3A-②-③										
3	RH03U-20①4C-②-③	3.54 to 15.75	0.32	1.1	2.2	0.6	1.1	3.0	0.6/0.13	1.3/1.1	2.5/2.2
	RH03U-29①4C-②-③										
	RH03U-23①4H-②-③	4.69 to 15.75									
	RH03U-33①4H-②-③										
	RH03U-46①3E-②-③	3.54 to 15.75									
	RH03U-85①3E-②-③										
5	RH05U-23①4G-②-③	4.69 to 15.75	0.32	1.1	2.2	0.6	1.1	3.0	0.6/0.13	1.3/1.1	2.5/2.2
	RH05U-33①4G-②-③										
	RH05U-23①4M-②-③	5.31 to 15.75									
	RH05U-33①4M-②-③	5.31 to 15.75									
	RH05U-46①4J-②-③	4.69 to 15.75									
	RH05U-92①4J-②-③	4.69 to 15.75									
	RH05U-52①4P-②-③	5.31 to 15.75									
RH05U-X5①4P-②-③	5.31 to 15.75										
7 1/2	RH08U-23①4L-②-③	5.31 to 15.75	0.5	1.1	2.2	0.9	1.5	4.4	0.9/0.2	2.1/1.1	4.2/2.2
	RH08U-33①4L-②-③										
	RH08U-23①3M-②-③										
	RH08U-33①3M-②-③										
	RH08U-52①4N-②-③										
	RH08U-X5①4N-②-③										
10	RH10U-23①4L-②-③	5.31 to 15.75	0.5	1.1	2.2	0.9	1.5	4.4	0.9/0.2	2.1/1.1	4.2/2.2
	RH10U-33①4L-②-③										
	RH10U-26①4R-②-③	6.69 to 15.75									
	RH10U-36①4R-②-③										
	RH10U-52①3N-②-③	5.31 to 15.75									
	RH10U-X5①3N-②-③										
15*	RH15U-26①4Q-②-③	6.69 to 15.75	0.5 x 2	1.1 x 2	2.2 x 2	0.9 x 2	1.5 x 2	4.4 x 2	0.9/0.2 x 2	2.1/1.1 x 2	4.2/2.2 x 2
	RH15U-36①4Q-②-③										
20*	RH20U-26①3Q-②-③	6.69 to 15.75	0.5 x 2	1.1 x 2	2.2 x 2	0.9 x 2	1.5 x 2	4.4 x 2	0.9/0.2 x 2	2.1/1.1 x 2	4.2/2.2 x 2
	RH20U-36①3Q-②-③										

*15 and 20 Ton models are equipped with 2 trolley motors.

ULTRA-LOW HEADROOM TROLLEY HOISTS — HEADROOM SPECIFICATIONS

Hoist Code	Flange Range (in)	Headroom, E* (in)	Headroom, E for 6 inch Flange (in)
A or B	3.54 to 15.75	17.3 + (1.13 x T)	24.1
C or D	3.54 to 6.79	18.9	18.9
	6.80 to 15.75	11.1 + (1.15 x T)	
E or F	3.54 to 15.75	17.6 + (1.13 x T)	24.8
G or H	4.69 to 6.49	18.9	18.9
	6.50 to 15.75	10.9 + (1.23 x T)	

Hoist Code	Flange Range (in)	Headroom, E* (in)	Headroom, E for 6 inch Flange (in)
J or K	4.69 to 8.66	26.8	26.8
	8.67 to 15.75	16.2 + (1.22 x T)	
L or M	5.31 to 10.51	24.0	24.0
	10.52 to 15.75	11.4 + (1.20 x T)	
N or P	5.31 to 10.16	32.7	32.7
	10.17 to 15.75	20.5 + (1.20 x T)	
Q or R	6.69 to 11.81	31.1	31.1**
	11.82 to 15.75	24.0 + (0.60 x T)	

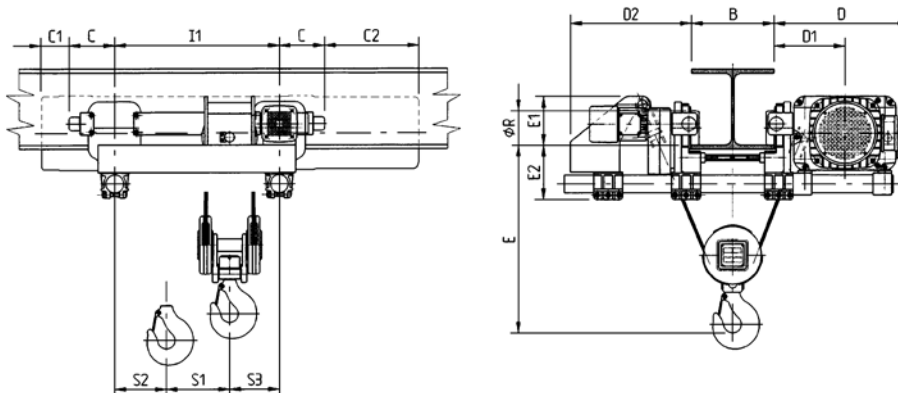
*T in formulas is the exact beam flange width in inches.

**Headroom value for 7 inch flange.

ULTRA-LOW HEADROOM TROLLEY HOISTS — DIMENSIONS

Capacity (Tons)	Product Code	C (in)	C1 (in)	C2 (in)	D (in)	D1 (in)	D2 (in)	E1 (in)	E2 (in)	I1 (in)	∅R (in)	S1 (in)	S2 (in)	S3 (in)	
2	RH02U-20①4C-②-③	6.7	3.3	11.6	17.3	9.1	15.6	5.9	7.1	20.3	3.94	3.9	10.4	5.9	
	RH02U-29①4C-②-③						14.4					35.0	6.3	22.8	6.5
	RH02U-20①4D-②-③						15.6					20.3	3.9	10.4	5.9
	RH02U-29①4D-②-③						14.4					35.0	6.3	22.8	6.5
	RH02U-39①3A-②-③						15.6					20.3	7.3	9.3	3.7
	RH02U-79①3A-②-③						14.4					35.0	10.8	20.5	
3	RH03U-20①4C-②-③	6.7	3.3	11.6	17.3	9.1	15.6	5.9	7.1	20.3	3.94	3.9	10.4	5.9	
	RH03U-29①4C-②-③						14.4					35.0	6.3	22.8	6.5
	RH03U-23①4H-②-③	8.1	2.6	12	19.5	10.2	17.3	7.1	7.7	23.6	4.92	5.3	11.2	7.1	
	RH03U-33①4H-②-③						16.1					39.4	8.3	24	7.9
	RH03U-46①3E-②-③	6.7	3.9	13.4	19.3	10.0	17.7	7.1	7.1	23.6	3.94	8.7	11.0	3.9	
	RH03U-85①3E-②-③						16.5					39.4	12.2		23.2
5	RH05U-23①4G-②-③	8.1	2.6	12.0	19.5	10.2	17.3	7.1	7.7	23.6	4.92	5.3	11.2	7.1	
	RH05U-33①4G-②-③						16.1					39.4	8.3	24.0	7.9
	RH05U-23①4M-②-③	11.4	-3.3	15.6	24.6	13.2	22.8	10.2	10.4	29.1	6.30	6.3	13.4	9.4	
	RH05U-33①4M-②-③						21.7					49.6	9.4	30.7	10.6
	RH05U-46①4J-②-③	8.1	0	18.9	23.8	12.4	24.0	11.8	7.7	29.1	4.92	10.4	13.6	5.1	
	RH05U-92①4J-②-③						22.8					49.6	14.8		29.7
	RH05U-52①4P-②-③	11.4	-2.8	21.5	29.7	15.6	27.0	13.6	10.4	33.9	6.30	11.4	15.7	6.7	
	RH05U-X5①4P-②-③											55.9	55.9		15.7
7 1/2	RH08U-23①4L-②-③	11.4	-3.3	15.6	24.6	13.2	22.8	10.2	10.4	29.1	6.30	6.3	13.4	9.4	
	RH08U-33①4L-②-③						21.7					49.6	9.4	30.7	10.6
	RH08U-23①3M-②-③						22.8					29.1	6.3	13.4	9.4
	RH08U-33①3M-②-③						21.7					49.6	9.4	30.7	10.6
	RH08U-52①4N-②-③	-2.8	21.5	29.7	15.6	27.0	13.6	10.4	33.9	6.30	11.4	15.7	6.7		
	RH08U-X5①4N-②-③										55.9	55.9		15.7	33.5
10	RH10U-23①4L-②-③	11.4	-3.3	15.6	24.6	13.2	22.8	10.2	10.4	29.1	6.30	6.3	13.4	9.4	
	RH10U-33①4L-②-③						21.7					49.6	9.4	30.7	10.6
	RH10U-26①4R-②-③	13.4	-4.7	19.5	30.1	15.9	25.6	13.6	12.0	33.9	7.87	7.1	13.0	13.8	
	RH10U-36①4R-②-③						25.6					55.9	8.7		33.5
	RH10U-52①3N-②-③	11.4	-2.8	21.5	29.7	15.6	27.0	13.6	10.4	33.9	6.30	11.4	15.7	6.7	
	RH10U-X5①3N-②-③						27.0					55.9	15.7		33.5
15*	RH15U-26①4Q-②-③	13.4	-4.7	19.5	30.1	15.9	25.6	13.6	12.0	33.9	7.87	7.1	13.0	13.8	
	RH15U-36①4Q-②-③									55.9		55.9	8.7		33.5
20*	RH20U-26①3Q-②-③	13.4	-4.7	19.5	30.1	15.9	25.6	13.6	12.0	33.9	7.87	7.1	13.0	13.8	
	RH20U-36①3Q-②-③									55.9		55.9	8.7		33.5

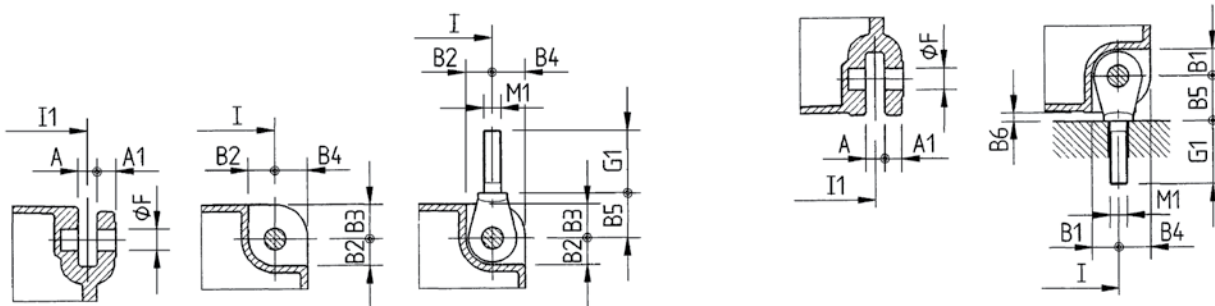
*15 and 20 Ton models are equipped with 2 trolley motors.



Note:
 ■ Ultra-Low headroom trolleys are suitable for use on S or W shaped beams.
 ■ Refer to page 10 for flange range B and headroom E dimension.

EYE BOLT AND ATTACHMENT POINT — DIMENSIONS (For deck/base mounted or lug suspended hoists)

Capacity (Tons)	Product Code	A (in)	A1 (in)	B1 (in)	B2 (in)	B3 (in)	B4 (in)	B5 (in)	∅ F (mm)	G1 (in)	M1 (mm x pitch)
2	RH02D-20①4C-②	0.79	0.79	0.83	0.83	1.38	1.38	1.85	20	2.56	M16x2.0
	RH02D-29①4C-②										
	RH02D-20①4D-②										
	RH02D-29①4D-②										
	RH02D-39①3A-②										
RH02D-79①3A-②											
3	RH03D-20①4C-②	0.79	0.79	0.83	0.83	1.38	1.38	1.85	20	2.56	M16x2.0
	RH03D-29①4C-②										
	RH03D-23①4H-②										
	RH03D-33①4H-②										
	RH03D-46①3E-②										
RH03D-85①3E-②											
5	RH05D-23①4G-②	0.87	0.87	1.22	1.22	1.57	1.57	2.05	25	2.76	M20x2.5
	RH05D-33①4G-②										
	RH05D-23①4M-②	1.26	1.26	1.42	1.42	2.17	2.17	2.83	35	3.66	M24x3.0
	RH05D-33①4M-②										
	RH05D-46①4J-②	1.65	1.65	1.50	1.81	2.76	2.76	3.35	45	4.25	M30x3.5
	RH05D-92①4J-②										
	RH05D-52①4P-②										
RH05D-X5①4P-②											
7 1/2	RH08D-23①4L-②	1.26	1.26	1.42	1.42	2.17	2.17	2.83	35	3.66	M24x3.0
	RH08D-33①4L-②										
	RH08D-23①3M-②	1.65	1.65	1.50	1.81	2.76	2.76	3.35	45	4.25	M30x3.5
	RH08D-33①3M-②										
	RH08D-52①4N-②										
	RH08D-X5①4N-②										
10	RH10D-23①4L-②	1.26	1.26	1.42	1.42	2.17	2.17	2.83	35	3.66	M24x3.0
	RH10D-33①4L-②										
	RH10D-26①4R-②	1.65	1.65	1.50	1.81	2.76	2.76	3.35	45	4.25	M30x3.5
	RH10D-36①4R-②										
	RH10D-52①3N-②										
	RH10D-X5①3N-②										
15	RH15D-26①4Q-②	1.65	1.65	1.50	1.81	2.76	2.76	3.35	45	4.25	M30x3.5
	RH15D-36①4Q-②										
20	RH20D-26①3Q-②	1.65	1.65	1.50	1.81	2.76	2.76	3.35	45	4.25	M30x3.5
	RH20D-36①3Q-②										

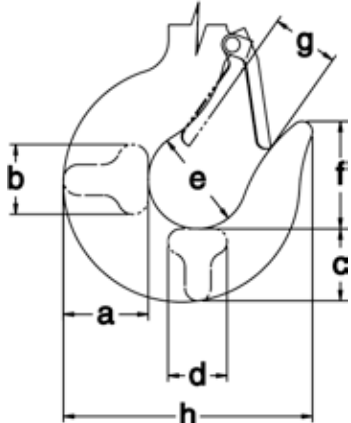


Note:

- Eye bolts are suitable for deck/base mounted or lug suspended applications.
- Eye bolt kits include four eyebolts and all necessary hardware.
- See page 5 for dimensions I and I1.

BOTTOM HOOK — DIMENSIONS

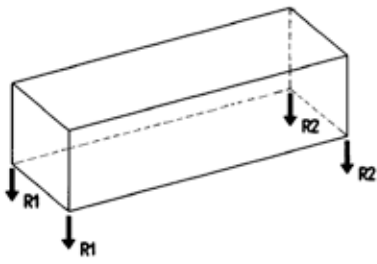
Capacity (Tons)	Product Code	a (in)	b (in)	c (in)	d (in)	e (in)	f (in)	g (in)	h (in)
2	RH02D-20①4C-②	2.2	1.8	1.9	1.5	2.2	2.5	1.5	5.7
	RH02D-29①4C-②								
	RH02D-20①4D-②								
	RH02D-29①4D-②								
	RH02D-39①3A-②	1.7	1.4	1.5	1.1	1.9	2.1	1.3	4.7
RH02D-79①3A-②									
3	RH03D-20①4C-②	2.2	1.8	1.9	1.5	2.2	2.5	1.5	5.7
	RH03D-29①4C-②								
	RH03D-23①4H-②	2.6	2.1	2.3	1.8	2.5	2.8	1.7	6.7
	RH03D-33①4H-②								
	RH03D-46①3E-②	2.2	1.8	1.9	1.5	2.2	2.5	1.5	5.7
RH03D-85①3E-②									
5	RH05D-23①4G-②	2.6	2.1	2.3	1.8	2.5	2.8	1.7	6.7
	RH05D-33①4G-②								
	RH05D-23①4M-②	3.5	2.8	3.0	2.4	3.1	3.5	2.0	8.9
	RH05D-33①4M-②								
	RH05D-46①4J-②	2.6	2.1	2.3	1.8	2.5	2.8	1.7	6.7
	RH05D-92①4J-②								
	RH05D-52①4P-②	3.5	2.8	3.0	2.4	3.1	3.5	2.0	8.9
RH05D-X5①4P-②									
7 1/2	RH08D-23①4L-②	3.5	2.8	3.0	2.4	3.1	3.5	2.0	8.9
	RH08D-33①4L-②								
	RH08D-23①3M-②								
	RH08D-33①3M-②								
	RH08D-52①4N-②								
RH08D-X5①4N-②									
10	RH10D-23①4L-②	3.5	2.8	3.0	2.4	3.1	3.5	2.0	8.9
	RH10D-33①4L-②								
	RH10D-26①4R-②	4.9	3.9	4.2	3.3	4.4	5.0	3.0	12.7
	RH10D-36①4R-②								
	RH10D-52①3N-②	3.5	2.8	3.0	2.4	3.1	3.5	2.0	8.9
RH10D-X5①3N-②									
15	RH15D-26①4Q-②	4.9	3.9	4.2	3.3	4.4	5.0	3.0	12.7
	RH15D-36①4Q-②								
20	RH20D-26①3Q-②	4.9	3.9	4.2	3.3	4.4	5.0	3.0	12.7
	RH20D-36①3Q-②								



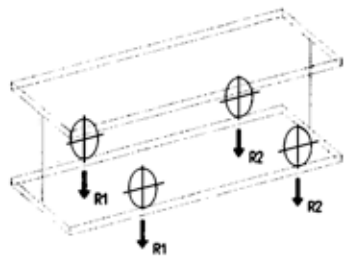
REACTION FORCES AT RATED LOAD

Capacity (Tons)	Deck/Base Mounted or Lug Suspended Attachment Point Reaction Forces			Standard Headroom Trolley Wheel Reaction Forces			Ultra-Low Headroom Trolley Wheel Reaction Forces		
	Product Code	R1 (lbs)	R2 (lbs)	Product Code	R1 (lbs)	R2 (lbs)	Product Code	R1 (lbs)	R2 (lbs)
2	RH02D-20①4C-②	1483	683	RH02S-20①4C-②-③	1600	665	RH02U-20①4C-②-③	1659	694
	RH02D-29①4C-②	1734	454	RH02S-29①4C-②-③	1826	461	RH02U-29①4C-②-③	1887	487
	RH02D-20①4D-②	1483	683	RH02S-20①4D-②-③	1600	665	RH02U-20①4D-②-③	1659	694
	RH02D-29①4D-②	1734	454	RH02S-29①4D-②-③	1826	461	RH02U-29①4D-②-③	1887	487
	RH02D-39①3A-②	1758	398	RH02S-39①3A-②-③	1854	401	RH02U-39①3A-②-③	1931	411
	RH02D-79①3A-②	1928	248	RH02S-79①3A-②-③	2025	250	RH02U-79①3A-②-③	2104	259
3	RH03D-20①4C-②	2183	983	RH03S-20①4C-②-③	2334	931	RH03U-20①4C-②-③	2400	953
	RH03D-29①4C-②	2554	634	RH03S-29①4C-②-③	2667	620	RH03U-29①4C-②-③	2737	637
	RH03D-23①4H-②	2213	1013	RH03S-23①4H-②-③	2297	1067	RH03U-23①4H-②-③	2405	1113
	RH03D-33①4H-②	2589	669	RH03S-33①4H-②-③	2650	747	RH03U-33①4H-②-③	2760	791
	RH03D-46①3E-②	5627	587	RH03S-46①3E-②-③	2652	656	RH03U-46①3E-②-③	2881	565
	RH03D-85①3E-②	2878	358	RH03S-85①3E-②-③	2896	440	RH03U-85①3E-②-③	3105	369
	RH05D-23①4G-②	3613	1613	RH05S-23①4G-②-③	3707	1657	RH05U-23①4G-②-③	3836	1682
5	RH05D-33①4G-②	4229	1029	RH05S-33①4G-②-③	4284	1112	RH05U-33①4G-②-③	4417	1135
	RH05D-23①4M-②	3798	1798	RH05S-23①4M-②-③	4004	1954	RH05U-23①4M-②-③	4233	2079
	RH05D-33①4M-②	4444	1244	RH05S-33①4M-②-③	4607	1435	RH05U-33①4M-②-③	4844	1562
	RH05D-46①4J-②	4470	1070	RH05S-46①4J-②-③	4671	1017	RH05U-46①4J-②-③	4929	1079
	RH05D-92①4J-②	4911	711	RH05S-92①4J-②-③	5102	670	RH05U-92①4J-②-③	5345	745
	RH05D-52①4P-②	4690	1290	RH05S-52①4P-②-③	4937	1407	RH05U-52①4P-②-③	5345	1589
	RH05D-X5①4P-②	5157	957	RH05S-X5①4P-②-③	5418	1058	RH05U-X5①4P-②-③	5861	1261
	RH08D-23①4L-②	5548	2548	RH08S-23①4L-②-③	5767	2692	RH08U-23①4L-②-③	6022	2791
7 1/2	RH08D-33①4L-②	6494	1694	RH08S-33①4L-②-③	6650	1892	RH08U-33①4L-②-③	6915	1992
	RH08D-23①3M-②	5548	2548	RH08S-23①3M-②-③	5767	2692	RH08U-23①3M-②-③	6022	2791
	RH08D-33①3M-②	6494	1694	RH08S-33①3M-②-③	6650	1892	RH08U-33①3M-②-③	6915	1992
	RH08D-52①4N-②	6790	1690	RH08S-52①4N-②-③	7070	1910	RH08U-52①4N-②-③	7534	1900
	RH08D-X5①4N-②	7457	1157	RH08S-X5①4N-②-③	7758	1218	RH08U-X5①4N-②-③	8261	1361
10	RH10D-23①4L-②	7298	3298	RH10S-23①4L-②-③	7529	3429	RH10U-23①4L-②-③	7810	3502
	RH10D-33①4L-②	8544	2144	RH10S-33①4L-②-③	8693	2349	RH10U-33①4L-②-③	8985	2421
	RH10D-26①4R-②	7551	3551	RH10S-26①4R-②-③	7666	4010	RH10U-26①4R-②-③	8132	4220
	RH10D-36①4R-②	8828	2428	RH10S-36①4R-②-③	9147	2683	RH10U-36①4R-②-③	9666	2918
	RH10D-52①3N-②	8890	2090	RH10S-52①3N-②-③	9202	2412	RH10U-52①3N-②-③	9723	2211
	RH10D-X5①3N-②	9757	1357	RH10S-X5①3N-②-③	10098	1378	RH10U-X5①3N-②-③	10661	1461
15	RH15D-26①4Q-②	11051	5051	RH15S-26①4Q-②-③	11080	5596	RH15U-26①4Q-②-③	11610	5742
	RH15D-36①4Q-②	12928	3328	RH15S-36①4Q-②-③	13263	3567	RH15U-36①4Q-②-③	13853	3731
20	RH20D-26①3Q-②	14551	6551	RH20S-26①3Q-②-③	14494	7182	RH20U-26①3Q-②-③	15088	7264
	RH20D-36①3Q-②	17028	4228	RH20S-36①3Q-②-③	17379	4451	RH20U-36①3Q-②-③	18040	4544

14



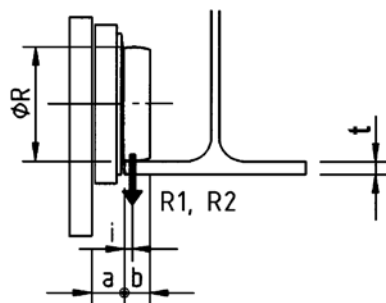
Deck/Base Mounted or Lug Suspended Hoists



Standard or Ultra-Low or Headroom Trolley Hoist

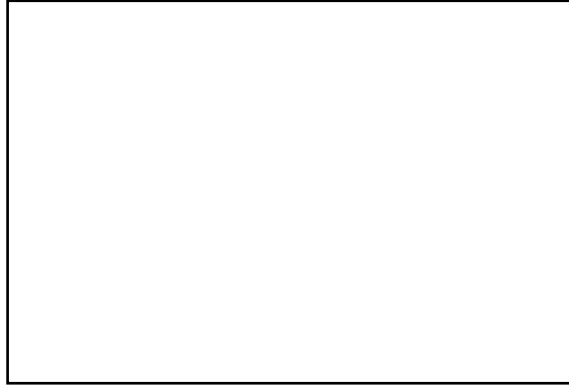
TROLLEY WHEEL — DIMENSIONS

Capacity (Tons)	Product Code		a (in)	b (in)	i (in)	Wheel Dia. ØR (in)	Maximum Flange Thickness t (in)
	Standard Headroom	Ultra-Low Headroom					
2	RH02S-20①4C-②-③	RH02U-20①4C-②-③	1.38	0.71	0.31	3.94	0.79
	RH02S-29①4C-②-③	RH02U-29①4C-②-③					
	RH02S-20①4D-②-③	RH02U-20①4D-②-③					
	RH02S-29①4D-②-③	RH02U-29①4D-②-③					
	RH02S-39①3A-②-③	RH02U-39①3A-②-③					
	RH02S-79①3A-②-③	RH02U-79①3A-②-③					
3	RH03S-20①4C-②-③	RH03U-20①4C-②-③	1.38	0.71	0.31	3.94	0.79
	RH03S-29①4C-②-③	RH03U-29①4C-②-③		1.14	0.47	4.92	0.91
	RH03S-23①4H-②-③	RH03U-23①4H-②-③		0.71	0.31	3.94	0.79
	RH03S-33①4H-②-③	RH03U-33①4H-②-③					
	RH03S-46①3E-②-③	RH03U-46①3E-②-③					
	RH03S-85①3E-②-③	RH03U-85①3E-②-③					
5	RH05S-23①4G-②-③	RH05U-23①4G-②-③	1.38	1.14	0.47	4.92	0.91
	RH05S-33①4G-②-③	RH05U-33①4G-②-③	1.77	1.50	0.75	6.30	1.38
	RH05S-23①4M-②-③	RH05U-23①4M-②-③					
	RH05S-33①4M-②-③	RH05U-33①4M-②-③	1.38	1.14	0.47	4.92	0.91
	RH05S-46①4J-②-③	RH05U-46①4J-②-③					
	RH05S-92①4J-②-③	RH05U-92①4J-②-③					
	RH05S-52①4P-②-③	RH05U-52①4P-②-③	1.77	1.50	0.75	6.30	1.38
RH05S-X5①4P-②-③	RH05U-X5①4P-②-③						
7 1/2	RH08S-23①4L-②-③	RH08U-23①4L-②-③	1.77	1.50	0.75	6.30	1.38
	RH08S-33①4L-②-③	RH08U-33①4L-②-③					
	RH08S-23①3M-②-③	RH08U-23①3M-②-③					
	RH08S-33①3M-②-③	RH08U-33①3M-②-③					
	RH08S-52①4N-②-③	RH08U-52①4N-②-③					
	RH08S-X5①4N-②-③	RH08U-X5①4N-②-③					
10	RH10S-23①4L-②-③	RH10U-23①4L-②-③	1.77	1.50	0.75	6.30	1.38
	RH10S-33①4L-②-③	RH10U-33①4L-②-③	1.97	1.69	0.87	7.87	1.61
	RH10S-26①4R-②-③	RH10U-26①4R-②-③					
	RH10S-36①4R-②-③	RH10U-36①4R-②-③	1.77	1.50	0.75	6.30	1.38
	RH10S-52①3N-②-③	RH10U-52①3N-②-③					
	RH10S-X5①3N-②-③	RH10U-X5①3N-②-③					
15	RH15S-26①4Q-②-③	RH15U-26①4Q-②-③	1.97	1.69	0.87	7.87	1.61
	RH15S-36①4Q-②-③	RH15U-36①4Q-②-③					
20	RH20S-26①3Q-②-③	RH20U-26①3Q-②-③	1.97	1.69	0.87	7.87	1.61
	RH20S-36①3Q-②-③	RH20U-36①3Q-②-③					



Note:
 ■ See page 14 for reaction forces R1 and R2.

CONTACT YOUR NEARBY HARRINGTON DISTRIBUTOR



Warranty

All products sold by Harrington Hoists, Inc. are warranted to be free from defects in material and workmanship from date of shipment by Harrington for the following periods:

1 year—Electric and Air Powered Hoists (excluding (N)ER2 Enhanced Features Models and EQ/SEQ Models), Powered Trolleys, Powered Tiger Track Jibs and Gantries, Crane Components, Sling Chain, Spare/Replacement Parts, Below-The-Hook and Material Handling Equipment

2 years—Manual Hoists & Trolleys, Beam Clamps

3 years—(N)ER2 Enhanced Features Model Hoists, EQ/SEQ Hoists

5 years—Manual Tiger Track Jibs and Gantries, TNER and EQ/SEQ Pull-Rotor Motor Brake

10 years—(N)ER2 “The Guardian” Smart Brake

The product must be used in accordance with manufacturer’s recommendations and must not have been subject to abuse, lack of maintenance, misuse, negligence, or unauthorized repairs or alterations.

Should any defect in material or workmanship occur during the above time period in any product, as determined by Harrington Hoist’s inspection of the product, Harrington Hoists, Inc. agrees, at its discretion, either to replace (not including installation) or repair the part or product free of charge and deliver said item F.O.B. Harrington Hoists, Inc. place of business to customer.

Customer must obtain a Return Goods Authorization as directed by Harrington or Harrington’s published repair center prior to shipping product for warranty evaluation. An explanation of the complaint must accompany the product. Product must be returned freight prepaid. Upon repair, the product will be covered for the remainder of the original warranty period. Replacement parts installed after the original warranty period will only be eligible for replacement (not including installation) for a period of one year from the installation date. If it is determined there is no defect, or that the defect resulted from causes not within the scope of Harrington’s warranty, the customer will be responsible for the costs of returning the product.

Harrington Hoists, Inc. disclaims any and all other warranties of any kind expressed or implied as to the product’s merchantability or fitness for a particular application. Harrington will not be liable for death, injuries to persons or property or for incidental, contingent, special or consequential damages, loss or expense arising in connection with the use or inability whatever, regardless of whether damage, loss or expense results from any act or failure to act by Harrington, whether negligent or willful, or from any other reason.



www.harringtonhoists.com

Harrington Hoists, Inc.
401 West End Avenue
Manheim, PA 17545

Toll Free: 800-233-3010
Phone: 717-665-2000
Fax: 717-665-2861

