

Hoist and Trolley Combinations

Push trolley capacities from 1/2 through 10 Ton

Geared trolley capacities from 1/2 through 100 Ton

CB and CF hand chain hoists can be suspended from either PT push trolleys or GT geared trolleys. These trolley/hoists combine the features, benefits, and capabilities of the individual trolley and hoist. Refer to the corresponding trolley and hoist sections for details. The standard suspension method for coupling the CF or CB to the PT push trolley or GT geared trolley is hook-to-lug. The CB can also be lug-mounted for capacities up through 5 Ton.



Lug Mount



Hook-to-lug Mount



Lug Mount



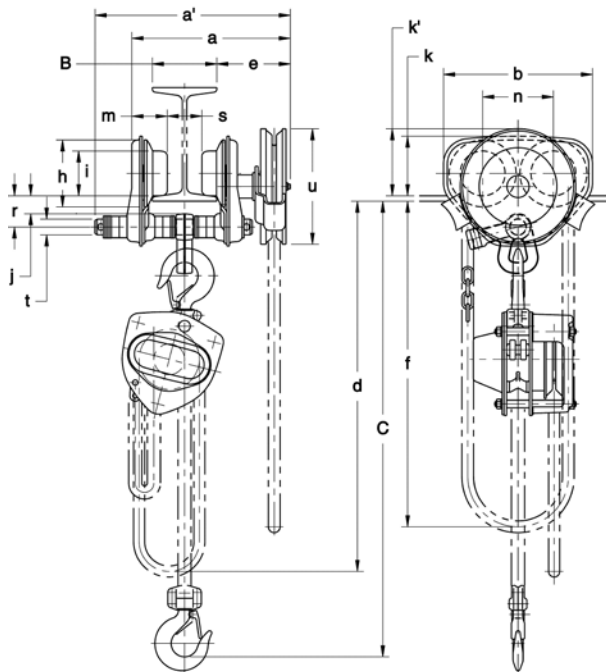
Hook-to-lug Mount

Hoist and Trolley Combinations

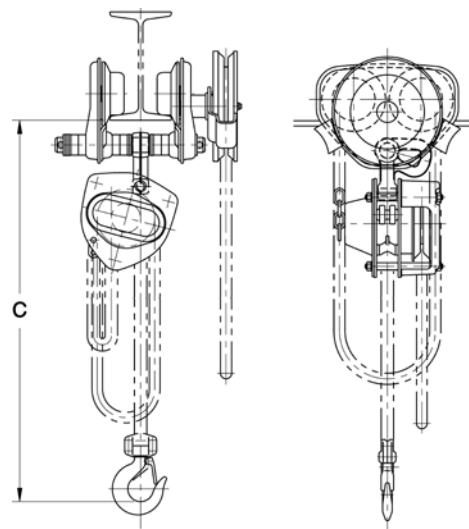
CB HAND CHAIN HOIST WITH GT GEARED TROLLEY — SPECIFICATIONS & DIMENSIONS

Cap. (Tons)	Product Code		Headroom C (in)		Min. Radius for Curve (in)	Flange Width Adjustability B (in)		a max (in)	a' (in)	b (in)	d (ft)	e (in)	f (ft)	h (in)	i (in)	j (in)	k (in)	k' (in)	m (in)	n (in)	r (in)	s (in)	t (in)	u (in)	Net Wt. (lbs)	Ship. Wt. (lbs)	Wt. for Add'l One Ft. of Lift (lbs)
	Hoist	Trolley	Hook	Lug		Std.	Option																				
1/2	CB005	GTF2010	15.3	12.0	17.7	2.28 to 5.00	5.01 to 8.00 or 8.01 to 12.00	10.8	12.2	9.3	8.0	4.6	7.0	4.2	2.80	1.1	3.7	4.2	2.2	4.4	2.0	B-1.8	0.98	7.2	46	48	1.6
1	CB010		15.4			5.00	8.01 to 12.00	10.8	12.2	9.3															4.6	7.0	4.2
1 1/2	CB015	GTF2020	18.5	14.4	21.7	3.23 to 6.02	6.03 to 12.00	13.7	15.2	11.0	8.0	6.1	7.0	5.0	3.35	1.4	4.4	4.3	2.8	5.2	2.4	B-1.9	1.26	7.2	89	72	2.0
2	CB020		19.4	15.0				13.7	15.2	11.0															6.1	7.0	5.0
2 1/2	CB025	GTF2030	21.8	17.1	25.6	6.03 to 12.00	6.03 to 12.00	14.1	15.7	12.8	8.3	6.2	8.7	5.8	3.94	5.3	4.5	3.1	6.0	2.7	B-2.3	1.42	7.2	111	116	2.4	
3	CB030		26.3	21.1				14.1		15.7														12.8	6.2	8.7	5.8
5	CB050	GTF2050	26.9	27.4	78.7	4.92 to 7.02	7.03 to 12.00	14.8	17.4	20.6	13.7	10.0	6.1	8.7	6.7	4.65	5.7	5.2	3.2	7.0	4.6	B-2.3	1.73	7.2	188	197	3.7
8	CB080	GT080	34.5	118.1	5.50 to 8.66	8.67 to 12.00	17.4	20.6			19.4	10.6	6.1												8.7	7.3	6.10
10	CB100	GT100	34.2				5.50 to 8.66	8.67 to 12.00	17.4	20.6	19.4	10.6	6.1	8.7	7.0	12.7	7.3	6.10	6.7	6.5	4.7	7.7	6.0	B-3.0	2.76		
15	CB150	GT150	45.3	∞	5.50 to 8.66	8.67 to 12.00	22.7	21.3	39.8	16.3	16.6	7.0	14.3	7.3	6.10	6.7	6.5	8.9	28.2	8.0	B-3.6	3.15	7.2	879	983	9.1	
20	CB200	GT200	51.6				22.7			21.3														39.8	16.6	7.0	14.3

8-foot standard lift for 1/2–8 Ton models; 12-foot standard lift for 10 Ton and above
 Please Note: Special lengths of load and hand chain available upon request.
 Weights are approximate.



CB with GT Hook-to-lug Mount

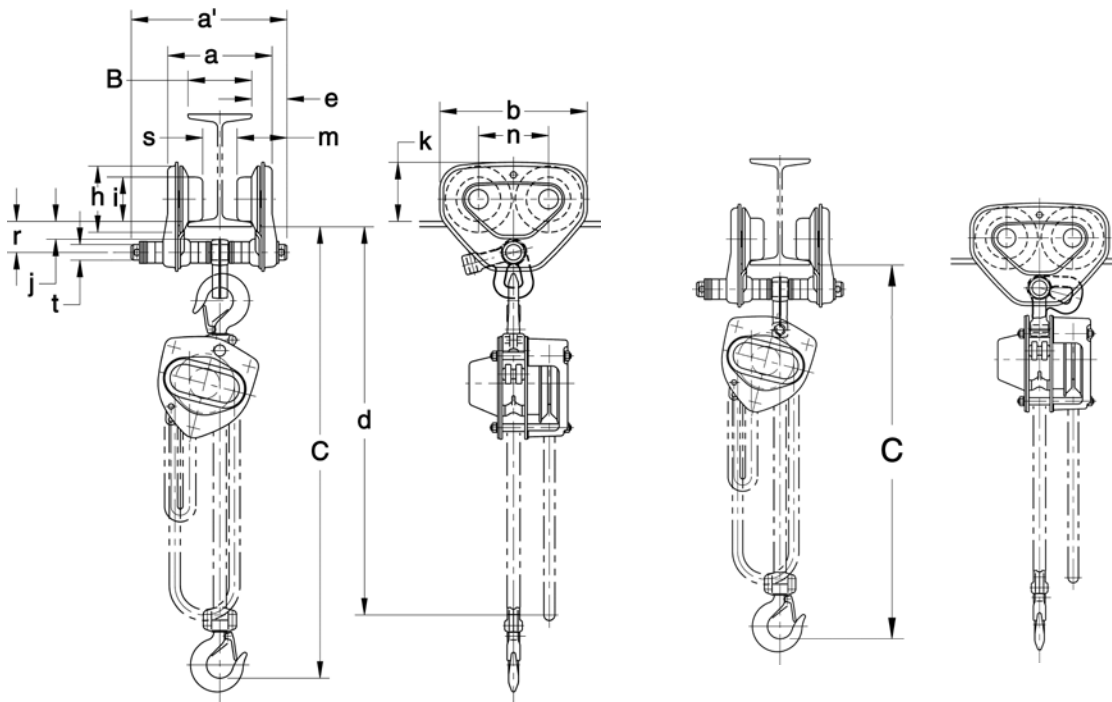


CB with GT Lug Mount

CB HAND CHAIN HOIST WITH PT PUSH TROLLEY — SPECIFICATIONS & DIMENSIONS

Cap. (Tons)	Product Code		Headroom C (in)		Min. Radius for Curve (in)	Flange Width Adjustability B (in)		a max (in)	a' (in)	b (in)	d (ft)	e (in)	h (in)	i (in)	j (in)	k (in)	m (in)	n (in)	r (in)	s (in)	t (in)	Net Wt. (lbs)	Ship. Wt. (lbs)	Wt. for Add'l One Ft. of Lift (lbs)
			Hook	Lug		Std.	Option																	
	Hoist	Trolley	Hook	Lug		Std.	Option																	
1/2	CB005	PTF2005	14.5	11.6	13.8	2.28 to 4.00	4.01 to 8.00 or 8.01 to 12.00	6.8	8.0	7.2		1.8	3.2	2.36	0.8	3.0	2.7	3.3	1.5	B-1.8	0.87	31	32	1.0
1	CB010	PTF2010	15.4	12.0	17.7	2.28 to 5.00	5.01 to 8.00 or 8.01 to 12.00	8.5	9.8	9.3	8.0	2.2	4.2	2.80	1.1	3.7	3.1	4.4	2.0	B-1.9	0.98	40	42	1.2
1 1/2	CB015	PTF2020	18.5	14.4	21.7	3.23 to 6.02	6.03 to 12.00	10.4	11.8	11.0	8.0	2.7	5.0	3.35	1.4	4.4	3.8	5.2	2.4	B-2.3	1.26	61	62	1.4
2	CB020		19.4	15.0																		70	73	1.6
2 1/2	CB025	PTF2030	21.8	17.1	25.6																	3.23 to 6.02	6.03 to 12.00	11.0
3	CB030		26.3	21.1		95	101	2.1																
5	CB050	PTF2050	26.9	27.2	78.7	4.92 to 7.02	7.03 to 12.00	10.7	11.7	13.7	10.0	2.1	5.7	4.65		5.7	3.6	7.0	4.6	B-3.0	1.73			
8	CB080	PT080	34.5	—	118.1	5.50 to 8.66	8.67 to 12.00	14.4	17.6	19.4	10.6	4.1	7.3	6.10	—	6.7	5.9	7.7	6.0	B-3.6	2.76	336	384	4.2
10	CB100	PT100	34.2	—	118.1	5.50 to 8.66	8.67 to 12.00	14.4	17.6	19.4	14.6	4.1	7.3	6.10	—	6.7	5.9	7.7	6.0	B-3.6	2.76	397	457	5.5

8-foot standard lift for 1/2-8 Ton models; 12-foot standard lift for 10 Ton.
 Please Note: Special lengths of load and hand chain available upon request.
 Weights are approximate.



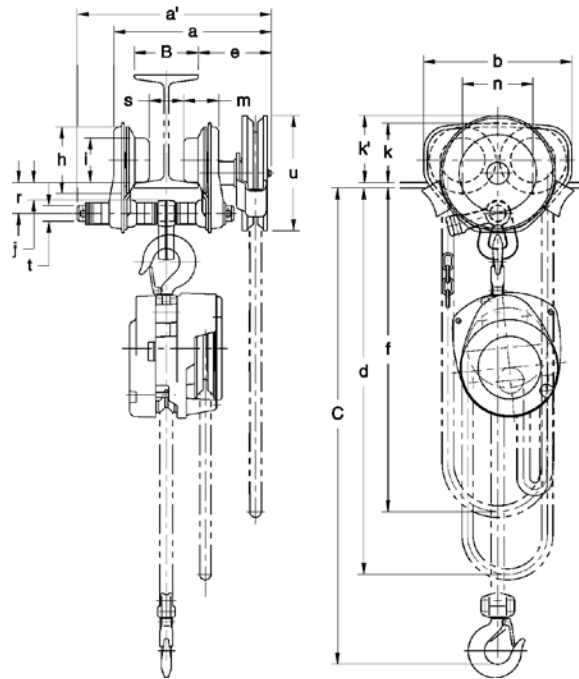
CB with PT Hook-to-lug Mount

CB with PT Lug Mount

CF HAND CHAIN HOIST WITH GT GEARED TROLLEY — SPECIFICATIONS & DIMENSIONS

Cap. (Tons)	Product Code		Head room C (in)	Min. Radius for Curve (in)	Flange Width Adjustability B (in)		a max (in)	a' (in)	b (in)	d (ft)	e (in)	f (ft)	h (in)	i (in)	j (in)	k (in)	k' (in)	m (in)	n (in)	r (in)	s (in)	t (in)	u (in)	Net Wt. (lbs)	Ship. Wt. (lbs)	Wt. for Add'l One Ft. of Lift (lbs)
	Hoist	Trolley			Std.	Option																				
1/2	CF005	GTF2010	16.6	17.7	2.28 to 5.00	5.01 to 8.00 or 8.01 to 12.00	10.8	12.2	9.3	10.3	4.6	9.0	4.2	2.80	1.1	3.7	4.2	2.2	4.4	2.0	B-1.9	0.98	7.2	48	51	1.6
1	CF010		18.3		5.01 to 8.00 or 8.01 to 12.00	10.8	12.2	9.3	10.3															4.6	9.0	4.2
1 1/2	CF015	GTF2020	22.0	21.7	3.23 to 6.02	6.03 to 12.00	13.7	15.2	11.0	6.1	9.0	5.0	3.35	1.4	4.4	4.3	2.8	5.2	2.4	B-2.3	1.26	7.2	77	81	2.0	
2	CF020		24.8																				6.03 to 12.00	13.7	15.2	11.0
3	CF030	GTF2030	29.5	25.6	4.92 to 7.02	7.03 to 12.00	14.1	15.7	12.8	10.6	6.2	10.7	5.8	3.94	5.3	4.5	3.1	6.0	2.7	B-3.0	1.42	7.2	117	124	2.8	
5	CF050	GTF2050	27.7	78.7			7.03 to 12.00		14.8	15.7	13.7		12.0	6.1									10.7	5.7	4.65	—

10-foot standard lift for all models.
Please Note: Special lengths of load and hand chain available upon request.
Weights are approximate.

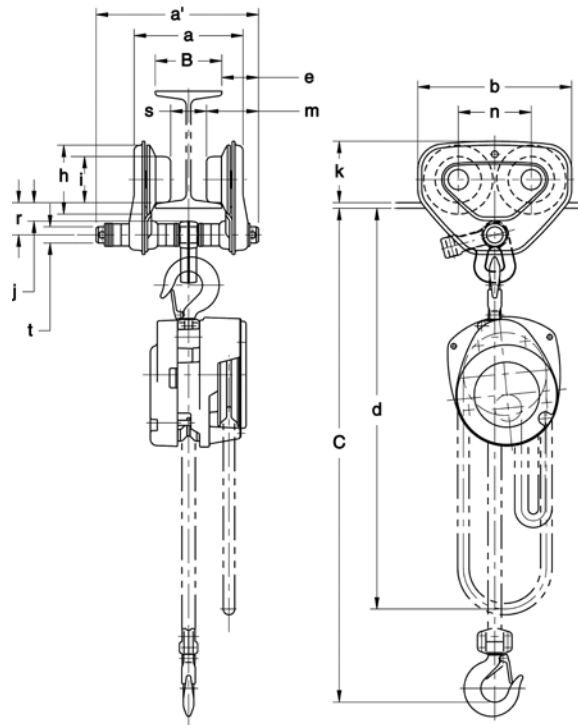


CF with GT

CF HAND CHAIN HOIST WITH PT PUSH TROLLEY — SPECIFICATIONS & DIMENSIONS

Cap. (Tons)	Product Code		Head room C (in)	Min. Radius for Curve (in)	Flange Width Adjustability B (in)		a max (in)	a' (in)	b (in)	d (ft)	e (in)	h (in)	i (in)	j (in)	k (in)	m (in)	n (in)	r (in)	s (in)	t (in)	Net Wt. (lbs)	Ship. Wt. (lbs)	Wt. for Add'l One Ft. of Lift (lbs)
	Hoist	Trolley			Std.	Option																	
1/2	CF005	PTF2005	16.1	13.8	2.28 to 4.00	4.01 to 8.00 or 8.01 to 12.00	6.8	8.0	7.2		1.8	3.2	2.36	0.8	3.0	2.7	3.3	1.5	B-1.8	0.87	33	35	1.0
1	CF010	PTF2010	18.3	17.7	2.28 to 5.00	5.01 to 8.00 or 8.01 to 12.00	8.5	9.8	9.3	10.3	2.2	4.2	2.80	1.1	3.7	3.1	4.4	2.0	B-1.9	0.98	44	47	1.2
1 1/2	CF015	PTF2020	22.0	21.7	3.23 to 6.02	6.03 to 12.00	10.4	11.8	11.0		2.7	5.0	3.35	1.4	4.4	3.8	5.2	2.4	B-2.3	1.26	69	72	1.4
2	CF020		24.8				11.0	12.6	12.8	10.6	3.1	5.8	3.94		5.3	4.3	6.0	2.7			1.42	108	114
3	CF030	PTF2030	29.5	25.6			11.0	12.6	12.8	10.6	3.1	5.8	3.94		5.3	4.3	6.0	2.7		1.42	108	114	2.1
5	CF050	PTF2050	27.7	78.7	4.92 to 7.02	7.03 to 12.00	10.7	11.7	13.7	12.0	2.1	5.7	4.65	—	5.7	3.6	7.0	4.6	B-3.0	1.73	177	184	2.9

10-foot standard lift for all models.
 Please Note: Special lengths of load and hand chain available upon request.
 Weights are approximate.



CF with PT