

## TCS CHEETAH Air Powered Hoists with Pendant and Cord Controls and Hook Suspension

TCS CHEETAH air hoists have extremely fast and uniquely adjustable lifting and lowering speeds. These hoists are lightweight, compact and have outstanding feathering ability making them a perfect fit for fast-paced assembly line and workstation crane applications.



### Features and Benefits

**Unlimited Duty Cycle**

For continuous operation

**Spring-Loaded Multi-Vane Motor Design**

Permits very fine feathering control

**Extremely Fast Lifting**

For applications where speed is critical

**Extremely Compact & Lightweight Body**

Cast aluminum body allows for easy operation, transportation and storage

**External Speed Adjustment Screw**

No tools required to set specific speeds

**Adjustable Lifting and Lowering Speeds**

Increases production capabilities

**Heavy-duty Disc Motor Brake System**

For reliable load support

**Low Noise Levels**

Adds to operator comfort

**Nickel Plated Load Chain**

Resistant to corrosion, abrasion and wear

### Standard Hoist Specifications

**Capacity Range**

1/4 – 1 Ton

**Standard Lift**

10'  
(longer lifts available)

**Standard Pendant or Cord Length**

4' less than lift  
(longer lengths available)

**Air Supply Pressure**

60 – 90 psi

**Air Lubrication**

Minimum 10 to 15 drops of oil per minute (0.2 – 0.3 cc/min.)

**Air Filtration**

Maximum 5 micron air filter or finer required

**Air Inlet Port**

1/2" NPT

**Air Supply Hose Minimum Size**

1/2"

**Temperature Range**

+14° – 140°F

**Chain Containers**

Optional  
Canvas or Steel



TCS500P

**TCS PENDANT MODEL—SPECIFICATIONS**

Cap. (Tons)	Product Code	Standard Lift (ft)	Push Button Hose L (ft)	Up/Down Speeds (ft/min @ 90 psi)		Up/Down Air Consumption Rates (cubic ft/min @ 90 psi)		Load Chain Diameter (mm) x Chain Fall Lines	Net Weight (lbs)	Weight for Additional One Foot of Lift (lbs)
				No Load	Full Load	No Load	Full Load			
1/4	TCS250P	10	8.1	207 / 125	121 / 197	78 / 67	64 / 74	6.3 x 1	42	0.6
1/2	TCS500P	10	8.1	108 / 62	60 / 108	74 / 64	60 / 71	6.3 x 1	42	0.6
1	TCS1000P2	10	8.1	54 / 31	30 / 54	74 / 64	60 / 71	6.3 x 2	55	1.2

**TCS PENDANT MODEL—DIMENSIONS**

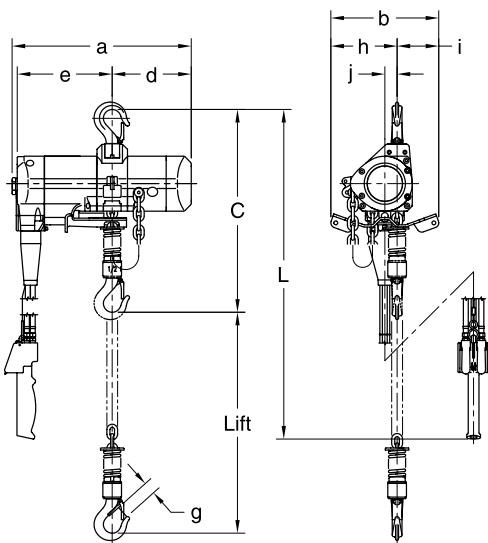
Cap. (Tons)	Product Code	Headroom C (in)	a (in)	b (in)	d (in)	e (in)	g (in)	h (in)	i (in)	j (in)
1/4	TCS250P	16.3	14.4	8.7	6.3	7.6	1.0	5.3	3.3	1.0
1/2	TCS500P	16.3	14.4	8.7	6.3	7.6	1.0	5.3	3.3	1.0
1	TCS1000P2	17.9	14.4	9.0	6.3	8.0	1.1	6.3	2.8	1.9

**TCS CORD MODEL—SPECIFICATIONS**

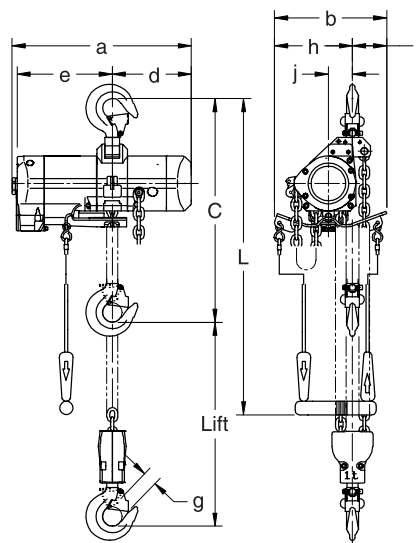
Cap. (Tons)	Product Code	Standard Lift (ft)	Cord L (ft)	Up/Down Speeds (ft/min @ 90 psi)		Up/Down Air Consumption Rates (cubic ft/min @ 90 psi)		Load Chain Diameter (mm) x Chain Fall Lines	Net Weight (lbs)	Weight for Additional One Foot of Lift (lbs)
				No Load	Full Load	No Load	Full Load			
1/4	TCS250C	10	7.3	207 / 125	121 / 197	78 / 67	64 / 74	6.3 x 1	40	0.6
1/2	TCS500C	10	7.3	108 / 62	60 / 108	74 / 64	60 / 71	6.3 x 1	40	0.6
1	TCS1000C2	10	7.3	54 / 31	30 / 54	74 / 64	60 / 71	6.3 x 2	53	1.2

**TCS CORD MODEL—DIMENSIONS**

Cap. (Tons)	Product Code	Headroom C (in)	a (in)	b (in)	d (in)	e (in)	g (in)	h (in)	i (in)	j (in)
1/4	TCS250C	16.3	14.4	8.7	6.3	7.6	1.0	5.3	3.3	1.0
1/2	TCS500C	16.3	14.4	8.7	6.3	7.6	1.0	5.3	3.3	1.0
1	TCS1000C2	17.9	14.4	9.0	6.3	8.0	1.1	6.3	2.8	1.9



TCS250P  
Single Fall Pendant Model



TCS1000C2  
Double Fall Cord Model