

RCB Ex Certified Spark Resistant* Hand Chain Hoist

Harrington's RCB Ex certified spark resistant* hand chain hoists are manufactured with materials that will reduce risk of sparks produced by impact or friction in heavy-duty industrial applications. These hoists are Ex certified spark resistant to level Ex II 2G c IIB T4 and Ex II 2D c 135°C and are in compliance with the ATEX Directive 2014/34/EU. Spark Resistant RPT push trolleys and RGT geared trolleys are available when mobility is required.



MODEL: RCB030

Spark Resistant Features

- Copper-plated load hook
- Stainless steel hand chain
- Nickel-plated load chain
- Solid bronze trolley wheels up to 2 Ton models; Bronze plated trolley wheels on 3 Ton models
- Rubber bumpers

Standard Features

- Capacities 1/2 Ton through 3 Ton
- All-steel hoist construction for extreme durability
- Overload limiter
- Low headroom and lightweight design for ease of use
- Limited number of parts for easy maintenance
- Contoured trolley wheels fit tapered and flat flanged beams
- Trolleys are adjustable to fit a wide variety of beam flange widths

Options

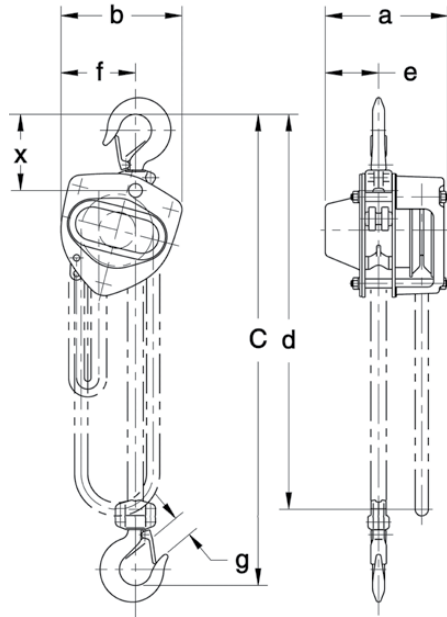
- Chain container
- Stainless steel trolley wheels

**For potentially explosive atmospheres that require features that reduce the risk of spark*

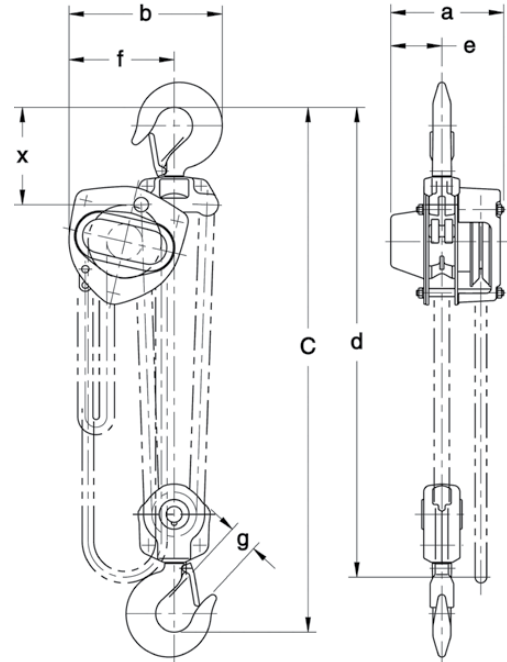
RCB  CERTIFIED SPARK RESISTANT* HAND CHAIN HOIST



RCB030



1/2 – 1 Ton



2 – 3 Ton

RCB HAND CHAIN HOIST — SPECIFICATIONS

Cap. (Tons)	Product Code	Headroom C (in)	Std. Lift (ft)	Pull to Lift Load (lbs)	Overhaul Ratio	Load Chain Dia. (mm) x Chain Fall Lines	Net Weight (lbs)	Shipping Weight Approx. (lbs)	Weight for Additional One Foot of Lift (lbs)
1/2	RCB005	11.6	8	32	43	6.3x1	25	27	1.2
1	RCB010	13.8		48	57	7.1x1	32	33	1.4
2	RCB020	20.1		50	114	7.1x2	53	57	2.1
3	RCB030	23.6		45	198	9.0x2	90	95	3.0

Please Note: Special lengths of load and hand chain available upon request.

Weights are approximate.

*For potentially explosive atmospheres that require features that reduce the risk of spark

RCB HAND CHAIN HOIST — DIMENSIONS

Cap. (Tons)	Product Code	a (in)	b (in)	d (ft)	e (in)	f (in)	g (in)	x (in)
1/2	RCB005	6.4	6.3	8.0	2.8	3.9	1.1	4.0
1	RCB010	6.7	7.2	8.0	3.1	4.4	1.3	4.7
2	RCB020	6.7	9.3	8.3	3.1	6.4	1.7	5.8
3	RCB030	7.6	11.1	10.0	3.6	7.6	1.8	6.8

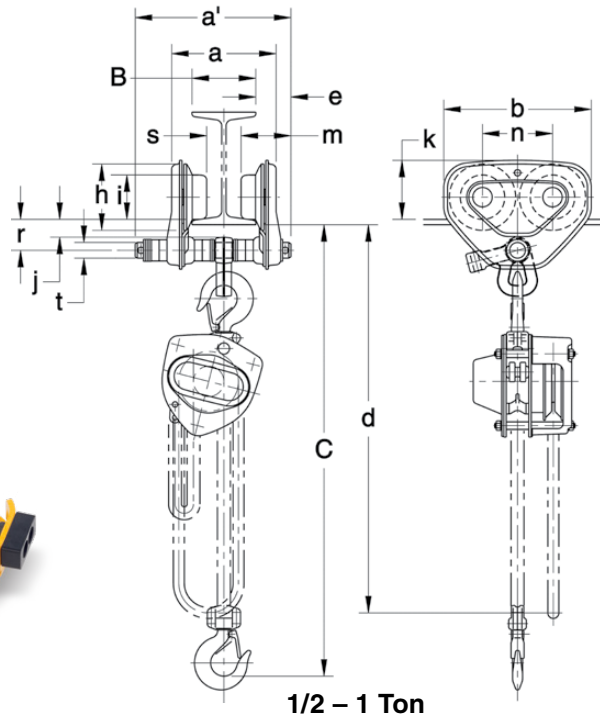
RCB  CERTIFIED SPARK RESISTANT* HAND CHAIN HOIST WITH  CERTIFIED SPARK RESISTANT* PUSH TROLLEY



RCB030 with RPT030



RPT Trolley Wheels



RCB HAND CHAIN HOIST WITH RPT PUSH TROLLEY — SPECIFICATIONS & DIMENSIONS

Cap. (Tons)	Product Code		Headroom C (in)		Std. Lift (ft)	Min. Radius for Curve (in)	Flange Width Adjustability B (in)		a max (in)	a' (in)	b (in)	d (ft)	e (in)	h (in)	i (in)	j (in)	k (in)	m (in)	n (in)	r (in)	s (in)	t (in)	Net Wt. (lbs)	Ship. Wt. (lbs)	Wt. for Add'l One Ft. of Lift (lbs)
	Hoist	Trolley	Hook	Lug			Std.	Option																	
1/2	RCB005	RPTS005	15.4	12.0	8	51.2**	2.28 to 5.00	5.01 to 8.00 or 8.01 to 12.00	8.5	9.8	10.7	8.0	2.2	4.2	2.80	1.1	3.7	2.2	4.4	2.0	B-1.8	0.98	43	46	1.2
1	RCB010	RPTS010	18.5	14.4		59.1	3.23 to 6.02	6.03 to 12.00	10.4	11.8	12.4	8.0	2.7	5.0	3.35	1.3	4.4	2.8	5.2	2.4	B-2.2	1.26	63	66	1.4
2	RCB020	RPTS020	26.3	21.1		66.9**			11.0	12.6	14.7	8.3	3.1	5.8	3.94	1.4	5.3	3.1	6.0	2.7	B-2.2	1.42	104	110	2.1
3	RCB030	RPTS030	32.2	27.2		90.6	3.94 to 7.02	7.03 to 12.00	10.7	11.7	19.0	10.0	2.1	6.7	4.65	1.8	5.7	3.2	7.0	3.4	B-2.8	2.13	201	209	3.0

Please Note: Special lengths of load and hand chain available upon request.

Weights are approximate.

*For potentially explosive atmospheres that require features that reduce the risk of spark

**Min. flange range for curve: 1/2T=2.87", 2T=3.50"

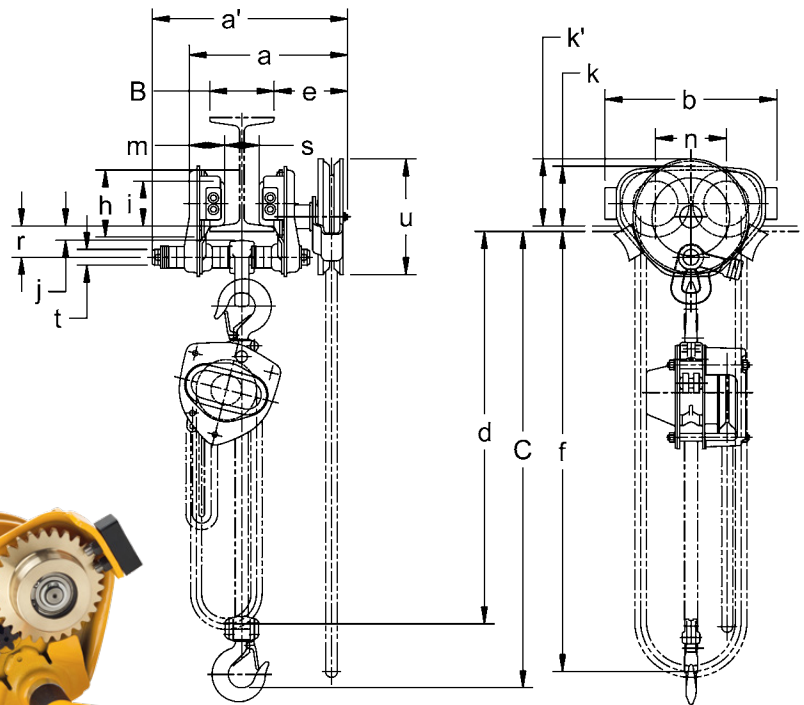
RCB CERTIFIED SPARK RESISTANT* HAND CHAIN HOIST WITH CERTIFIED SPARK RESISTANT* GEARED TROLLEY



RCB010 with RGT010



RGT Trolley Wheels



1/2 – 1 Ton

RCB HAND CHAIN HOIST WITH RGT GEARED TROLLEY — SPECIFICATIONS & DIMENSIONS

Cap. (Tons)	Product Code		Headroom C (in)		Std. Lift (ft)	Min. Radius for Curve (in)	Flange Width Adjustability B (in)		a max (in)	a' (in)	b (in)	d (ft)	e (in)	f (in)	h (in)	i (in)	j (in)	k (in)	k' (in)	m (in)	n (in)	r (in)	s (in)	t (in)	u (in)	Net Wt. (lbs)	Ship. Wt. (lbs)	Wt. for Add'l One Ft. of Lift (lbs)
	Hoist	Trolley	Hook	Lug			Std.	Option																				
1/2	RCB005	RGTS005	15.4	12.0	8.0	51.2**	2.28 to 5.00	5.01 to 8.00 or 8.01 to 12.00	10.8	12.2	10.7	8.0	4.6	7.0	4.2	2.80	1.1	3.7	4.2	2.2	4.4	2.0	B-1.8	0.98	7.2	52	57	1.8
1	RCB010	RGTS010	18.5	14.4		59.1	3.23 to 6.02	6.03 to 12.00	13.7	15.2	12.4	8.0	6.1	7.0	5.0	3.35	1.3	4.4	4.3	2.8	5.2	2.4	B-2.2	1.26	7.2	74	79	2.0
2	RCB020	RGTS020	26.3	21.1		66.9**			14.1	15.7	14.7	8.3	6.2	7.0	5.8	3.94	1.4	5.3	4.5	3.1	6.0	2.7	B-2.2	1.42	7.2	112	121	2.8
3	RCB030	RGTS030	32.2	27.4	90.6	3.94 to 7.02	7.03 to 12.00	14.8	15.8	19.0	10.0	6.2	8.7	6.7	4.65	1.8	5.7	5.1	3.2	7.0	3.4	B-2.8	2.13	7.2	214	225	3.7	

*For potentially explosive atmospheres that require features that reduce the risk of spark
 **Min. flange range for curve: 1/2T=2.87", 2T=3.50"

Harrington Hoists, Inc.
 401 West End Avenue
 Manheim, PA 17545



Toll Free: 800-233-3010
 Phone: 717-665-2000
 Fax: 717-665-2861

www.harringtonhoists.com