

CX Mini Hand Chain Hoist

1/4 and 1/2 Ton Capacity

Harrington's CX mini hand chain hoist is the world's smallest industrial hoist. This uniquely compact and lightweight hoist is the perfect choice for jobs with light loads in high or difficult to reach places such as duct installation, plumbing and heating, home automobile maintenance and crane repair.

Many Benefits from More Features:

- Unique design is extremely compact and lightweight
- Aluminum body with steel frame provides superior strength.
- Load limiter prevents the hoist from being used to lift damaging loads beyond rated capacity.
- Very low force is required to lift load.
- Metal chain guide allows smooth operation.
- Effortless to transport, install and store.

Capabilities to Count On:

- Grade 100, nickel-plated load chain is corrosion and wear resistant.
- Strong hook latches include safety tip.
- 10-foot lift is standard, 20-foot lift is also stocked; nonstandard lifts and hand chain drops are also available.
- Sold individually or in convenient 4-packs.
- Test certificate verifies that every hoist has been factory load tested to 125% of rated capacity in accordance with ASME B30.16 requirements.



1/4 Ton

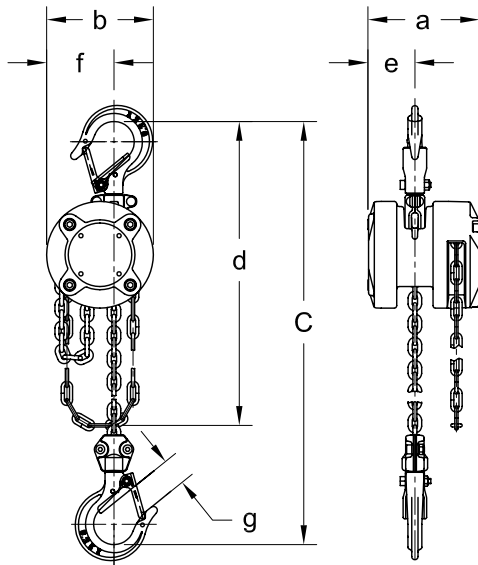


1/2 Ton

CX MINI HAND CHAIN HOIST — SPECIFICATIONS & DIMENSIONS

| Cap. (Tons) | Product Code | Headroom C (in) | Std. Lift (ft) | Pull to Lift Load (lbs) | Over-haul Ratio | a (in) | b (in) | d (ft) | e (in) | f (in) | g (in) | Load Chain Diameter (mm) x Chain Fall Lines | Net Weight (lbs) | Shipping Weight Approx. (lbs) | Weight for Additional One Foot of Lift (lbs) |
|-------------|--------------|-----------------|----------------|-------------------------|-----------------|--------|--------|--------|--------|--------|--------|---|------------------|-------------------------------|--|
| 1/4 | CX003 | 8.5 | 10 | 33 | 34 | 3.5 | 3.3 | 6.8 | 1.5 | 2.1 | 0.8 | 3.2 x 1 | 7.0 | 7.0 | 0.3 |
| 1/4 | CX003 | 8.5 | 20 | 33 | 34 | 3.5 | 3.3 | 16.6 | 1.5 | 2.1 | 0.8 | 3.2 x 1 | 9.0 | 9.0 | 0.3 |
| 1/2 | CX005 | 10.2 | 10 | 42 | 43 | 4.0 | 4.0 | 6.8 | 1.7 | 2.6 | 1.0 | 4.3 x 1 | 10 | 10.6 | 0.6 |
| 1/2 | CX005 | 10.2 | 20 | 42 | 43 | 4.0 | 4.0 | 16.6 | 1.7 | 2.6 | 1.0 | 4.3 x 1 | 16 | 16.4 | 0.6 |

Weights are approximate.



1/4 – 1/2 Ton CX

CX010

Mini Hand Chain Hoist

Compact, Lightweight and Powerful

Harrington's CX010 Mini Hand Chain Hoist is compact, lightweight and easy to use, making it the ideal hoist to use in high or difficult-to-reach places. This model includes a Twist Detector that visually identifies if the bottom hook has been capsized, which alerts users to correct the resulting twisted chain before use. Harrington also offers a CX mini hoist in 1/4 and 1/2 Ton capacities for lifting lighter loads.



MODEL: CX010

Easy To Use

- Extremely lightweight and compact
- Effortless to transport, install and store
- Low force is needed to lift loads
- Perfect size for a toolbox or tool belt
- 10' and 20' standard lift

Dependability

- Aluminum body with steel frame provides superior strength
- Metal chain guide for durability and smooth operation
- Load limiter prevents the hoist from being used to lift damaging loads over rated capacity
- Twist Detector identifies if chain has been twisted
- Grade 100 nickel-plated load chain
- Strong hook latch with safety tip design

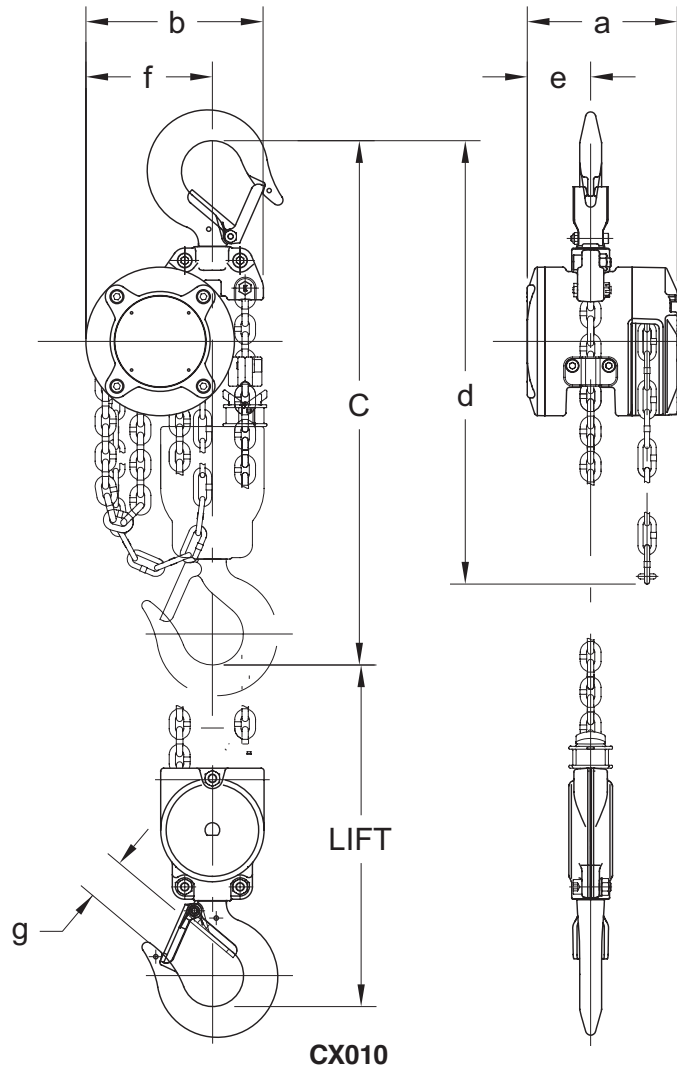
Applications

- Plumbing and heating
- Motor and pump installation
- Car or tractor maintenance
- General maintenance

Ask your local sales representative or call our Customer Service staff for friendly and expert advice on models and options.

CX010 MINI HAND CHAIN HOIST — SPECIFICATIONS & DIMENSIONS

| Cap. (Tons) | Product Code | Headroom C (in) | Std. Lift (ft) | Pull to Lift Load (lbs) | Overhaul Ratio | a (in) | b (in) | d (ft) | e (in) | f (in) | g (in) | Load Chain Diameter (mm) x Chain Fall Lines | Net Weight (lbs) | Approx. Shipping Weight (lbs) | Weight for Additional One Foot of Lift (lbs) |
|-------------|--------------|-----------------|----------------|-------------------------|----------------|--------|--------|--------|--------|--------|--------|---|------------------|-------------------------------|--|
| 1/4 | CX003 | 8.5 | 10 | 33 | 34 | 3.5 | 3.3 | 6.8 | 1.5 | 2.1 | 0.8 | 3.2 x 1 | 7 | 7 | 0.3 |
| 1/4 | CX003 | 8.5 | 20 | 33 | 34 | 3.5 | 3.3 | 16.6 | 1.5 | 2.1 | 0.8 | 3.2 x 1 | 9 | 9 | 0.3 |
| 1/2 | CX005 | 10.2 | 10 | 42 | 43 | 4.0 | 4.0 | 6.8 | 1.7 | 2.6 | 1.0 | 4.3 x 1 | 10 | 10.6 | 0.6 |
| 1/2 | CX005 | 10.2 | 20 | 42 | 43 | 4.0 | 4.0 | 16.6 | 1.7 | 2.6 | 1.0 | 4.3 x 1 | 16 | 16.4 | 0.6 |
| 1 | CX010 | 14.1 | 10 | 44 | 86 | 4.1 | 4.8 | 6.8 | 1.7 | 3.4 | 1.1 | 4.3 x 2 | 17 | 17.4 | 3.1 |
| 1 | CX010 | 14.1 | 20 | 44 | 86 | 4.1 | 4.8 | 16.6 | 1.7 | 3.4 | 1.1 | 4.3 x 2 | 26 | 26.7 | 3.1 |



Harrington Hoists, Inc.
401 West End Avenue
Manheim, PA 17545



Toll Free: 800-233-3010
Phone: 717-665-2000
Fax: 717-665-2861

www.harringtonhoists.com