

# AH Mini-Cat Air Powered Hoists with Pendant and Cord Controls and Hook Suspension

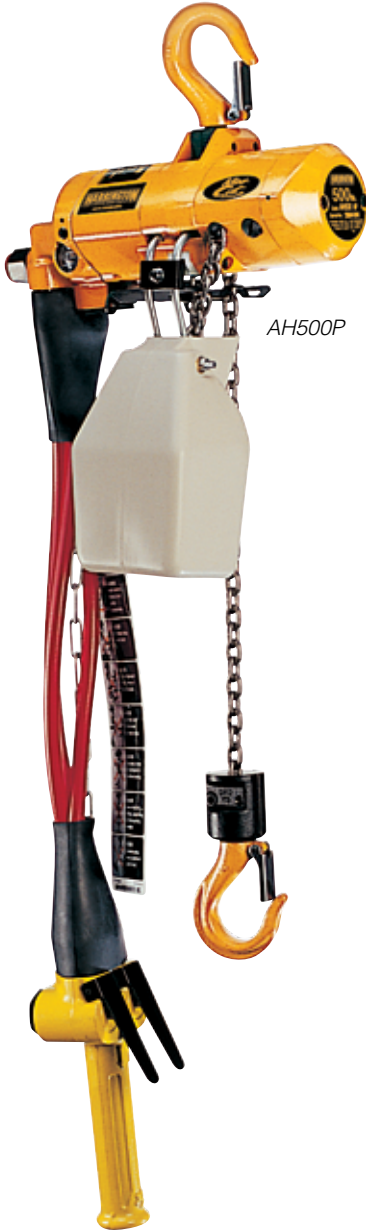
The AH Mini-Cat Series of air hoists was designed with exceptionally low headroom and will easily handle many construction, assembly line and workstation applications.

## Features and Benefits

- Unlimited Duty Cycle**  
For continuous operation
- Extremely Compact & Lightweight Body**  
Allows for easy operation, transportation and storage
- Airtight Hoist**  
Results in efficient use of air
- High Speed Lifting**  
Maximum speed gets jobs done quickly
- Vane Motor Design**  
Permits very fine feathering control
- Aluminum Valve Section**  
Reduces effects of corrosion
- Low Noise Levels**  
Adds to operator comfort
- Disc Motor Brake System**  
For reliable load support
- Nickel Plated Load Chain**  
Resistant to corrosion, abrasion and wear

## Standard Hoist Specifications

- Capacity Range**  
250 – 500 lb.
- Standard Lift**  
10'  
(longer lifts available)
- Standard Pendant or Cord Length**  
4' less than lift  
(longer lengths available)
- Air Supply Requirement**  
19 – 34 cfm at 60 – 90 psi
- Air Lubrication**  
Minimum 10 to 15 drops of oil per minute (0.2 – 0.3 cc/min.)
- Air Filtration**  
Maximum 5 micron air filter or finer required
- Air Inlet Port**  
3/8" NPT
- Air Supply Hose Minimum Size**  
3/8"
- Operating Conditions**  
Temperature range +14° to 140°F  
Humidity 85% or less
- Chain Containers**  
Optional  
Plastic



AH500P



AH500C

# AH Mini-Cat Air Powered Hoists with Pendant and Cord Controls and Hook Suspension

## PENDANT MODEL—SPECIFICATIONS

Capacity (lbs)	Product Code	Headroom (in)	Standard Lift (ft)	Load Chain Dia. (mm) x Chain Fall Lines	Net Weight with Standard Lift (lbs)	Weight for Additional One Foot of Lift (lbs)
250	AH250P	12.0	10	4 x 1	19	0.49
500	AH500P	12.0	10	4 x 1	19	0.49

### Speeds—ft/min at 90 psi:

Capacity (lbs)	Product Code	Up		Down	
		Full Load	No Load	Full Load	No Load
250	AH250P	42 (33)	55 (48)	48 (45)	43 (38)
500	AH500P	29 (18)	55 (48)	53 (51)	43 (38)

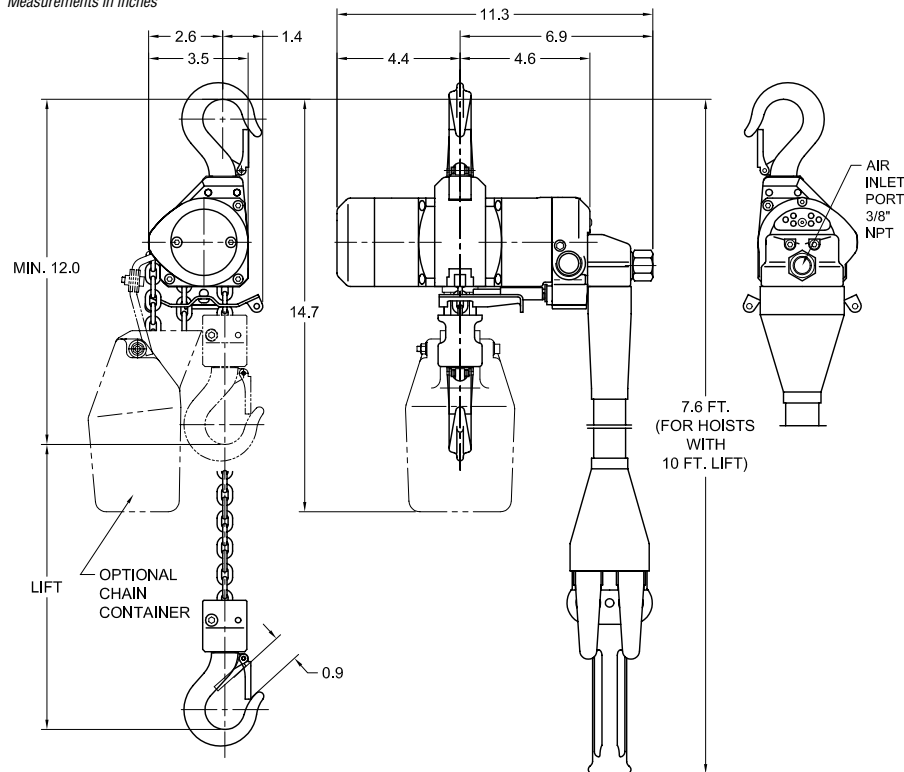
### Air Consumption—cfm at 90 psi:

Capacity (lbs)	Product Code	Up		Down	
		Full Load	No Load	Full Load	No Load
250	AH250P	28 (21)	31 (24)	27 (21)	26 (20)
500	AH500P	26 (19)	31 (24)	28 (22)	26 (20)

Values in parentheses for air supply at 60 psi.

## PENDANT MODEL—DIMENSIONS

Measurements in inches



AH500P

**CORD MODEL—SPECIFICATIONS**

Capacity (lbs)	Product Code	Headroom (in)	Standard Lift (ft)	Load Chain Dia. (mm) x Chain Fall Lines	Net Weight with Standard Lift (lbs)	Weight for Additional One Foot of Lift (lbs)
250	AH250C	12.0	10	4 x 1	15	0.26
500	AH500C	12.0	10	4 x 1	15	0.26

**Speeds—ft/min at 90 psi:**

Capacity (lbs)	Product Code	Up		Down	
		Full Load	No Load	Full Load	No Load
250	AH250C	47 (37)	61 (53)	51 (47)	45 (40)
500	AH500C	32 (20)	61 (53)	56 (54)	45 (40)

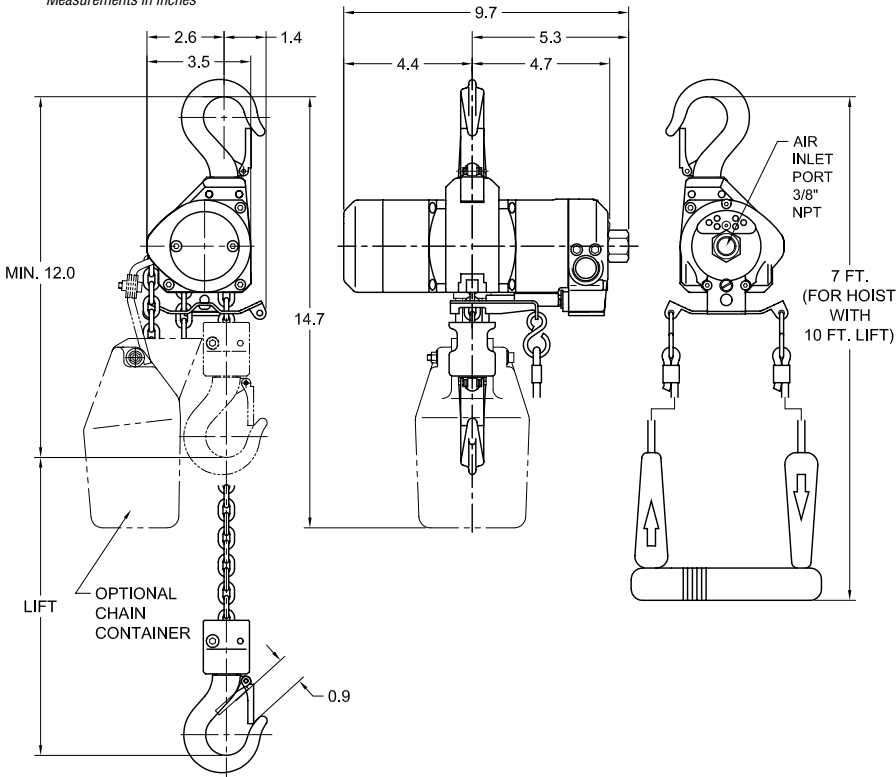
**Air Consumption—cfm at 90 psi:**

Capacity (lbs)	Product Code	Up		Down	
		Full Load	No Load	Full Load	No Load
250	AH250C	32 (24)	34 (27)	30 (24)	28 (23)
500	AH500C	29 (21)	34 (27)	32 (26)	28 (23)

Values in parentheses for air supply at 60 psi.

**CORD MODEL—DIMENSIONS**

Measurements in inches



AH500C

## AH Mini-Cat Air Powered Hoists with Manipulator Control and Hook Suspension

Harrington's AH Mini-Cat Series air hoists also offer a unique ergonomic manipulator control feature designed to support the special repetitive working practices of assembly line and workstation areas in a wide variety of industries.

Refer to page 4 for standard hoist specifications.

### Unique Features and Benefits

#### Manipulator Control

Unique one-handed control replaces standard pendant or cord.

This design is adjustable for either left- or right-handed operation.

Permits the operator to have a free hand to easily position the load.

### Unique Hoist Specifications

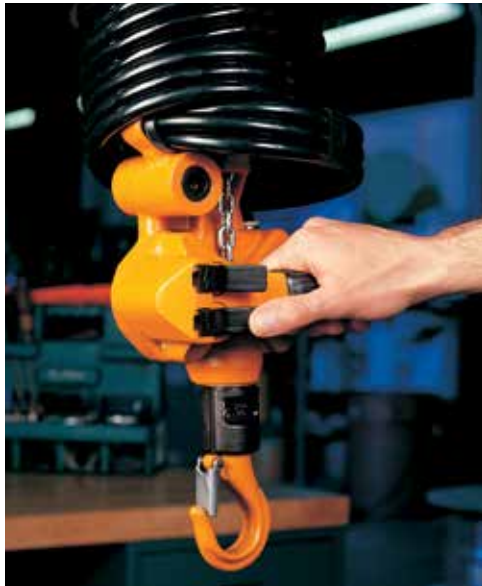
#### Standard Lengths

6.5' Lift—9' reach (approx.)

13' lift—17' reach (approx.)  
(reach equals lift plus headroom)

#### Chain Containers

Standard  
Plastic



**MANIPULATOR MODEL—SPECIFICATIONS**

Capacity (lbs)	Product Code	Headroom (in)	Standard Lift (ft)	Load Chain Dia. (mm) x Chain Fall Lines	Net Weight with Standard Lift (lbs)	Weight for Additional One Foot of Lift (lbs)
250	AH250M	33.0	6.5	4 x 1	24	0.47
500	AH500M	33.0	6.5	4 x 1	24	0.47

**Speeds—ft/min at 90 psi:**

Capacity (lbs)	Product Code	Up		Down	
		Full Load	No Load	Full Load	No Load
250	AH250M	41 (32)	54 (47)	47 (44)	42 (37)
500	AH500M	29 (18)	54 (47)	53 (50)	42 (37)

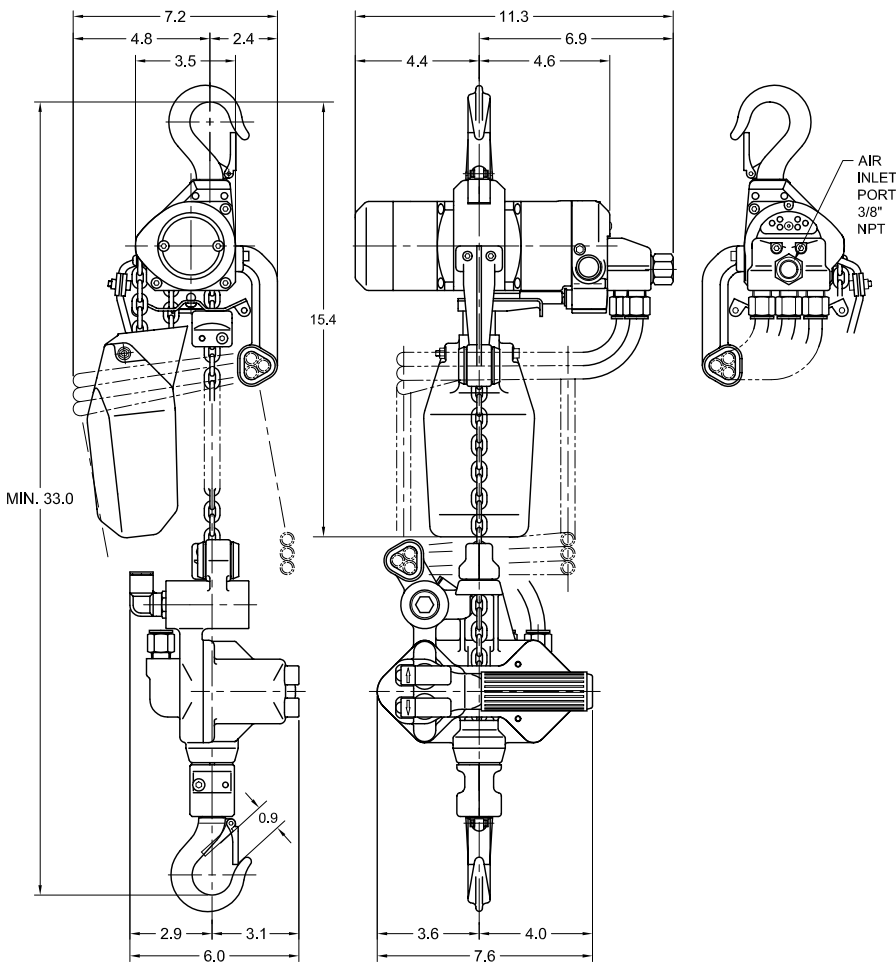
**Air Consumption—cfm at 90 psi:**

Capacity (lbs)	Product Code	Up		Down	
		Full Load	No Load	Full Load	No Load
250	AH250M	28 (21)	31 (24)	27 (21)	26 (20)
500	AH500M	26 (19)	31 (24)	28 (22)	26 (20)

Values in parentheses for air supply at 60 psi.

**MANIPULATOR MODEL—DIMENSIONS**

Measurements in inches



AH500M

# AH Mini-Cat Air Powered Hoists with Lug Suspension

## MINI TROLLEY—SPECIFICATIONS

Maximum Capacity (lbs)	Product Code	Adjustable Beam Width B (in)	Minimum* Radius for Curve (in)	Net Weight (lbs)	Approximate Shipping Weight (lbs)
525	ET525	1.97 – 3.94	23.6	4.0	5.0

Lug mount only.

\*For larger flanges, hook mount AH air hoists to PTF2/GTF2 1/2 or 1 Ton trolleys.

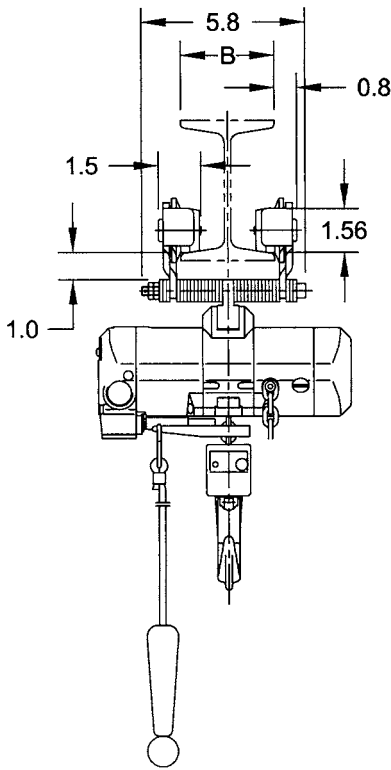


ET525

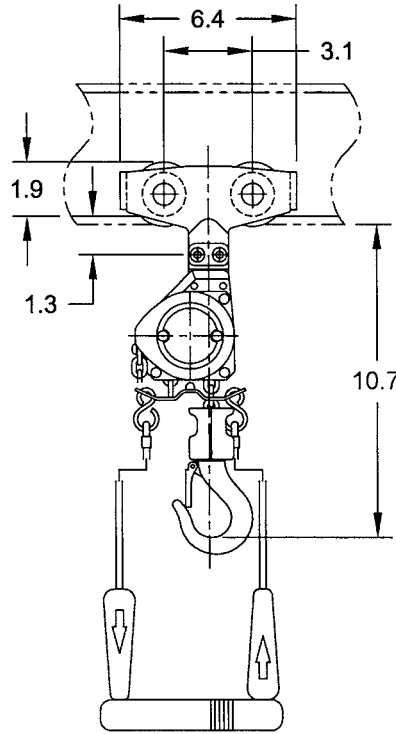
## MINI TROLLEY—DIMENSIONS

Measurements in inches

Dimensions for pendant and cord controls are identical.



AH500C



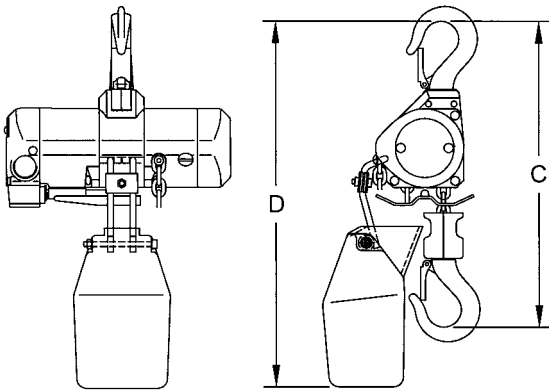
AH500C

# AH Mini-Cat Air Powered Hoists with Options

## HOISTS WITH PLASTIC CHAIN CONTAINERS—DIMENSIONS

Hoist Product Code	Max. Lift (ft)	Container Headroom D (in)	Hoist Headroom C (in)
AH250C/P	10	14.7	12.0
AH500C/P	20	16.1	

Chain containers are easily installed.



AH with Chain Container

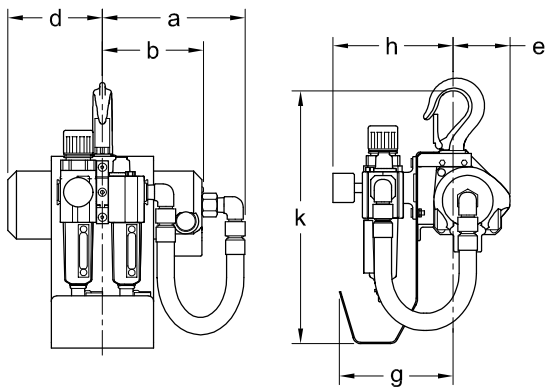
## HOISTS WITH L, FL AND FRL—DIMENSIONS

Cap. (lbs)	Product Code	a (in)		b (in)	d (in)	e (in)	g (in)	h (in)		k (in)
		C	P & M					L & FL	FRL	
250	AH250C/P/M	6.6	8.2	4.7	4.4	2.6	5.3	4.2	5.5	11.7
500	AH500C/P/M	6.6	8.2	4.7	4.4	2.6	5.3	4.2	5.5	11.7

L = Lubricator

FL = Filter and Lubricator

FRL = Filter, Regulator and Lubricator



AH with L, FL and FRL