

Purpose:

To provide catalog charts and figure Latch Kits.

Imperial Latch Kit Specification and Dimensions:

Latch Kit Product Code	Neck Diameter N (in)	Throat Opening T (in)
A	9/16 to 5/8	1 1/16 to 1 1/8
B	3/4 to 13/16	1 1/4
C	7/8 to 1	1 3/8 to 1 1/2
D	1 1/8 to 1 1/4	1 3/4 to 1 7/8
E	1 3/8 to 1 1/2	2 1/16
F	1 5/8 to 1 11/16	2 1/4
G	1 3/4 to 1 13/16	2 1/2
H	1 7/8 to 2	3
J	2 1/16 to 2 1/8	3 3/8
K	2 3/16 to 2 1/4	3 1/2
L	2 5/16 to 2 3/8	3 3/4
M	2 7/16 to 2 3/4	4
O	3 to 3 1/4	4 1/2

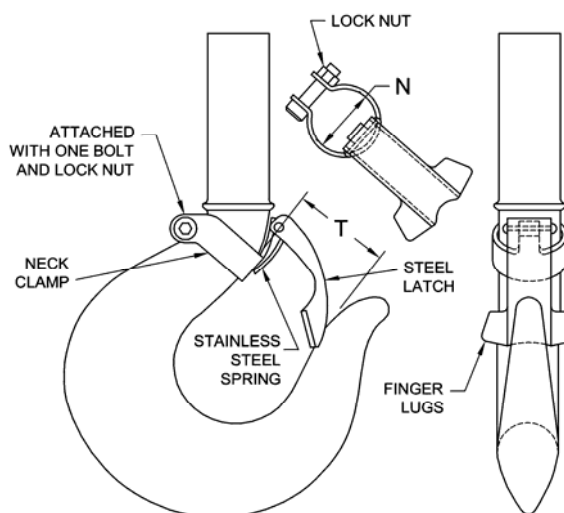


Figure 1 – Latch Kits

Metric Latch Kit Specification and Dimensions:

Latch Kit Product Code	Neck Diameter N (mm)	Throat Opening T (mm)
A	14 to 16	27 to 29
B	19 to 21	32
C	22 to 25	35 to 38
D	29 to 32	44 to 48
E	35 to 38	52
F	41 to 43	57
G	44 to 46	64
H	48 to 51	76
J	52 to 54	86
K	56 to 57	89
L	59 to 60	95
M	62 to 70	102
O	76 to 83	114

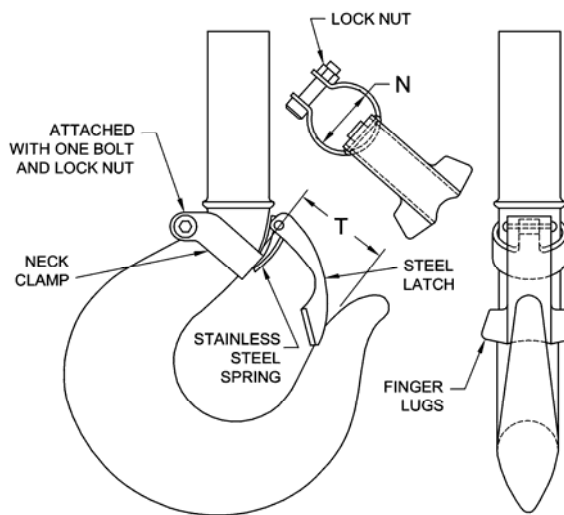


Figure 1 – Latch Kits