



**PT PUSH TROLLEY
MODELS TF2 & T3
SPECIFICATIONS**

Purpose

To provide dimension and specification information for PT TROLLEYS.

Attachments

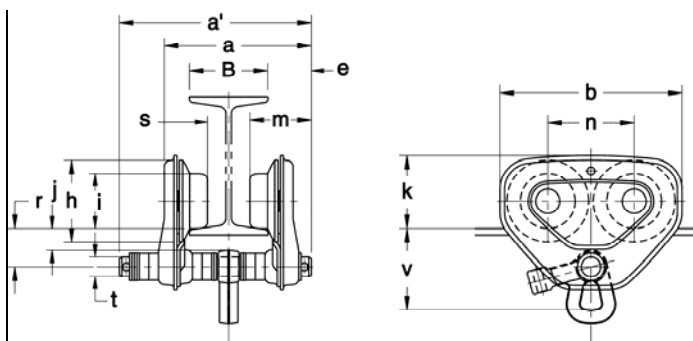
Pg. No. 2	Imperial Data Chart	PT TROLLEY
Pg. No. 2	Metric Data Chart	PT TROLLEY
Pg. No. 2	Line Drawing	PT TROLLEY

PT Trolley Imperial Dimensions & Specifications

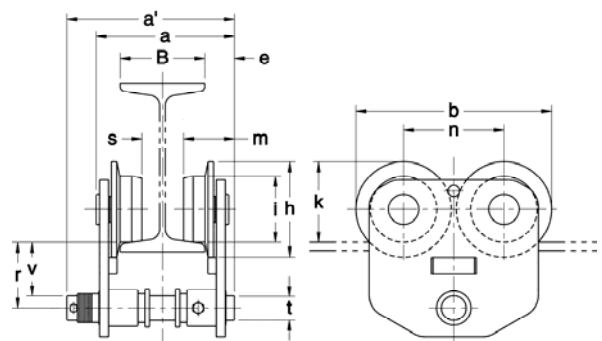
Cap. (Tons)	Product Code	Min. Radius for Curve (in)	Flange Width Adjustability B (in)		a _{max} (in)	a' (in)	b (in)	e (in)	h (in)	i (in)	j (in)	k (in)	m (in)	n (in)	r (in)	s (in)	t (in)	v (in)	Net Weight (lbs)	Shipping Weight Approx. (lbs)
			Standard	Option																
1/2	PTF2005	13.8	2.28 to 4.00	4.01 to 8.00 or 8.01 to 12.00	6.8	9.1	7.2	1.8	3.2	2.36	0.80	3.0	2.7	3.3	1.5	B-1.8	0.87	3.7	9	9
1	PTF2010	17.7	2.28 to 5.00	5.01 to 8.00 or 8.01 to 12.00	8.5	10.8	9.3	2.2	4.2	2.80	1.1	3.7	3.1	4.4	2.0	B-1.9	0.98	4.2	15	16
1 1/2-2	PTF2020	21.7	3.23 to 6.02	6.03 to 12.00	10.4	13.9	11.0	2.7	5.0	3.35	1.4	4.4	3.8	5.2	2.4	B-2.3	1.26	5.6	29	30
2 1/2-3	PTF2030	25.6	3.23 to 6.02	6.03 to 12.00	11.0	14.7	12.8	3.1	5.8	3.94	1.4	5.3	4.3	6.0	2.7	B-2.3	1.42	6.0	46	47
5	PTF2050	78.7	4.92 to 7.02	7.03 to 12.00	10.7	12.8	13.7	2.1	6.7	4.65	-	5.7	3.6	7.0	4.6	B-3.0	1.73	7.0	95	98
8	PT080	118.1	5.50 to 8.66	8.67 to 12.00	14.4	17.6	18.9	4.1	7.3	6.10	-	6.7	5.9	7.7	6.0	B-3.6	2.76	4.6	212	254
10	PT100	118.1	5.50 to 8.66	8.67 to 12.00	14.4	17.6	18.9	4.1	7.3	6.10	-	6.7	5.9	7.7	6.0	B-3.6	2.76	4.6	212	254

PT Trolley Metric Dimensions & Specifications

Cap. (Tons)	Product Code	Min. Radius for Curve (mm)	Flange Width Adjustability B (mm)		a _{max} (mm)	a' (mm)	b (mm)	e (mm)	h (mm)	i (mm)	j (mm)	k (mm)	m (mm)	n (mm)	r (mm)	s (mm)	t (mm)	v (mm)	Net Wt. (kg)	Ship Wt. Appx. (kg)
			Standard	Option																
1/2	PTF2005	350	58 to 102	102 to 203 or 203 to 305	173	231	182	46	82	60	20	76	68	84	38	B-45	22	93	4	4.2
1	PTF2010	450	58 to 127	127 to 203 or 203 to 305	215	276	236	56	106	71	29	95	80	112	50	B-47	25	106	7	7.3
1 1/2-2	PTF2020	550	82 to 153	153 to 305	264	353	280	69	127	85	35	112	97	131	62	B-57	32	142	13	13.4
2 1/2-3	PTF2030	650	82 to 153	153 to 305	280	373	324	79	148	100	36	134	110	152	68	B-59	36	153	21	21.5
5	PTF2050	2000	125 to 178	179 to 305	273	325	347	53	170	118	-	144	91	178	117	B-76	44	179	43	44.4
8	PT080	3000	140 to 220	220 to 305	365	448	480	105	185	155	-	170	150	197	153	B-91	70	118	96	115
10	PT100	3000	140 to 220	220 to 305	365	448	480	105	185	155	-	170	150	197	153	B-91	70	118	96	115



PTF2005 to PTF2030



PTF2050 to PT100