
OWNER'S MANUAL

MANUAL TROLLEY HOIST

MODEL SHB

1 Ton through 10 Ton Capacity

Code, Lot and Serial Number

! WARNING

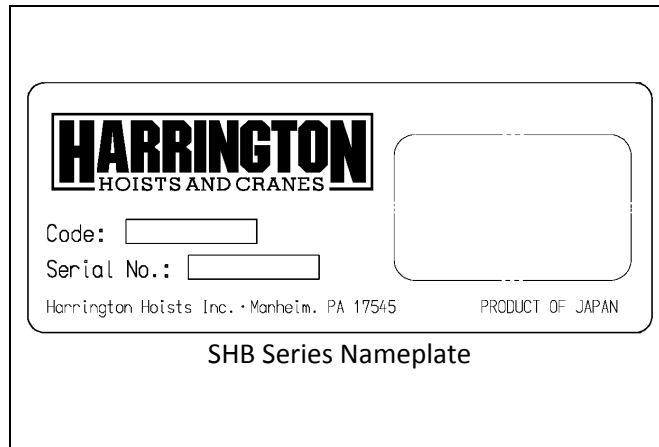
This equipment should not be installed, operated or maintained by any person who has not read and understood all the contents of this manual. Failure to read and comply with the contents of this manual can result in serious bodily injury or death, and/or property damage.

HARRINGTON
HOISTS AND CRANES

9.0 Parts List

When ordering Parts, please provide the Trolley Hoist code number, lot number and serial number located on the Trolley Hoist nameplate (see fig. below).

Reminder: Per sections 1.1 and 3.4.4, to aid in ordering Parts and Product Support, record the Trolley Hoist code number, lot number and serial number in the space provided on the cover of this manual.



The parts list is arranged into the following sections:

Section	Page
9.1 SHB Parts (1 to 5 Ton)	36
9.2 SHB Parts (8 and 10 Ton)	38

9.1 SHB Parts (1 to 5 Ton)

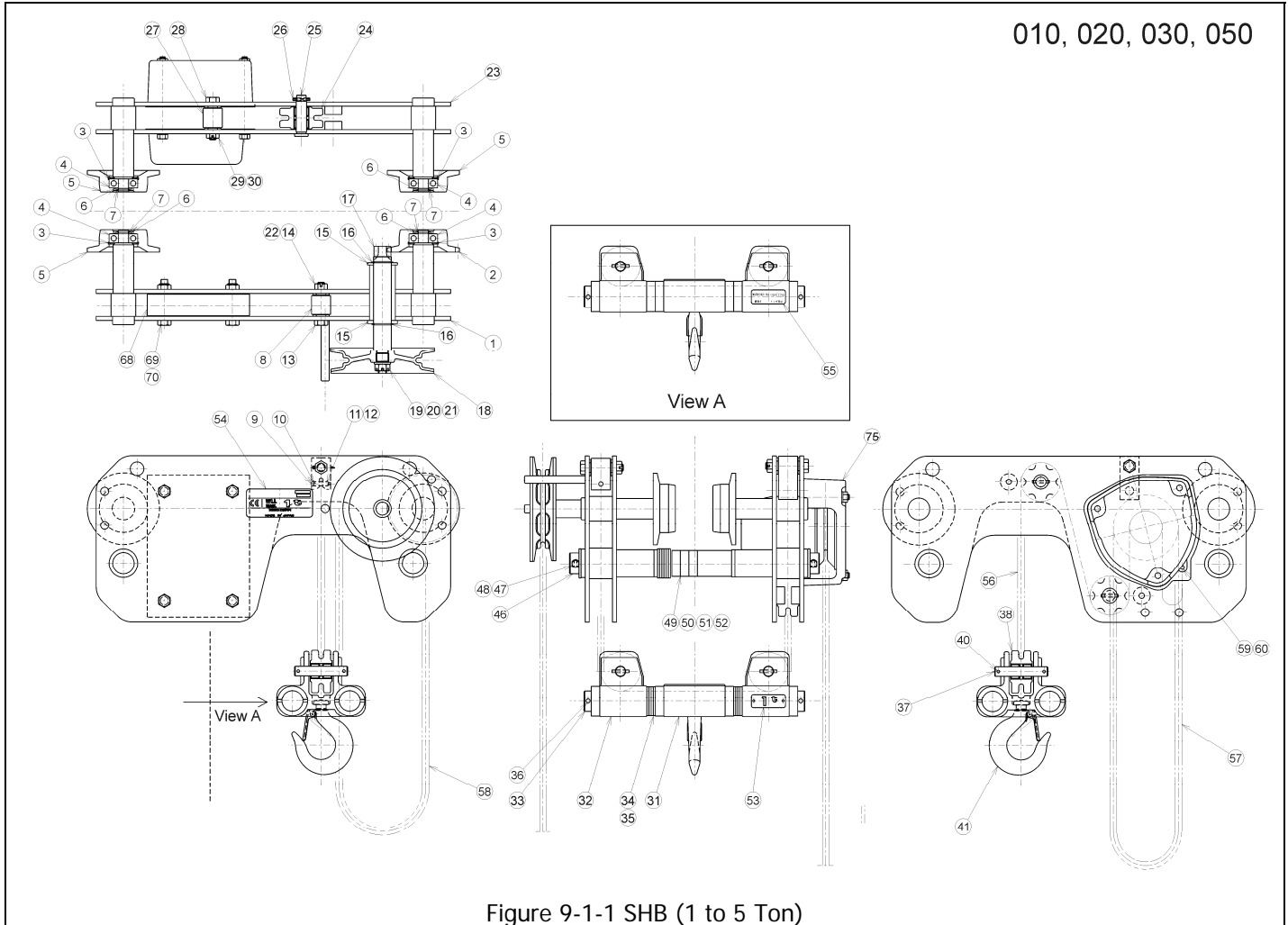


Figure 9-1-1 SHB (1 to 5 Ton)

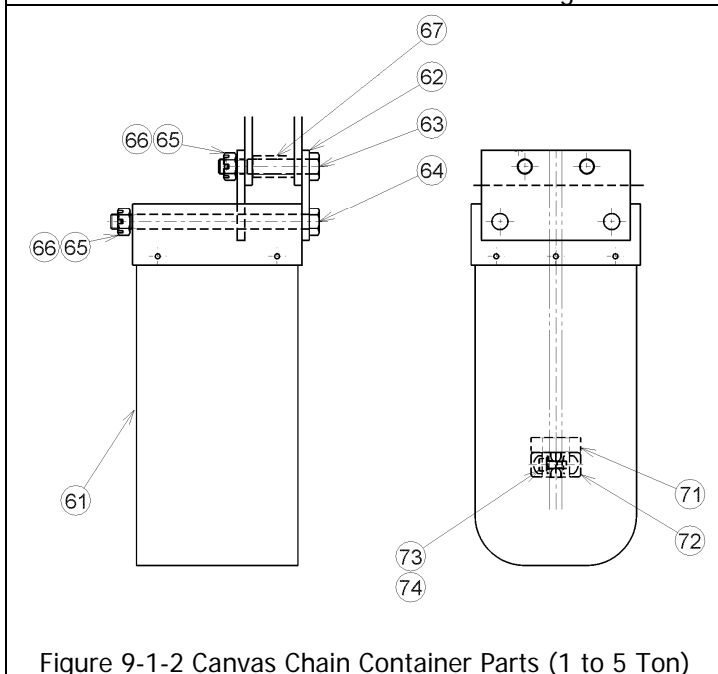


Figure 9-1-2 Canvas Chain Container Parts (1 to 5 Ton)

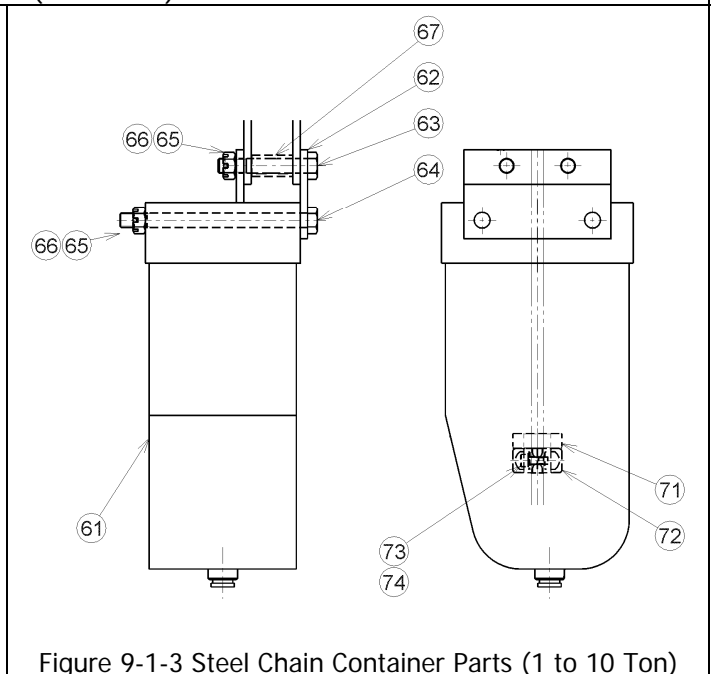


Figure 9-1-3 Steel Chain Container Parts (1 to 10 Ton)

9.1 SHB Parts (1 to 5 Ton)

Figure No.	Part Name	Parts Per Hoist	1 Ton	2 Ton	3 Ton	5 Ton
1	Side Plate G Assembly	1	72CG0105112	72CG0205112	72CG0305112	74CG0505111
2	Track Wheel G	1	T3G1101010	T3G1101020	T3G1101030	T3G1101050
3	Snap Ring	4	9047115	9047120	9047125	9047135
4	Ball Bearing	4	9000702	9000704	9000705	9000707
5	Track Wheel S	3	T3P1102010	T3P1102030	T3P1102050	T3P1102075
6	Track Wheel Washer	4	MS104010	MS104020	MS104030	MS104050
7	Snap Ring	4	9047115	9047120	9047125	9047135
8	Connection Yoke C	1	72CG0109126	72CG0209126	72CG0309126	74CG1009135
9	Chain Pin	1	P1VP0509107	P1VP0639107	P1VP0809107	M3041075
10	Spring Pin	1	9148125	9148154	9148157	
11	Slotted Nut	1				M2049020
12	Split Pin	1				9009412
13	Hexagon Head Bolt	1	72CG0109129	P1VN0809114	P1VN1009114	P1VN1259114
14	Slotted Nut	1	L3183008	ES088020L	J1NL00110180	J1NL00110240
15	Plain Washer	2	9012521	9012521	9012521	9012521
16	Snap Ring	2	9047126	9047126	9047126	9047126
17	Pinion	1	72CG0109134	72CG0209134	72CG0309134	72CG0509134
18	Hand Wheel	1	T6G123010	T6G123010	T7GA0509123	T7GA0509123
19	Slotted Nut	1	J1NL0011012	J1NL0011012	J1NL0011012	J1NL0011012
20	Plain Washer	1	9012515	9012515	9012515	9012515
21	Split Pin	1	9009424	9009424	9009424	9009424
22	Split Pin	1	9009417-5	9009436	9009438	9009447
23	Side Plate S Assembly	1	72CG0105113	72CG0205113	72CG0305113	74CG0505112
24	Idle Sheave	2	ES1051005L	ES1051020L	72CG0301142	M3051050
25	Top Idle Sheave Shaft	2	72CG0109143	72CG0209143	72CG0309143	74CG0509116
26	Spring Pin	2	9148157	9148191	91481108	91481110
27	Suspender C	1	72CG0109145	72CG0209145	72CG0309145	74CG1009134
28	Hexagon Head Bolt	1	72CG0109129	P1VN0809114	P1VN1009114	P1VN1259114
29	Slotted Nut	1	L3183008	ES088020L	J1NL00110180	J1NL00110240
30	Split Pin	1	9009417-5	9009436	9009438	9009447
31	Suspender A	2	72CG0109161	72CG0209161	72CG0309161	74CG0509201
32	Suspender B	2	72CG0109162	72CG0209162	72CG0309162	74CG0509202
33	Lower Shaft	2	74SH0109563	74SH0209563	74SH0309563	74SH0509563
34	Thick Spacer	(AR)	MSF116010 (12)	T7G116030 (4)	MSF116030 (16)	74SH0509583 (8)
35	Thin Spacer	(AR)	MSF117010 (30)	MSF117020 (24)	T6G120050 (24)	74SH0509584 (22)
36	Spring Pin	4	9148110	91481124	91481170	91481170
37	Bottom Idle Sheave Shaft	2	72CG0109169	72CG0209169	72CG0309169	74CG0509207
38	Idle Sheave	2	ES1051005L	ES1051020L	72CG0301142	M3051050
40	Spring Pin	4	9148157	9148191	91481108	91481111
41	Bottom Hook Assembly	1	C3BA0102001	C3BA0202001	C3BA0302001	C3BA0502001
46	Upper Shaft	2	74SH0109581	74SH0209581	74SH0309581	74SH0509581
47	Shaft Stopper Pin	4	T6G156020	MS164020	MS164030	MS164050
48	Split Pin	4	9009432	9009432	9009433	9009433
49	Thick Spacer	(AR)	MSF116010 (10)	MSF116030 (8)	MSF116030 (8)	74SH0509583 (34)
50	Fixing Spacer	(AR)	MSF182010 (4)	MSF182020 (8)	74SG0309583 (8)	-
51	Thin Spacer	(AR)	MSF117010 (10)	MSF117020 (20)	T6G120050 (22)	74SH0509584 (18)
52	Thin Spacer C	4	74CG0109853	-	-	-
53	Name Plate	1	72CG0109802	73CG0209802	73CG0309802	73CG0509802
54	Name Plate B	1	3007174901	3007174901	3007174901	3007174901
55	Name Plate C	1	72CG0109805	72CG0109805	72CG0109805	72CG0109805
56	Load Chain	1	LCCF005	LCCF3015	LCC3020	LCC3025
57	Hoist Hand Chain	1	HCCF005	HCCF005	HCCF005	HCCF005
58	Trolley Hand Chain	1	HCCF005	HCCF005	HCCF005	HCCF005
59	Stopper Pin	1	M3177005	M3177015	M3177020	MS164050
60	Split Pin	1	9009411	9009413	9009413	9009433
61	Canvas Chain Container Assembly (Option)	1	72BD0105101 (4m)	72BD0105101 (4m)	72BD0205102 (4m)	
			72BD0105102 (7m)	72BD0105102 (7m)	72BD0305102 (7m)	
	Steel Chain Container Assembly (Option)		72BA0105101 (6m)	72BA0105101 (6m)	72BA0305101 (6m)	72BA0505101 (6m)
			72BA0105102 (9m)	72BA0105102 (9m)	72BA0305102 (9m)	72BA0505102 (9m)
62	Chain Container Suspender	2	72BD0109301	72BD0209301	72BD0309301	72BD0509301 (6m) 72BD0509301 (9m)
63	Container Suspender Bolt A	2	72BD0109201	72BD0209201	72BD0309201	72BD0509201
64	Container Suspender Bolt B	2	72BD0109202 (Canvas)	72BD0209202 (Canvas)	72BD0209202 (4m) 72BD0309202 (7m)	72BA0509202
			72BA0109202 (Steel)	72BA0109202 (Steel)	72BA0109202 (Steel)	72BA0109202 72BD0509202
65	Slotted Nut	4	J1NL0011012	J1NL0011012	J1NL0011012	ES088020L
66	Split Pin	4	9009424	9009424	9009424	9009424
67	Spacer	2	72BD0109203	72BD0209203	72BD0309203	72BD0509203
68	Balancer	1	72BD0109402	72BD0209402	72BD0309402	74CG0509501
69	Hexagon Head Bolt	4	9093128	9093128	9093133	9093135
70	U Nut	4	J1NU00110100	J1NU00110100	J1NU00110100	J1NU00110100
71	Stopper Spacer	1	72BD0109401	72BD0209401	72BD0309401	72BD0509401
72	Stopper	2	ER1CS9041	ER1DS9041	ER1ES9041	ER1ES9041
73	Socket Bolt	2	9091249	9091250	9091251	9091252
74	Spring washer	2	9012709	9012709	9012709	9012709
75	Chain Hoist Body	1	CB005	CB015	CB020	CB025

AR = Quantities are shown in the parentheses next to part numbers.

9.2 SHB Parts (8 and 10 Ton)

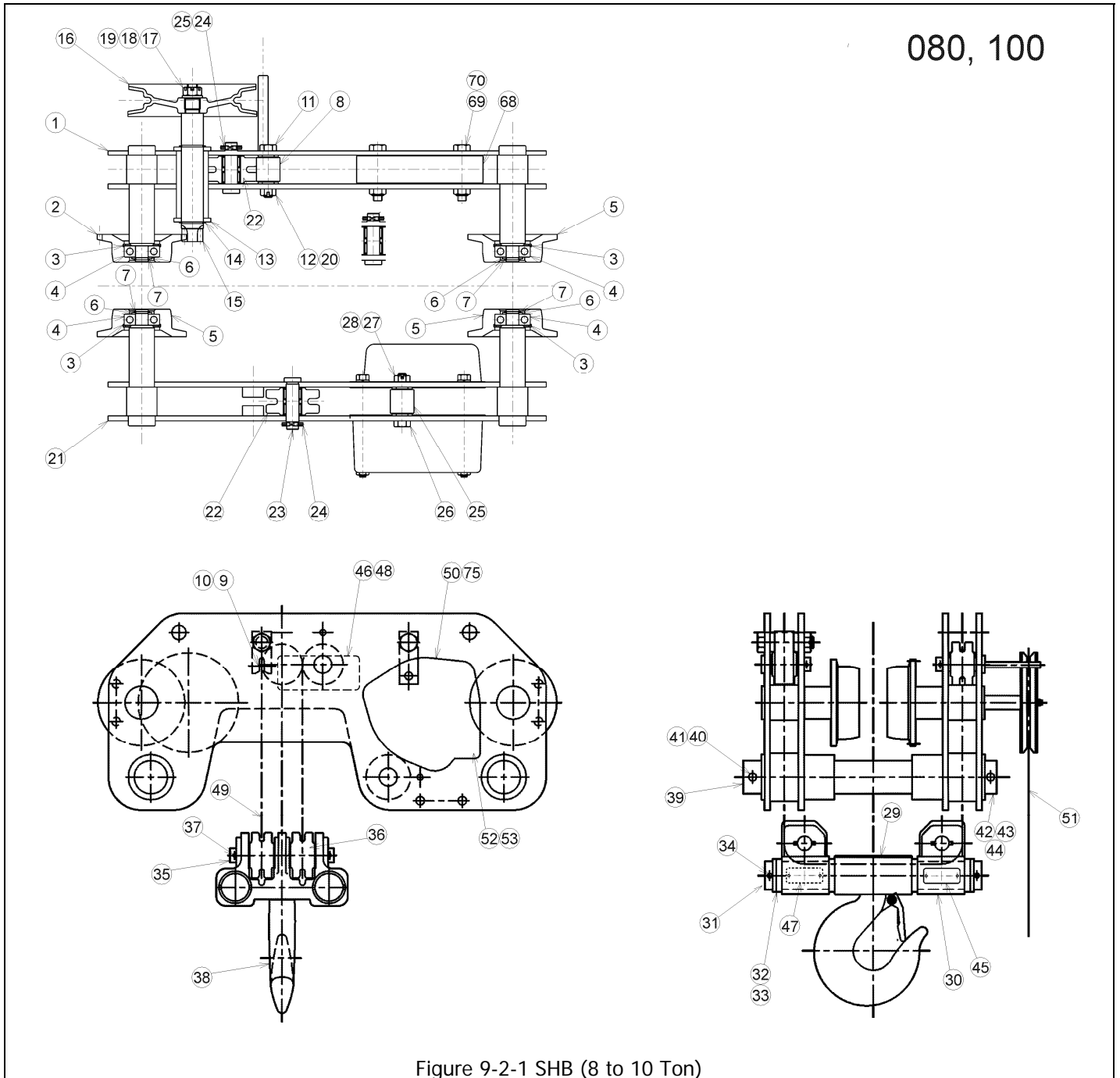


Figure 9-2-1 SHB (8 to 10 Ton)

9.2 SHB Parts (8 and 10 Ton)

Figure No.	Part Name	Parts Per Hoist	8 Ton	10 Ton
1	Side Plate G Assembly	1	74CG1005111	
2	Track Wheel G	1	T3G1101075	
3	Snap Ring	4	9047140	
4	Ball Bearing	4	9000708	
5	Track Wheel S	3	T3G1102075	
6	Track Wheel Washer	4	T3G104075	
7	Snap Ring	4	9047140	
8	Connection Yoke C	1	74CG1009135	
9	Chain Pin	1	M3041075	
10	Spring Pin	1	9148107	
11	Hexagon Head Bolt	1	P1VN1259114	
12	Slotted Nut	1	J1NL00110240	
13	Plain Washer	2	9012525	
14	Snap Ring	2	9047130	
15	Pinion	1	T3G121075	
16	Hand Wheel	1	74CG1009222	
17	Slotted Nut	1	J1NL0011012	
18	Plain Washer	1	9012515	
19	Split Pin	1	9009424	
20	Split Pin	1	9009447	
21	Side Plate S Assembly	1	74CG1005112	
22	Idle Sheave	2	M3051050	
23	Top Idle Sheave Shaft	2	74CG1009116	
24	Spring Pin	2	91481110	
25	Suspender C	1	74CG1009134	
26	Hexagon Head Bolt	1	P1VN1259114	
27	Slotted Nut	1	J1NL00110240	
28	Split Pin	1	9009447	
29	Suspender A	2	74CG1009201	
30	Suspender B	2	74GC1009202	
31	Lower Shaft	2	74SH1009563	
32	Thick Spacer	8	72CG1009204	
33	Thin Spacer	32	74SH1009565	
34	Spring Pin	4	91481171	
35	Bottom Idle Sheave Shaft	2	74CG1009207	
36	Idle Sheave	2	M3051050	
37	Spring Pin	4	91481111	
38	Bottom Hook Assembly	1	C3BA1002001	
39	Upper Shaft	2	74SH1009581	
40	Shaft Stopper Pin	4	MS164075	
41	Split Pin	4	9009435	
42	Thick Spacer	14	MS117075	
43	Fixing Spacer	6	M6SE100S9182	
44	Thin Spacer	22	MS116075	
45	Name Plate	1	73CG0759802	73CG1009802
46	Name Plate B	1	3007174901	
47	Name Plate C	1	72CG0109805	
48	Name Plate C	1	MR2SHM75S9A72	MR2SHM10S9A72
49	Load Chain	1	LCC3025	
50	Hoist Hand Chain	1	HCCF005	
51	Trolley Hand Chain	1	HCCF005	
52	Stopper Pin	1	M3177025	
53	Split Pin	1	9009414-5	
61	Steel Chain Container (Option)	1	72BD1005101 (4m) 72BD1005102 (8m)	
62	Chain Container Suspender	2	72BD0509301	
63	Container Suspender Bolt A	2	72BD1009201	
64	Container Suspender Bolt B	2	72BD1009202	
65	Slotted Nut	4	ES088020L	
66	Split Pin	4	9009436	
67	Spacer	2	72BD0509203	
68	Balancer	1	72BD1009402	
69	Hexagon Head Bolt	4	9093135	
70	U Nut	4	J1NU00110100	
71	Stopper Spacer	1	72BD0509401	
72	Stopper	2	ER1ES9041	
73	Socket Bolt	2	9091273	
74	Spring washer	2	9012712	
75	Chain Hoist Body	1	CB025	

This Page Intentionally Left Blank

This Page Intentionally Left Blank

This Page Intentionally Left Blank

This Page Intentionally Left Blank