
OWNER'S MANUAL

MOTORIZED AIR TROLLEY MCR SERIES

¼ Ton through 6 Ton Capacity

Code and Serial Number

WARNING

This equipment should not be installed, operated or maintained by any person who has not read and understood all the contents of this manual. Failure to read and comply with the contents of this manual can result in serious bodily injury or death, and/or property damage.

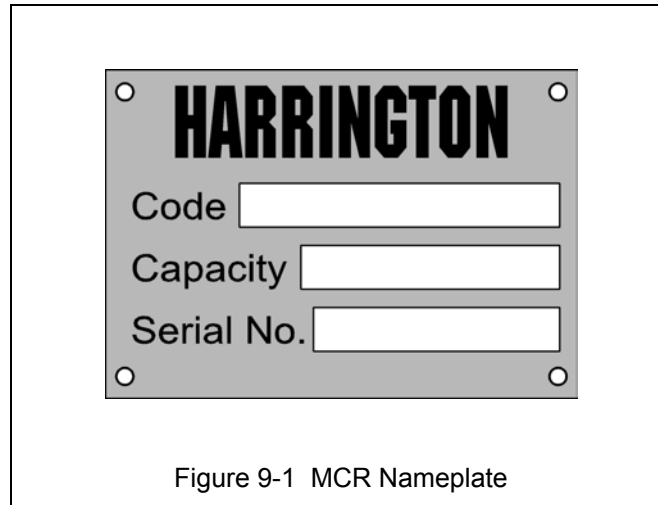
HARRINGTON
HOISTS AND CRANES

This Page Intentionally Left Blank

9.0 Parts List

When ordering Parts, please provide the trolley's code number and serial number located on the trolley's nameplate (see figure 9-1 below).

Reminder: Per sections 1.1 and 3.12.1 to aid in ordering Parts and Product Support, record the Trolley's code number and serial number in the space provided on the cover of this manual.



The parts list is arranged into the following sections:

Section	Page
9.1 Side Plates, Gearbox and Suspension Parts.....	42
9.2 Air Motor and Control Valve Parts.....	46
9.3 Air Connection and Pendant Parts.....	48

9.1 Side Plates, Gearbox and Suspension Parts

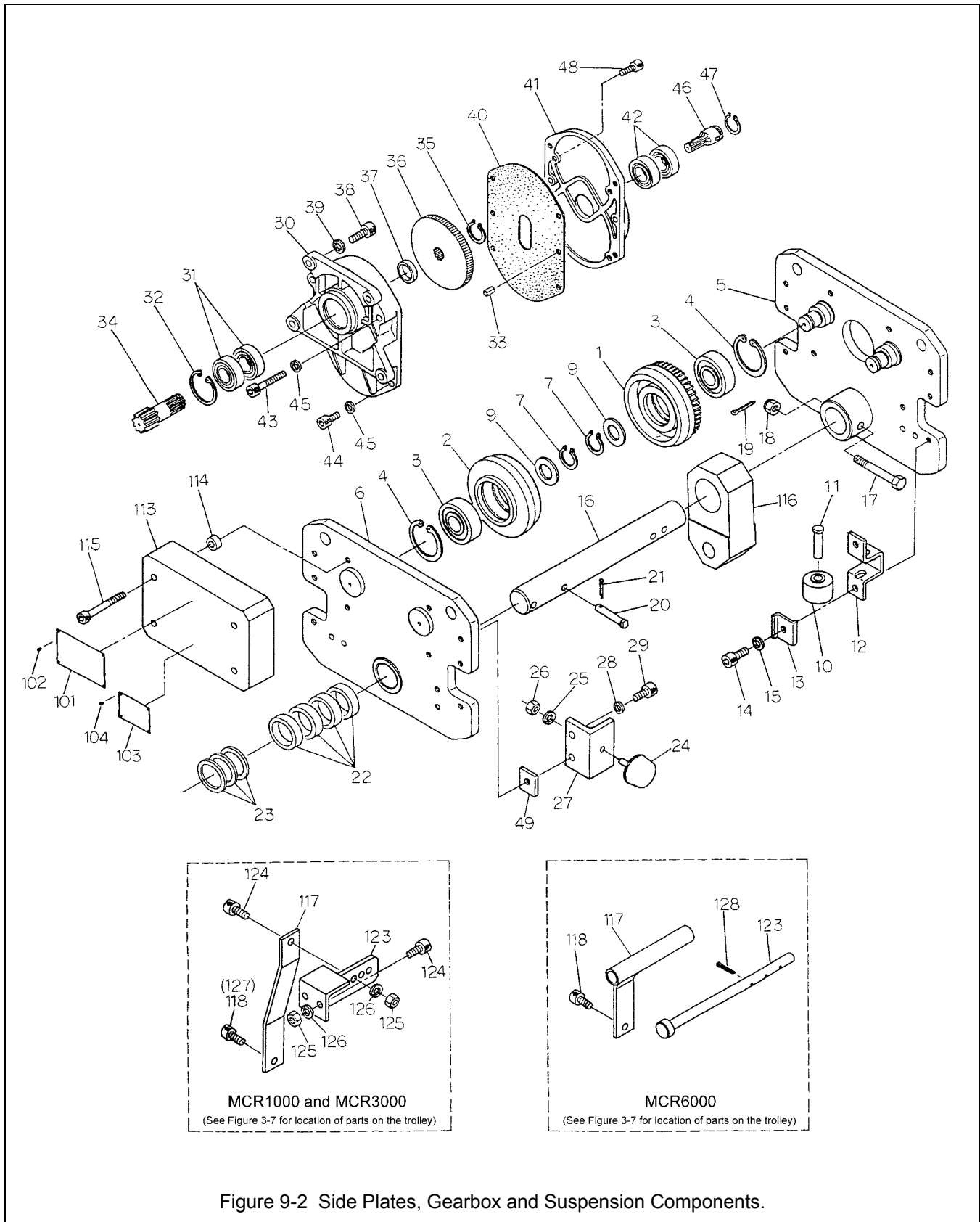


Figure 9-2 Side Plates, Gearbox and Suspension Components.

9.1 Side Plates, Gearbox and Suspension Parts

Fig. No.	Description	Qty.	MCR1000	MCR3000	MCR6000
1	Track Wheel "G" Assembly	2	MCR422610010	MCR422630010	MCR422660010
2	Track Wheel "S" Assembly	2	MCR422610020	MCR422630020	MCR422660020
3	Bearing	4	9000702	9000705	9000708
4	Retaining Ring	4	9047242	9047262	9047290
5	Side Plate "G" Assembly	1	MCR42261003B	MCR42263003B	MCR42266003B
6	Side Plate "S" Assembly	1	MCR42261006B	MCR42263006B	MCR42266006B
7	Retaining Ring	4	9047115	9047125	9047140
9	Wheel Washer	4	MCR422610090	MCR422630090	MCR422660090
10	Side Roller	4	MCR422610100	MCR422630100	MCR422660100
11	Side Roller Shaft	4	MCR422610110	MCR422630110	MCR422660110
12	Side Roller Holder	4	MCR422610120	MCR422630120	MCR422660120
13	Stopper Plate	4	MCR422610130	MCR422630130	MCR422660130
14	Socket Bolt	4	9091272	9091294	90913150
15	Spring Washer	4	9012711	9012712	9012715
16	Suspension Shaft	1	MCR422610700	MCR422630700	MCR422660700
17	Bolt	1	MCR422610170	MCR422630170	MCR422660170
18	Slotted Nut	1	T3P154020	T3P154050	T3G154075
19	Split Pin	1	9009414-5	9009423	9009436
20	Shaft Stopper Pin	1	MCR422610200	MCR422630200	MCR422660200
21	Split Pin	1	9009432		9009444
22	Thick Spacer	(x)	MCR422610210 (5)	MCR422630210 (3)	MCR422660210 (3)
23	Thin Spacer	8	MCR422610710	MCR422630710	MCR422660710
24	Bumper	4	MR1DS9631	MR1FS9631	
25	Spring Washer	4	9012711		
26	Nut	4	9093424		
27	Bumper Bracket	4	MCR422612750	MCR422632750	MCR422662750
28	Spring Washer	8	9012711	9012712	9012715
29	Socket Bolt	8	9091272	9091295	90913151
30	Gear Case	1	MCR422610220		
31	Bearing	2	9000605		
32	Retaining Ring	1	9047252		
33	Spring Pin	2	91481113		
34	Drive Gear	1	MCR422610230	MCR422630230	MCR422660230
35	Retaining Ring	1	9047125		
36	Gear	1	MCR422610240		
37	Gear Spacer	1	MCR422610250		
38	Socket Bolt	4	9091294	9091295	
39	Spring Washer	4	9012712		
40	Gear Case Packing	1	MCR136102099		
41	Gear Cover	1	MCR422610270		
42	Bearing	2	9000505		
43	Socket Bolt	2	9091277		
44	Socket Bolt	2	9091272		
45	Spring Washer	4	9012711		
46	Pinion	1	MCR422610280		
47	Retaining Ring	1	9047125		
48	Socket Bolt	4	9091272		
49	Square Spacer	4	MCR131411010	MCR131411030	MCR131411060

9.1 Side Plates, Gearbox and Suspension Parts

Fig. No.	Description	Qty.	MCR1000	MCR3000	MCR6000
101	Capacity Name Plate ¼ Ton	1	6072503		
	Capacity Name Plate ½ Ton		6072501		
	Capacity Name Plate 1 Ton		MCR137301041		
	Capacity Name Plate 2 Ton			6072502	
	Capacity Name Plate 3 Ton			MCR137301043	
	Capacity Name Plate 6 Ton				MCR137301046
102	Socket Bolt	4	9091203		
103	Name Plate	1	MCR137301049		
104	Rivet	4	MCR133001110		
113	Balance Weight	1	MCR422610950		
114	Balance Weight Washer	4	MCR422610970		
115	Socket Bolt	4	9091282	9091283	9091284
116	Suspender TCR250, 500 & 1000	1	6040201		
	Suspender TCR1000-2		60403		
	Suspender TCR2000-2			6040401	
	Suspender TCR3000			MCR422630330	
	Suspender TCR6000				MCR422770350
117	Hanger TCR250, 500 & 1000	1	MCR422695550		
	Hanger TCR1000-2		MCR422710550		
	Hanger TCR2000-2			MCR422740550	
	Hanger TCR3000			MCR422755550	
	Hanger TCR6000				MCR422770550
118*	Socket Bolt TCR250, 500, 1000-2, 1000 & 2000-2	1	9091269		
	Socket Bolt TCR3000 & 6000			9091271	
123	Hanger Bracket	1	MCR422610600	MCR422630610	MCR42266065B
124	Socket Bolt	3	9091273	9091274	
125	Nut	3	9093424		
126	Spring Washer	3	9012711		
127*	Socket Bolt TCR250, 500, 1000-2, 1000 & 2000-22	1	9091271		
	Socket Bolt TCR3000 & 6000			9091272	
128	Split Pin	1			9009423

*Use Socket Bolt figure no. 127 in place of no. 118 when optional chain container is installed on hoist.

This Page Intentionally Left Blank

9.2 Air Motor and Control Valve Parts

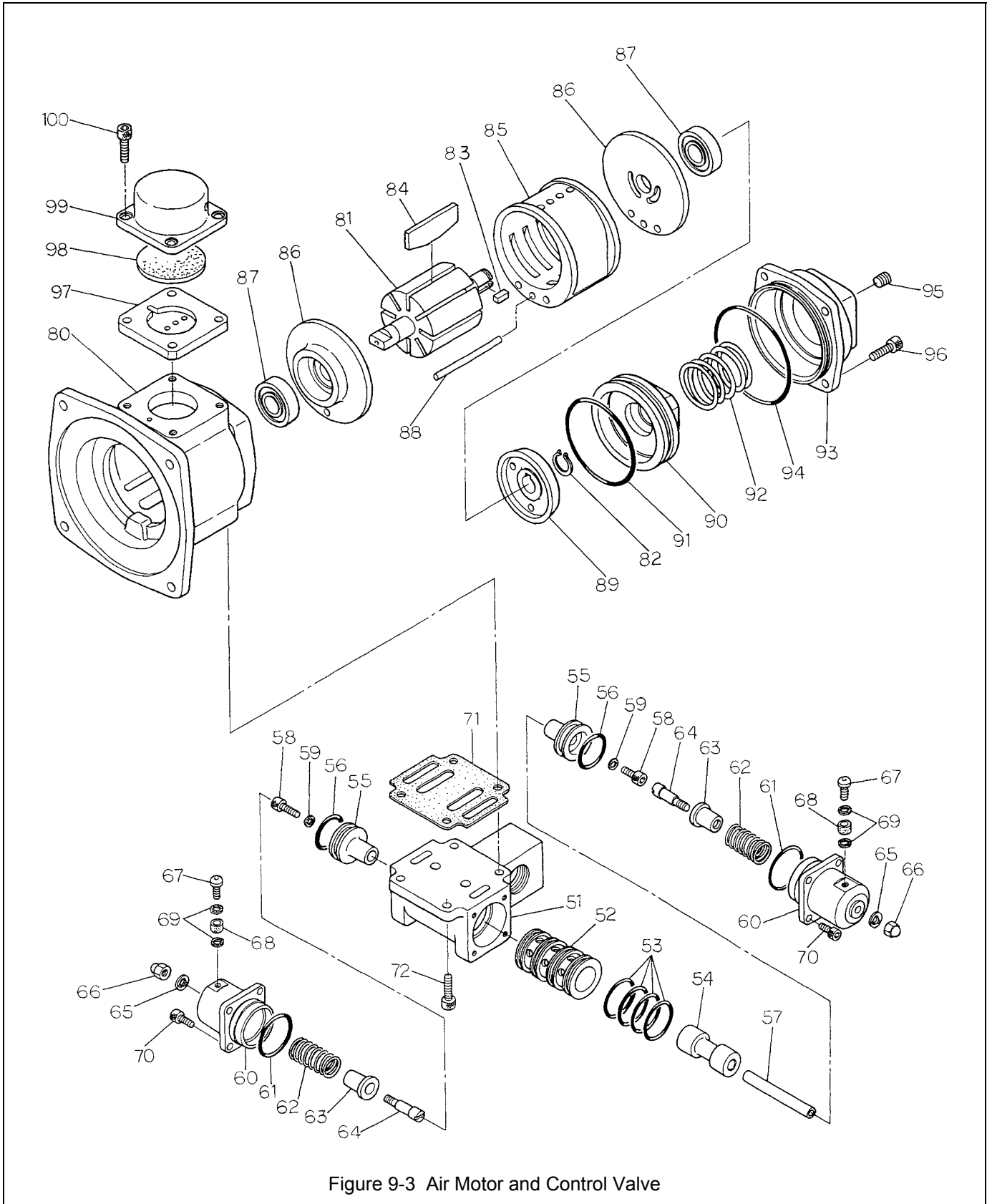


Figure 9-3 Air Motor and Control Valve

9.2 Air Motor and Control Valve Parts

Fig. No.	Description	Qty.	MCR1000 MCR3000 MCR6000
51	Valve Body	1	MCR422601010
52	Valve Bushing	1	MCR422601020
53	O-Ring	4	MCR131117026
54	Throttle Valve	1	MCR422601040
55	Piston	2	MCR422601050
56	O-Ring	2	MCR131151025
57	Piston Shaft	1	MCR422601070
58	Socket Bolt	2	9091228
59	Seal Washer	2	TCR136102094
60	Valve Cap	2	MCR422601100
61	O-Ring	2	MCR131103029
62	Throttle Valve Spring	2	MCR130802261
63	Spring Seat	2	MCR426223B50
64	Spring Seat Shaft	2	MCR426261B60
65	Washer	2	MCR136102095
66	Acom Nut	2	9158703
67	Element Holder	2	MCR426221G50
68	Element	2	MCR136302010
69	Seal Washer	4	TCR136102094
70	Socket Bolt	8	9091227
71	Valve Body Packing	1	MCR136102098
72	Socket Bolt	4	9091250
80	Case	1	MCR422601300
81	Rotor	1	MCR422601310
82	Retaining Ring	1	9047116
83	Brake Drum Key	1	MCR422601330
84	Vane	8	MCR137102014
85	Cylinder	1	MCR422601350
86	Front Plate	2	MCR426261K70
87	Bearing	2	9000603
88	Knock Pin	1	MCR130402007
89	Brake Drum	1	MCR422601390
90	Brake Piston	1	MCR422601400
91	O-Ring	1	MCR131111371
92	Brake Spring	1	MCR130802101
93	Brake Cover	1	MCR422601430
94	O-Ring	1	MCR131103051
95	Hex Socket Pipe Plug	1	MCR134901001
96	Socket Bolt	4	9091250
97	Exhaust Plate	1	MCR422601470
98	Silencer	1	MCR137402045
99	Exhaust Cover	1	MCR422601490
100	Socket Bolt	4	9091250

9.3 Air Connection and Pendant Parts

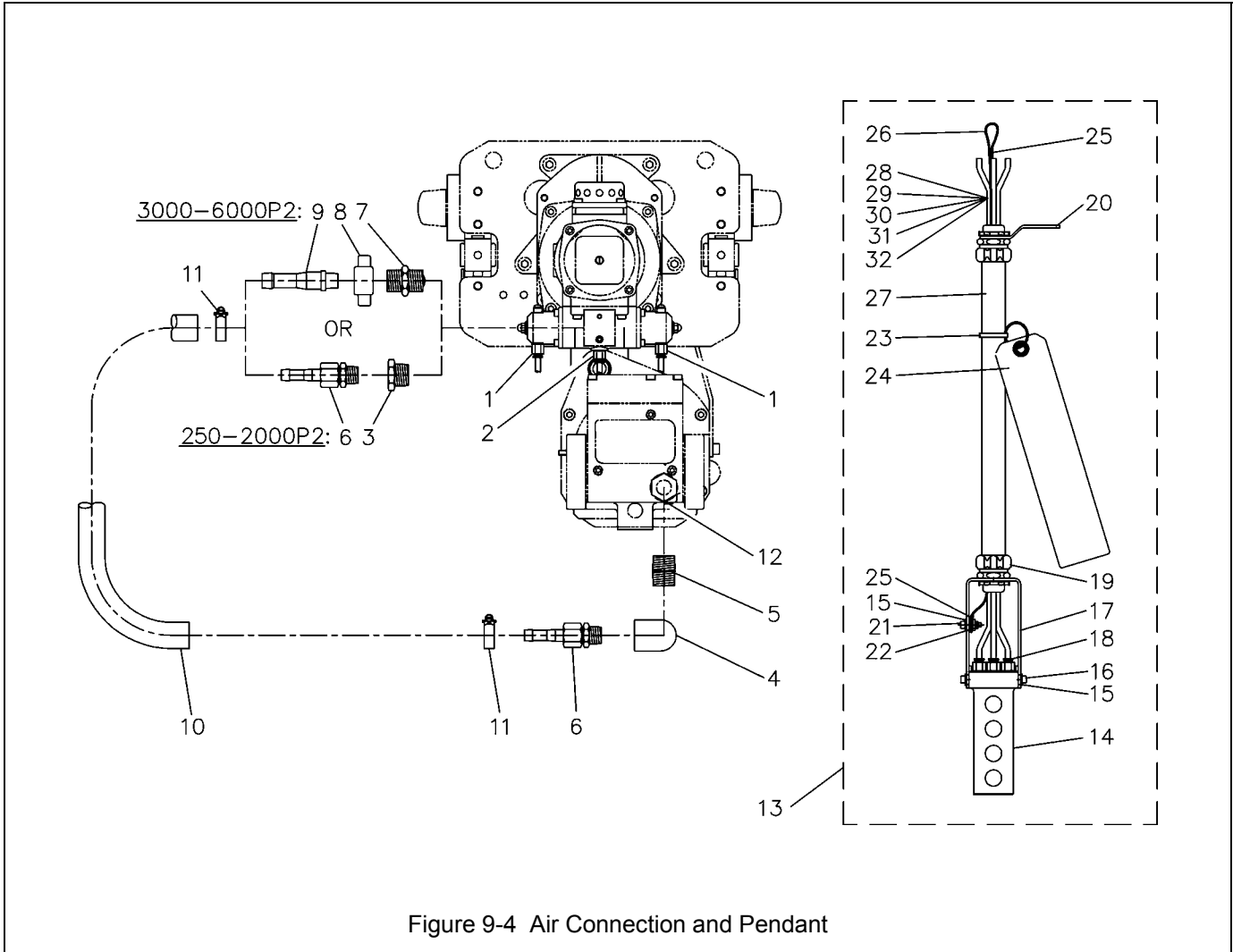


Figure 9-4 Air Connection and Pendant

9.3 Air Connection and Pendant Parts

Fig. No.	Description	Qty.	TCRM250P TCRM500P TCRM1000P2 TCRM1000P TCRM2000P2		TCRM3000 TCRM6000	
1	Tube Fitting	2	MCR135106105			
2	Tube Fitting	1	MCR135106101			
3	Pipe Adapter	1	MCR134706040			
4	Elbow	1	MCR135102004		MCR135101004	
5	Nipple	1			MCR135004004	
6	Hose Stem Assembly	2	TCR1350005HH			
		1			TCR420845DHH	
7	Nipple w/Screen	1			MCR41000136B	
8	Hose Nut	1			MCR135600101	
9	Hose Stem	1			MCR134800101	
10	Hose	1	MCR137202009		MCR137202017	
11	Hose Clamp	2	MCR137501021		MCR137501026	
12	Hex Socket Pipe Plug	1	MCR134902001			
13	Pendant Complete Set	1	60721			
14	Pendant Handle Complete	1	TCR420240VBC			
15	Washer	3	9012510			
16	Socket Bolt	2	9091226			
17	Pendant Bracket	1	60709			
18	Tube Fitting	5	MCR135106102			
19	Straight Fitting	2	9008105			
20	Under Cover	1	60710			
21	Socket Bolt	1	9091229			
22	Nut	1	9093417			
23	Cable Tie	1	9006602			
24	Warning Tag	1	WTAG7			
25	Cable Crimp	2	9013121			
26	Strain Relief Cable	FT	9013120			
27	Conduit	FT	9008303			
28	Tubing - Black	FT	9013114			
29	Tubing - Yellow	FT	9013138			
30	Tubing - Green	FT	9013139			
31	Tubing - Clear	FT	9013116			
32	Tubing - Red	FT	9013115			

NOTES

NOTES