
OWNER'S MANUAL

Mini-Cat AIR POWERED CHAIN HOIST AH SERIES

250 and 500 Lb. Capacity

Product Code and Serial Number

WARNING

This equipment should not be installed, operated or maintained by any person who has not read and understood all the contents of this manual. Failure to read and comply with the contents of this manual can result in serious bodily injury or death, and/or property damage.

HARRINGTON
HOISTS AND CRANES

10.0 Parts List

When ordering Parts, please provide the Hoist code number and serial number located on the Hoist nameplate (see [Figure 10.1](#) below).

Reminder: Per [Sections 1.1 and 3.14](#) to aid in ordering Parts and Product Support, record the Hoist code and serial number in the space provided on the cover of this manual.



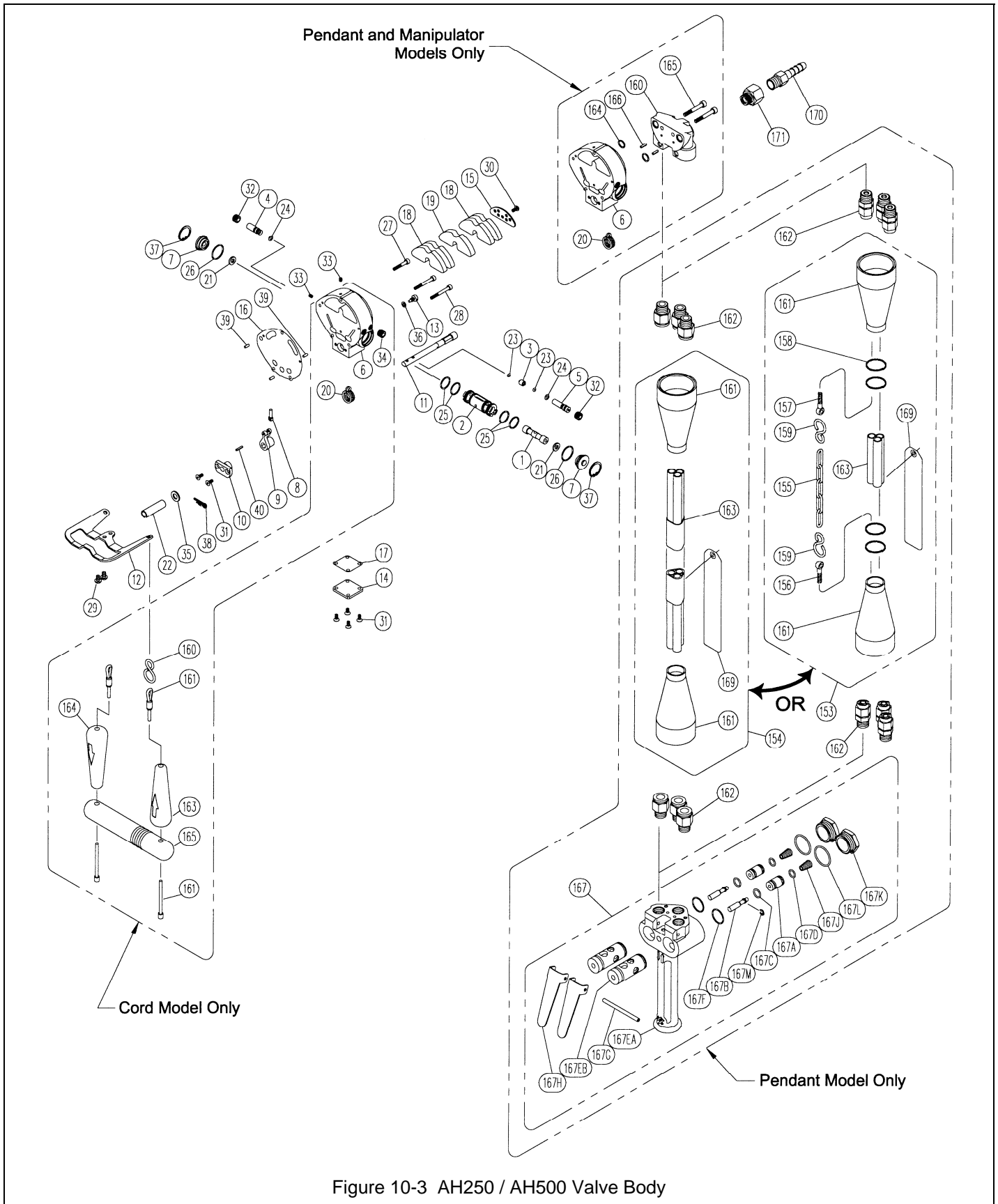
The parts list is arranged into the following sections:

Section	Page
10.1 Main Body.....	48
10.2 Valve Body.....	50
10.3 Manipulator Control.....	52
10.4 Optional Components.....	54

Figure Number	Name	Parts Per Hoist	Part Number
50	Motor Case	1	AH426205790
51	Rear Plate	1	AH426205180
52	Cylinder	1	AH426205160
53	Rotor	1	AH426205150
54	Front Plate	1	AH426205170
55	Vane	6	AH137102018
56	Knock Pin	1	AH130402049
57	Bearing	2	9001208
58	O-Ring	1	AH131103044
59	Socket Bolt	3	9091227
60	Retaining Ring	1	9047112
70	Brake Cover	1	AH426205410
71	Brake Piston	1	AH426205400
72	Brake Disk	1	AH426205430
73	Key	1	AH130408079
74	Brake Spring	6	AH130802207
75	O-Ring	1	AH131103047
76	O-Ring	1	AH131103042
77	Socket Bolt	2	9091231
78	Set Screw	1	AH132104005
90	Wheel Housing – Cord and Pendant Models	1	AH426205210
	Wheel Housing – Manipulator Model	1	AH426215210
91	Chain Guide	1	AH426205350
92	Chain Separator	1	AH136610025
93	Spacer	1	AH426205230
94	Bearing	1	9001207
95	Bearing	1	9001205
96	O-Ring	2	TCR131103004
97	O-Ring	1	AH131102006
98	Spring Pin	2	91481110
99	Socket Bolt	2	9091227
101	Load Chain	ft (m)	LCED125
110	Cage	1	AH426205240
111	Star Gear	3	AH426205250
112	Pin	3	AH426205260
113	Thrust Collar	6	AH426205270
114	Pinion	1	AH426205290
115	Load Sheave	1	AH426205300
116	Gear Case	1	AH426205310
117	Ring Gear	1	AH426205320

Figure Number	Name	Parts Per Hoist	Part Number
118	Lock Screw	1	AH426205890
119	Brake Plate	1	AH426205900
120	Bearing	2	9001206
121	Bearing	2	9001208
122	Needle Bearing	6	AH130170013
123	O-Ring	1	AH131103047
124	O-Ring	1	TCR131103004
125	Socket Bolt	3	9091227
126	Retaining Ring	1	9047125
127	Retaining Ring	3	9047112
128	Retaining Ring	2	9047224
129	Spring Pin	1	9148121
140	Top Hook Complete Set	1	AH42620557C
140A	Top Hook Assy.	1	AH420810PAA
	140B Hook Latch	1	AH420620P10
	140C Spring Pin	1	TCR130603024
	140D Latch Spring	1	TCR130802046
141	Top Yoke Pair	1	AH426205570
148	Hex Flat Head Machine Screw	2	AH132805018
142	Bottom Hook Complete Set – 250 lbs	1	AH42620593H
	Bottom Hook Complete Set – 500 lbs	1	AH42620593C
142A	Bottom Hook Assy.	1	AH42620593A
	142B Hook Latch	1	AH420620P10
	142C Spring Pin	1	TCR130603024
	142D Latch Spring	1	TCR130802046
143	Bottom Yoke Pair – 250 lbs	1	AH42620580H
	Bottom Yoke Pair – 500 lbs	1	AH426205800
144	Hook Thrust Plate Pair	1	AH426205910
145	Thrust Bearing	1	AH130121103
146	O-Ring	1	AH131103017
147	Socket Bolt	2	9091250
152	Spring Washer	2	AH131310006
149	Button Head Screw	1	AH131905010
150	Washer	1	9012510
170	Brand Name Plate	1	AH137309264
171	Name Plate – AH250	1	80064
	Name Plate – AH500		AH137309262
172	Logo Name Plate	1	80063
238	O-Ring – Manipulator Model Only	1	AH131101015

10.2 Valve Body



Valve Body

Figure Number	Name	Parts Per Hoist	Part Number
1	Main Spool	1	AH426205010
2	Valve Bush	1	AH426205780
3	Shuttle	1	AH426205870
4	Valve Seat R	1	AH426205830
5	Valve Seat L	1	AH426205840
7	Side Cover	2	AH426205080
8	Valve Pin	1	AH426205850
9	Limit Lever	1	AH426205140
10	Limit Guide	1	AH426205100
11	Limit Shaft	1	AH426205460
12	Chain Lever	1	AH426205110
13	Stopper	1	AH426205860
14	Under Cover	1	AH426205470
15	Exhaust Plate	1	AH426205810
16	Valve Packing	1	AH136102151
17	Under Packing	1	AH136102153
18	Silencer S	4	AH137402022
19	Silencer F	1	AH137402021
21	Bumper	2	AH136406025
22	Protector	1	AH426205880
23	O-Ring	2	AH131117004
24	O-Ring	2	AH131103003
25	O-Ring	4	AH131103014
26	O-Ring	2	AH131103016
27	Socket Bolt	1	9091209
28	Socket Bolt	2	9091210
29	Button Head Screw	2	AH131905008
30	Button Head Screw	1	AH131904008
31	Hex Flat Head Machine Screw	6	AH132804010
32	Set Screw	2	AH132110008
33	Set Screw	3	AH132104005
35	Washer	1	9012513
36	Washer	1	9012510
37	Retaining Ring	2	9047222
38	Hair Pin Cotter	1	AH130790008
39	Parallel Pin	3	AH130406017
40	Spring Pin	1	9148116
170	Hose Stem	1	AH134803040
171	Inlet Bushing w/Screen	1	AH134703050

Pendant and Manipulator Models Only:

Figure Number	Name	Parts Per Hoist	Part Number
6	Valve Body	1	AH426206060
20	Valve Spring	1	AH130802209
160	Manifold Block	1	AH426206941
164	O-Ring	2	TCR131103008
165	Socket Bolt	2	9091232
166	Spring Pin	2	9148123

Cord Model Only:

Figure Number	Name	Parts Per Hoist	Part Number
6	Valve Body	1	AH426205060
20	Valve Spring	1	AH130802208
34	Hex Socket Pipe Plug	1	TCR134902003
160	S-Type Wire	2	TCR130802081
161R	Red Cord (Down)	ft (m)	9013102
161W	White Cord (Up)	ft (m)	9013101
163	Grip W	1	AH136602625
164	Grip R	1	AH136602626
165	Handle	1	AH136602627

Pendant Model Only:

Figure Number	Name	Parts Per Hoist	Part Number
153	Pendant Hose Assy. (Three hoses)	1	60472
155	Cord Chain	ft (m)	ES625003
156	Eye Bolt	1	9044403
157	Eye Bolt	1	9044401
158	Split Ring	A/R	AH130802093
159	S-Type Wire	2	TCR130802081
161	Boot	2	AH136608250
163	Hose	3@ ft (m)	9013141
169	Warning Tag	1	WTAG7
162	Hose Fittings	6	AH137291310
154	Pendant Tube Assy. (Molded Tubing)	1	60471
161	Boot	2	AH136608250
163	Pendant Hose	ft (m)	AH1372400HS
169	Warning Tag	1	WTAG7
162	Tube Fitting	6	AH137288030
167	Pendant Valve CP	1	AH420215VBC
167A	Throttle Valve	2	AH420215VB0
167B	Push Rod	2	AH420215VC0
167C	O-Ring	2	AH131118012
167D	O-Ring	2	AH131117013
167E	Pendant Valve Body CP	1	AH420215VRB
167EA	Pendant Valve Body	1	AH420215VR0
167EB	Bushing	2	AH420214VF0
167F	O-Ring	2	AH131103016
167G	Spring Pin	2	9148176
167H	Pendant Valve Lever	2	AH420210VH0
167J	Valve Spring	2	AH130802030
167K	Pendant Valve Cap	2	AH420214V10
167L	O-Ring	2	TCR131103022
167M	E-Ring	2	AH130303004

10.3 Manipulator Control

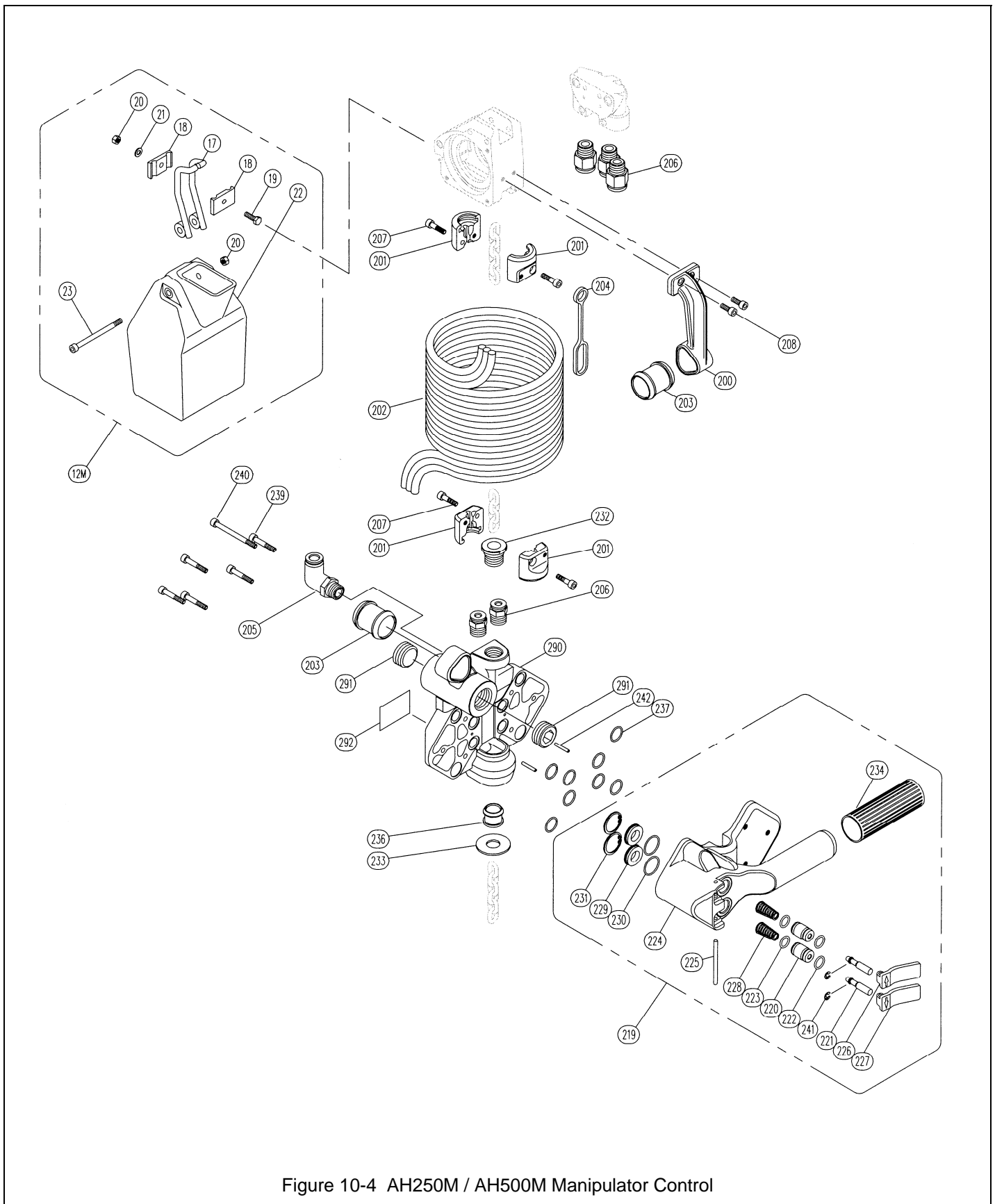


Figure 10-4 AH250M / AH500M Manipulator Control

Manipulator Control

Figure Number	Name	Parts Per Hoist	Part Number
12M	Chain Basket CP	1	AH42621592C
17	Bucket Arm Assembly (pair)	1 pr.	AH426205920
18	Arm Holder	2	AH426205820
19	Bolt	1	90933177
20	U-Nut	2	E2D853125
21	Washer	1	9012510
22	Chain Basket	1	AH139003026
23	Socket Bolt	1	9091239
200	Hose Arm	1	AH426215960
201	Hanger Half	4	AH426215B30
202	Coil Hose – Std. 6.5 ft lift	1	AH137202018
	Coil Hose – Opt. 13 ft lift	1	AH137202019
203	Rubber Bushing	2	AH136608252
204	Hose Support	1	AH136608253
205	Tube Fitting	1	AH137289310
206	Tube Fitting	5	AH137290310
207	Socket Bolt	4	9091229
208	Socket Bolt	2	9091227
219	Throttle Valve Complete	1	AH42621597D
220	Throttle Valve	2	AH420215VB0
221	Push Rod	2	AH420215VC0
222	O-Ring	2	AH131118012
223	O-Ring	2	AH131117013
224	Throttle Valve Body CP	1	AH42621597B
225	Lever Pin	1	AH130402048
226	Throttle Lever Up	1	AH420985UY0
227	Throttle Lever Down	1	AH420985UZ0
228	Valve Spring	2	AH130802221
229	Spring Seat	2	AH426215B00
230	O-Ring	2	AH131103016
231	Retaining Ring	2	9047224
234	Grip	1	AH136608140
241	Retaining Ring	2	AH130303004
232	Rotary Joint	1	AH426215B40
233	Hook Protector	1	AH136201200
236	Rubber Bushing	1	AH136608251
237	O-Ring	8	AH131103013
238	O-Ring	1	AH131101015
239	Button Head Screw	5	AH131905030

Figure Number	Name	Parts Per Hoist	Part Number
240	Button Head Screw	1	AH131905060
242	Spring Pin	2	9148123
290	Shield	1	AH426215B20
291	Hex Socket Pipe Plug	2	AH134901006
292	Manipulator Warning Tag	1	AH137304071

10.4 Optional Components

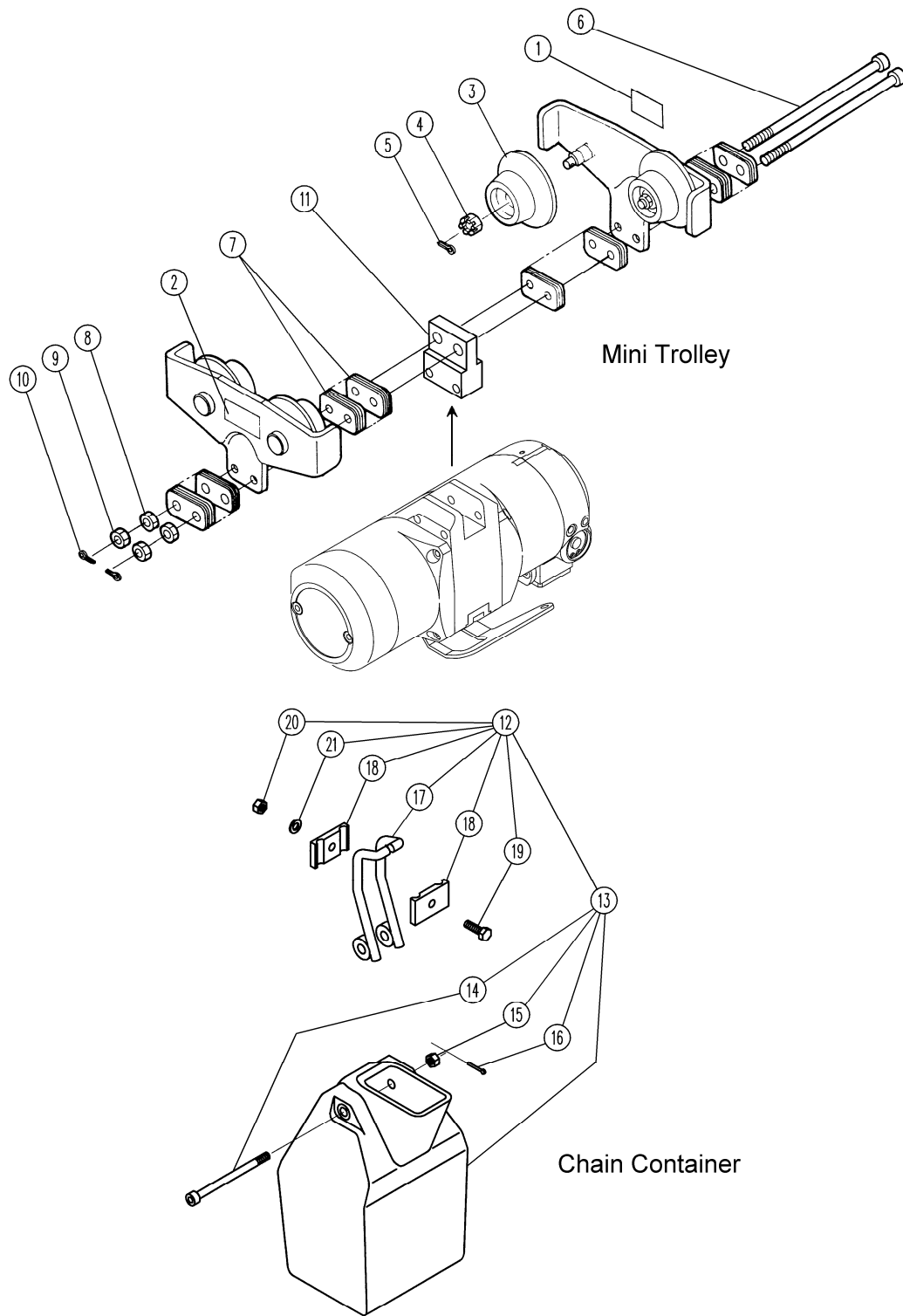


Figure 10-5 Optional Components

Mini Trolley:

Figure Number	Name	Parts Per Trolley	Part Number
1	Name Plate C	1	ET25801525
2	Name Plate B	1	ET25800525
3	Track Wheel Assembly	4	ET255102525
4	Slotted Nut	4	M2049010
5	Split Pin	4	9009411
6	Socket Bolt	2	ET25115525
7	Adjusting Spacer	32	ET25116525
8	Nut	2	9093424
9	U-Nut	2	ET25155525
10	Split Pin	2	9009411
11	Suspender	1	60456

Chain Containers for Cord and Pendant Models*:

Figure Number	Name	Parts Per Hoist	Part Number	
			10 ft Max. Lift	20 ft Max. Lift
12	Chain Container CP	1	K00037	K00038
13	Chain Container – For Cord and Pendant Models Only*	1	E2D1831125	E2D1835125
14	Socket Bolt BP	1	E2D854125	
15	U-Nut	1	E2D853125	
16	Split Pin	1	9009402	
17	Bucket Arm Assembly (pair)	1 pr.	AH426205920	
18	Arm Holder	2	AH426205820	
19	Bolt	1	90933177	
20	U-Nut	1	E2D853125	
21	Washer	1	9012510	

*See page 52 & 53 “Manipulator Control” for the Manipulator Chain Container.



www.harringtonhoists.com

Harrington Hoists, Inc.
401 West End Avenue
Manheim, PA 17545
Phone: 717-665-2000
Toll Free: 800-233-3010
Fax: 717-665-2861

Harrington Hoists - Western Division
2341 Pomona Rd. #103
Corona, CA 92880-6973
Phone: 951-279-7100
Toll Free: 800-317-7111
Fax: 951-279-7500

AHOM