

HARRINGTON

A KITO GROUP COMPANY



TIGER TRACK Jib and Gantry Cranes

Working Harder For You

In 1876, Edwin Harrington dramatically improved the self-sustaining hoist by introducing the worm-gear design. Since then, the company he founded has earned a proud reputation for product innovations and consistent quality that our customers count on to meet their diverse requirements.

Over the years, we have developed and grown by recognizing the value of our customers and responding to your needs. The daily mission of our organization is to provide you, the customer, with the highest quality in our products, service and support.

In addition to our superior products and expanded facilities, we offer a Sales and Customer Service team that is dedicated to serving you, a well qualified Engineering Department to support your technical needs and a full support staff who all know the importance of working together to provide solutions for your material handling projects.

We are working harder to be the supplier-of-choice for all of your hoist and crane applications.

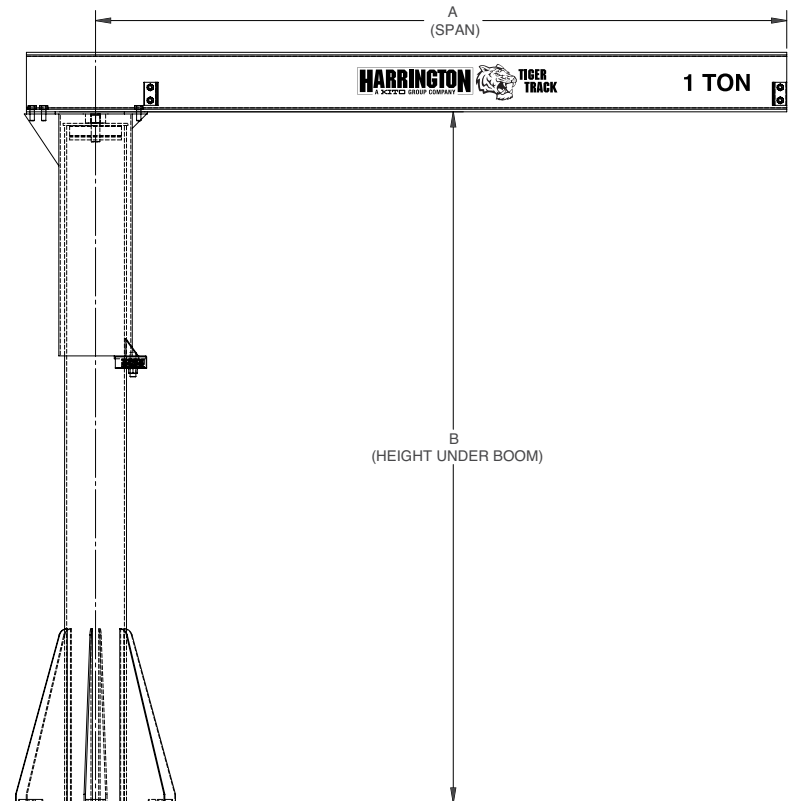
Table Of Contents

Light-Duty Base Plate Mounted Jib Cranes	4
Light-Duty Foundationless Jib Cranes	6
Heavy-Duty Pillar Base Mounted Jib Cranes	8
Motorized Jib Crane Standard Features	10
Standard Tiger Track Panels	10
Wall Bracket Tie Rod Jib Cranes	12
Wall Bracket Cantilever Jib Cranes	14
Mast Type Jib Cranes Full Cantilever or Drop Cantilever	16
Portable Rigid Gantry Cranes	18
Portable Adjustable Gantry Cranes	20
Complete Product Offering	23



Light-Duty Base Plate Mounted Jib Cranes

- Used for light assembly, welding or low use applications
- Capacities 1/8 to 1 Ton with spans up to 16' and height up to 14' under boom
- 360° rotation
- Mast (consisting of pipe, base plate and gusset plates), head and boom included
- Base plate is welded to mast
- No stress on building wall or columns
- Allows for maximum hook travel
- Removable and maintenance-free, cam-style roller bearings with bearing cover



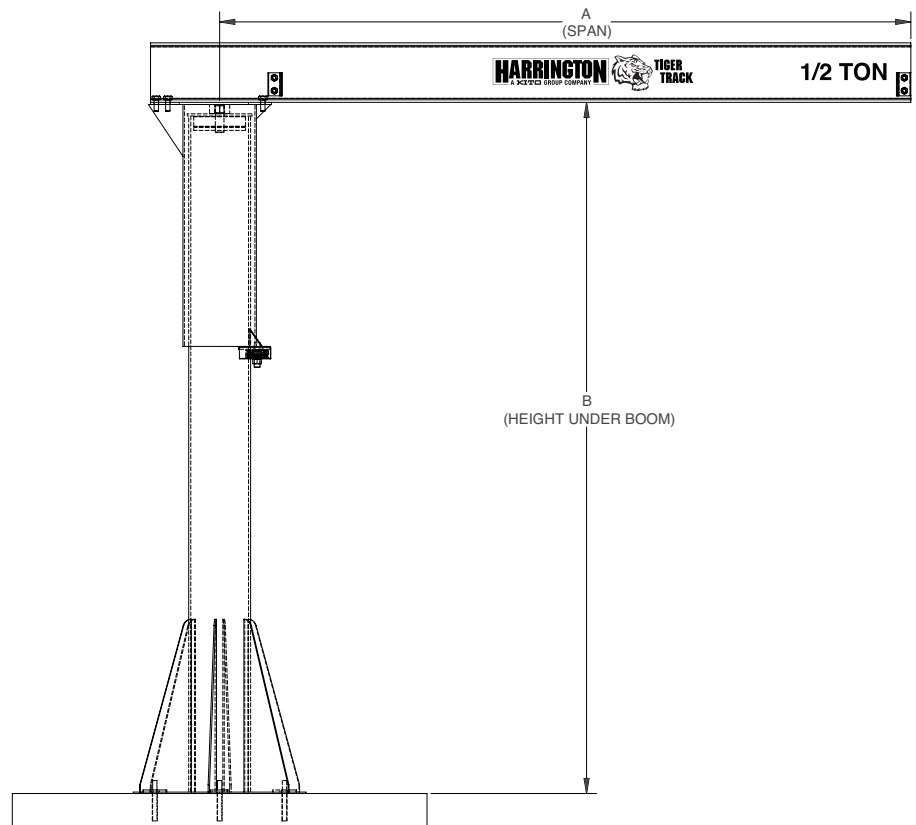
LIGHT-DUTY BASE PLATE MOUNTED JIB CRANES

Capacity	Dim B	A Span/Model Number*				
		8'	10'	12'	14'	16'
1/8 TON	8'	350-250-8-8	350-250-10-8	350-250-12-8	350-250-14-8	350-250-16-8
	10'	350-250-8-10	350-250-10-10	350-250-12-10	350-250-14-10	350-250-16-10
	12'	350-250-8-12	350-250-10-12	350-250-12-12	350-250-14-12	350-250-16-12
	14'	350-250-8-14	350-250-10-14	350-250-12-14	350-250-14-14	350-250-16-14
1/4 TON	8'	350-500-8-8	350-500-10-8	350-500-12-8	350-500-14-8	350-500-16-8
	10'	350-500-8-10	350-500-10-10	350-500-12-10	350-500-14-10	350-500-16-10
	12'	350-500-8-12	350-500-10-12	350-500-12-12	350-500-14-12	350-500-16-12
	14'	350-500-8-14	350-500-10-14	350-500-12-14	350-500-14-14	350-500-16-14
1/2 TON	8'	350-1000-8-8	350-1000-10-8	350-1000-12-8	350-1000-14-8	350-1000-16-8
	10'	350-1000-8-10	350-1000-10-10	350-1000-12-10	350-1000-14-10	350-1000-16-10
	12'	350-1000-8-12	350-1000-10-12	350-1000-12-12	350-1000-14-12	350-1000-16-12
	14'	350-1000-8-14	350-1000-10-14	350-1000-12-14	350-1000-14-14	350-1000-16-14
1 TON	8'	350-2000-8-8	350-2000-10-8			
	10'	350-2000-8-10	350-2000-10-10			
	12'	350-2000-8-12	350-2000-10-12			
	14'	350-2000-8-14	350-2000-10-14			

*For other models, capacities, spans, heights consult Customer Service.
 Dimensions are subject to change without notice.
 Specify Capacity and Span with Model Number when ordering.

Light-Duty Foundationless Jib Cranes

- Same design as our light-duty base plate mounted jib crane with a thicker modified base plate
- Adhesive or wedge anchoring
- Mounts to existing floor, see page 7 for more information
- No costly poured foundation requirement will save time and money



LIGHT-DUTY FOUNDATIONLESS JIB CRANES

Capacity	Dim B	A Span/Model Number*				
		8'	10'	12'	14'	16'
1/8 TON	8'	350F-250-8-8	350F-250-10-8	350F-250-12-8	350F-250-14-8	350F-250-16-8
	10'	350F-250-8-10	350F-250-10-10	350F-250-12-10	350F-250-14-10	350F-250-16-10
	12'	350F-250-8-12	350F-250-10-12	350F-250-12-12	350F-250-14-12	350F-250-16-12
1/4 TON	8'	350F-500-8-8	350F-500-10-8	350F-500-12-8	350F-500-14-8	350F-500-16-8
	10'	350F-500-8-10	350F-500-10-10	350F-500-12-10	350F-500-14-10	350F-500-16-10
	12'	350F-500-8-12	350F-500-10-12	350F-500-12-12	350F-500-14-12	350F-500-16-12
1/2 TON	8'	350F-1000-8-8	350F-1000-10-8	350F-1000-12-8	350F-1000-14-8	350F-1000-16-8
	10'	350F-1000-8-10	350F-1000-10-10	350F-1000-12-10	350F-1000-14-10	350F-1000-16-10
	12'	350F-1000-8-12	350F-1000-10-12	350F-1000-12-12	350F-1000-14-12	350F-1000-16-12
1 TON	8'	350F-2000-8-8	350F-2000-10-8			
	10'	350F-2000-8-10	350F-2000-10-10			
	12'	350F-2000-8-12	350F-2000-10-12			

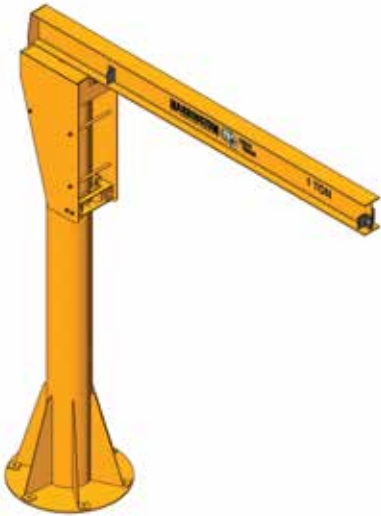
*For other models, capacities, spans, heights consult Customer Service.
 Dimensions are subject to change without notice.
 Specify Capacity and Span with Model Number when ordering.

Light Duty Foundationless Jib Cranes must meet the following requirements:

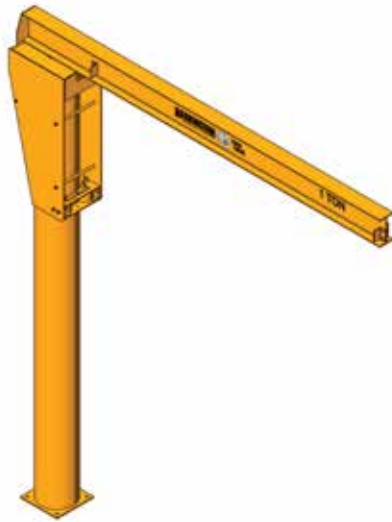
- Existing concrete to be minimum 6” thick reinforced, 3000 psi, with a soil content of 3,000 psf.
- Concrete in and around mounting site must be consistent and free of any cracks or wearing within the mounting area.
- Customer is responsible for determining adequacy of the existing concrete floor prior to mounting.
- If mounting requirements are not met refer to manufacturers recommended foundation print.
- Anchors must have a minimum 4-3/4” embedment.
- Anchor must have a minimum of two threads above nut after installation.
- Spread mechanical grout under base plate for plumbing of mast.
- Installer responsible for providing proper anchors for install, based on diameter and jib crane reactions.
- Jib mounting site must be free of any cracks, joints, seams or walls within the mounting area.
- Approval signature required for foundationless jib crane purchase.
- Jib anchors must be inspected once a month for proper tension.

Heavy-Duty Pillar Base Mounted Jib Cranes

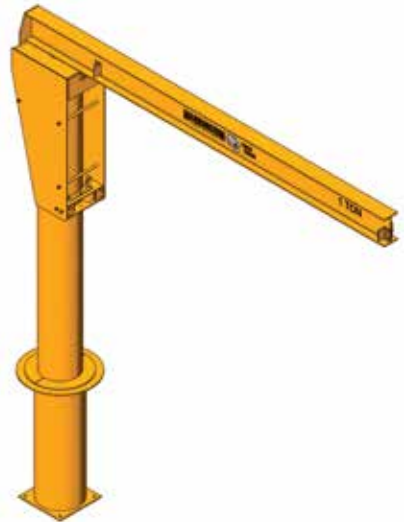
- Capacities 1/8 to 15 Ton with spans up to 40' and height under boom up to 40'
- Available in pillar base plate mounted, foundation mounted, pillar sleeve mounted and foundationless mounted
- 360° rotation
- Mast (consisting of pipe, base plate and gusset plates), head and boom included
- Head assembly equipped with heavy-duty reinforcing side plates
- Standard bolt-on trolley end stops
- Equipped with heavy-duty thrust bearing and pressure fitted housing in boom for longer life and effortless rotation
- All capacities equipped with roller cage assembly with boom tip height adjustment



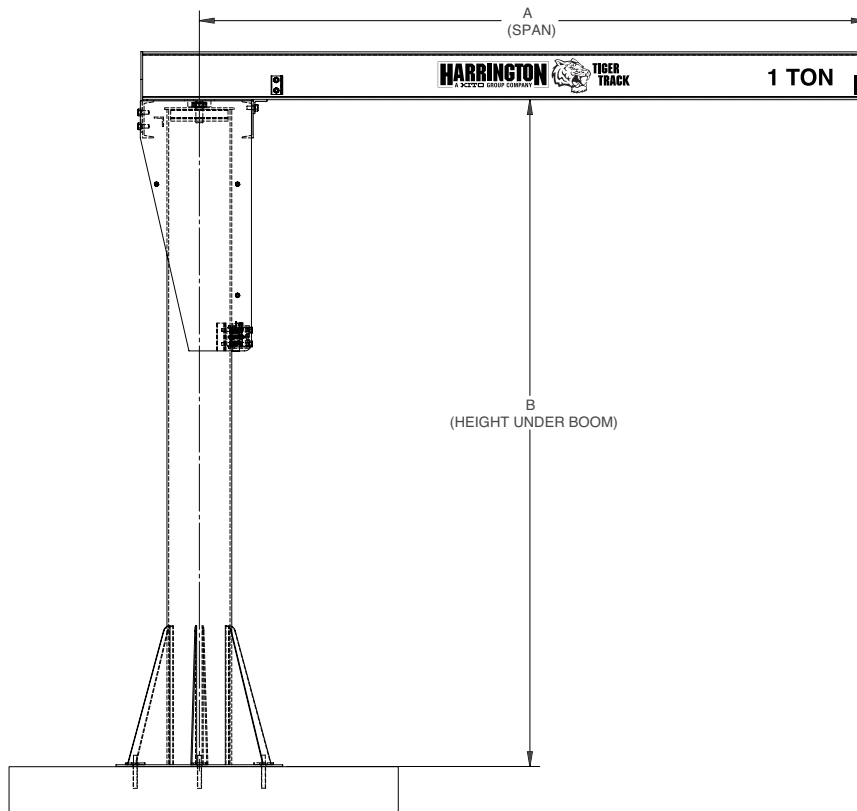
Pillar Base Plate Mounted



Foundation Mounted



Pillar Sleeve Mounted



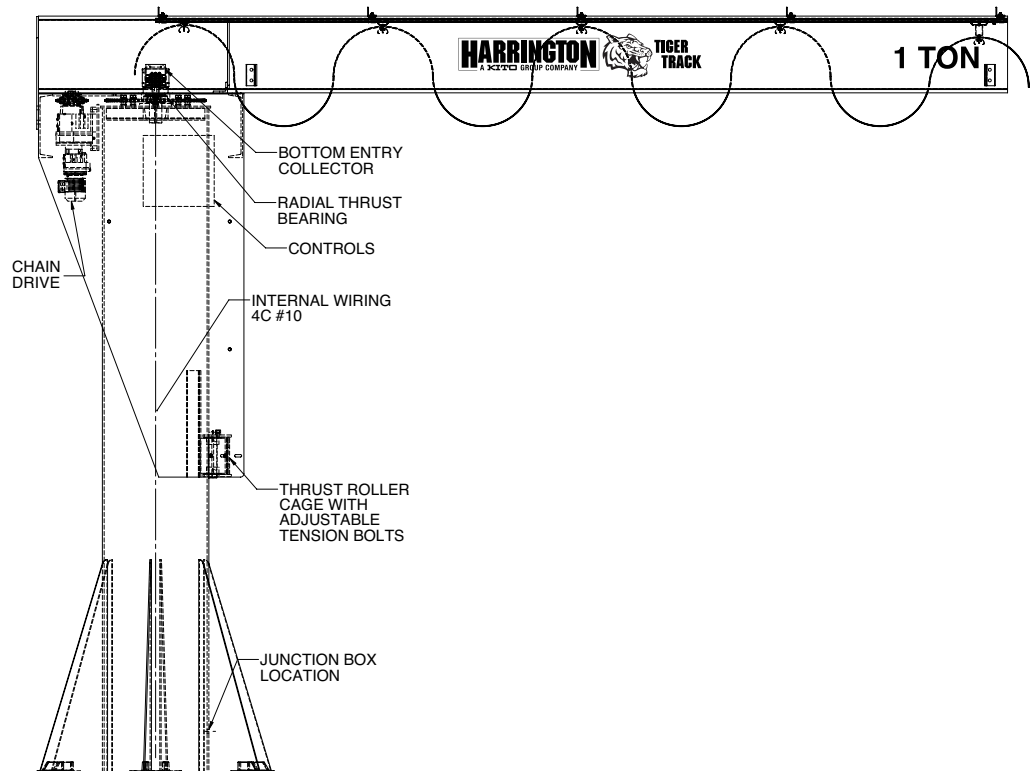
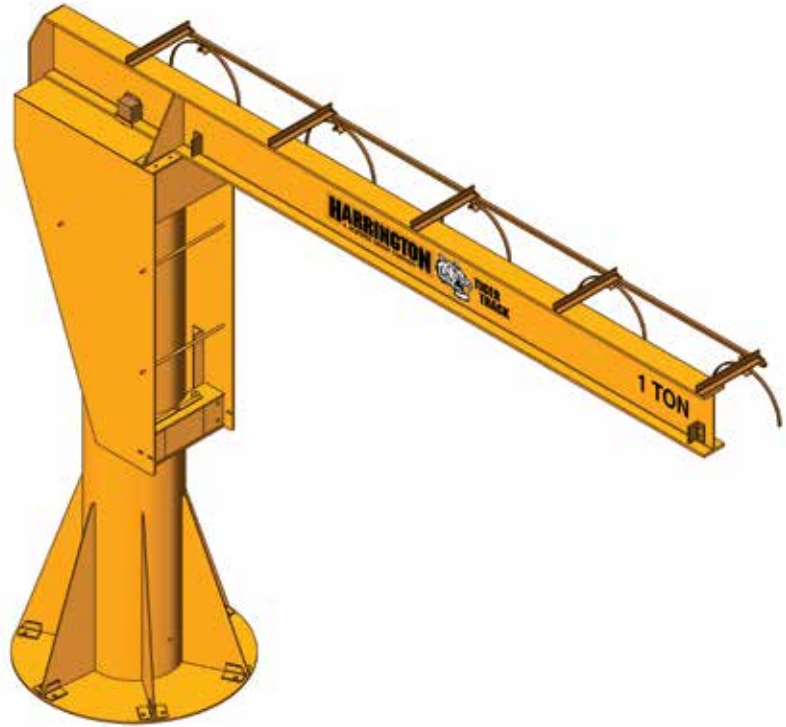
HEAVY-DUTY PILLAR BASE MOUNTED JIB CRANES

Capacity	Dim B	A Span/Model Number*						
		8'	10'	12'	14'	16'	18'	20'
1/4 TON	8'	351-500-8-8	351-500-10-8	351-500-12-8	351-500-14-8	351-500-16-8	351-500-18-8	351-500-20-8
	10'	351-500-8-10	351-500-10-10	351-500-12-10	351-500-14-10	351-500-16-10	351-500-18-10	351-500-20-10
	12'	351-500-8-12	351-500-10-12	351-500-12-12	351-500-14-12	351-500-16-12	351-500-18-12	351-500-20-12
	14'	351-500-8-14	351-500-10-14	351-500-12-14	351-500-14-14	351-500-16-14	351-500-18-14	351-500-20-14
	16'	351-500-8-16	351-500-10-16	351-500-12-16	351-500-14-16	351-500-16-16	351-500-18-16	351-500-20-16
	18'	351-500-8-18	351-500-10-18	351-500-12-18	351-500-14-18	351-500-16-18	351-500-18-18	351-500-20-18
	20'	351-500-8-20	351-500-10-20	351-500-12-20	351-500-14-20	351-500-16-20	351-500-18-20	351-500-20-20
1/2 TON	8'	351-1000-8-8	351-1000-10-8	351-1000-12-8	351-1000-14-8	351-1000-16-8	351-1000-18-8	351-1000-20-8
	10'	351-1000-8-10	351-1000-10-10	351-1000-12-10	351-1000-14-10	351-1000-16-10	351-1000-18-10	351-1000-20-10
	12'	351-1000-8-12	351-1000-10-12	351-1000-12-12	351-1000-14-12	351-1000-16-12	351-1000-18-12	351-1000-20-12
	14'	351-1000-8-14	351-1000-10-14	351-1000-12-14	351-1000-14-14	351-1000-16-14	351-1000-18-14	351-1000-20-14
	16'	351-1000-8-16	351-1000-10-16	351-1000-12-16	351-1000-14-16	351-1000-16-16	351-1000-18-16	351-1000-20-16
	18'	351-1000-8-18	351-1000-10-18	351-1000-12-18	351-1000-14-18	351-1000-16-18	351-1000-18-18	351-1000-20-18
	20'	351-1000-8-20	351-1000-10-20	351-1000-12-20	351-1000-14-20	351-1000-16-20	351-1000-18-20	351-1000-20-20
1 TON	8'	351-2000-8-8	351-2000-10-8	351-2000-12-8	351-2000-14-8	351-2000-16-8	351-2000-18-8	351-2000-20-8
	10'	351-2000-8-10	351-2000-10-10	351-2000-12-10	351-2000-14-10	351-2000-16-10	351-2000-18-10	351-2000-20-10
	12'	351-2000-8-12	351-2000-10-12	351-2000-12-12	351-2000-14-12	351-2000-16-12	351-2000-18-12	351-2000-20-12
	14'	351-2000-8-14	351-2000-10-14	351-2000-12-14	351-2000-14-14	351-2000-16-14	351-2000-18-14	351-2000-20-14
	16'	351-2000-8-16	351-2000-10-16	351-2000-12-16	351-2000-14-16	351-2000-16-16	351-2000-18-16	351-2000-20-16
	18'	351-2000-8-18	351-2000-10-18	351-2000-12-18	351-2000-14-18	351-2000-16-18	351-2000-18-18	351-2000-20-18
	20'	351-2000-8-20	351-2000-10-20	351-2000-12-20	351-2000-14-20	351-2000-16-20	351-2000-18-20	351-2000-20-20
2 TON	8'	351-4000-8-8	351-4000-10-8	351-4000-12-8	351-4000-14-8	351-4000-16-8	351-4000-18-8	351-4000-20-8
	10'	351-4000-8-10	351-4000-10-10	351-4000-12-10	351-4000-14-10	351-4000-16-10	351-4000-18-10	351-4000-20-10
	12'	351-4000-8-12	351-4000-10-12	351-4000-12-12	351-4000-14-12	351-4000-16-12	351-4000-18-12	351-4000-20-12
	14'	351-4000-8-14	351-4000-10-14	351-4000-12-14	351-4000-14-14	351-4000-16-14	351-4000-18-14	351-4000-20-14
	16'	351-4000-8-16	351-4000-10-16	351-4000-12-16	351-4000-14-16	351-4000-16-16	351-4000-18-16	351-4000-20-16
	18'	351-4000-8-18	351-4000-10-18	351-4000-12-18	351-4000-14-18	351-4000-16-18	351-4000-18-18	351-4000-20-18
	20'	351-4000-8-20	351-4000-10-20	351-4000-12-20	351-4000-14-20	351-4000-16-20	351-4000-18-20	351-4000-20-20
3 TON	8'	351-6000-8-8	351-6000-10-8	351-6000-12-8	351-6000-14-8	351-6000-16-8	351-6000-18-8	351-6000-20-8
	10'	351-6000-8-10	351-6000-10-10	351-6000-12-10	351-6000-14-10	351-6000-16-10	351-6000-18-10	351-6000-20-10
	12'	351-6000-8-12	351-6000-10-12	351-6000-12-12	351-6000-14-12	351-6000-16-12	351-6000-18-12	351-6000-20-12
	14'	351-6000-8-14	351-6000-10-14	351-6000-12-14	351-6000-14-14	351-6000-16-14	351-6000-18-14	351-6000-20-14
	16'	351-6000-8-16	351-6000-10-16	351-6000-12-16	351-6000-14-16	351-6000-16-16	351-6000-18-16	351-6000-20-16
	18'	351-6000-8-18	351-6000-10-18	351-6000-12-18	351-6000-14-18	351-6000-16-18	351-6000-18-18	351-6000-20-18
	20'	351-6000-8-20	351-6000-10-20	351-6000-12-20	351-6000-14-20	351-6000-16-20	351-6000-18-20	351-6000-20-20
5 TON	8'	351-10000-8-8	351-10000-10-8	351-10000-12-8	351-10000-14-8	351-10000-16-8	351-10000-18-8	351-10000-20-8
	10'	351-10000-8-10	351-10000-10-10	351-10000-12-10	351-10000-14-10	351-10000-16-10	351-10000-18-10	351-10000-20-10
	12'	351-10000-8-12	351-10000-10-12	351-10000-12-12	351-10000-14-12	351-10000-16-12	351-10000-18-12	351-10000-20-12
	14'	351-10000-8-14	351-10000-10-14	351-10000-12-14	351-10000-14-14	351-10000-16-14	351-10000-18-14	351-10000-20-14
	16'	351-10000-8-16	351-10000-10-16	351-10000-12-16	351-10000-14-16	351-10000-16-16	351-10000-18-16	351-10000-20-16
	18'	351-10000-8-18	351-10000-10-18	351-10000-12-18	351-10000-14-18	351-10000-16-18	351-10000-18-18	351-10000-20-18
	20'	351-10000-8-20	351-10000-10-20	351-10000-12-20	351-10000-14-20	351-10000-16-20	351-10000-18-20	351-10000-20-20

*For other models, capacities, spans, heights consult Customer Service.
 Dimensions are subject to change without notice.
 Specify Capacity and Span with Model Number when ordering.

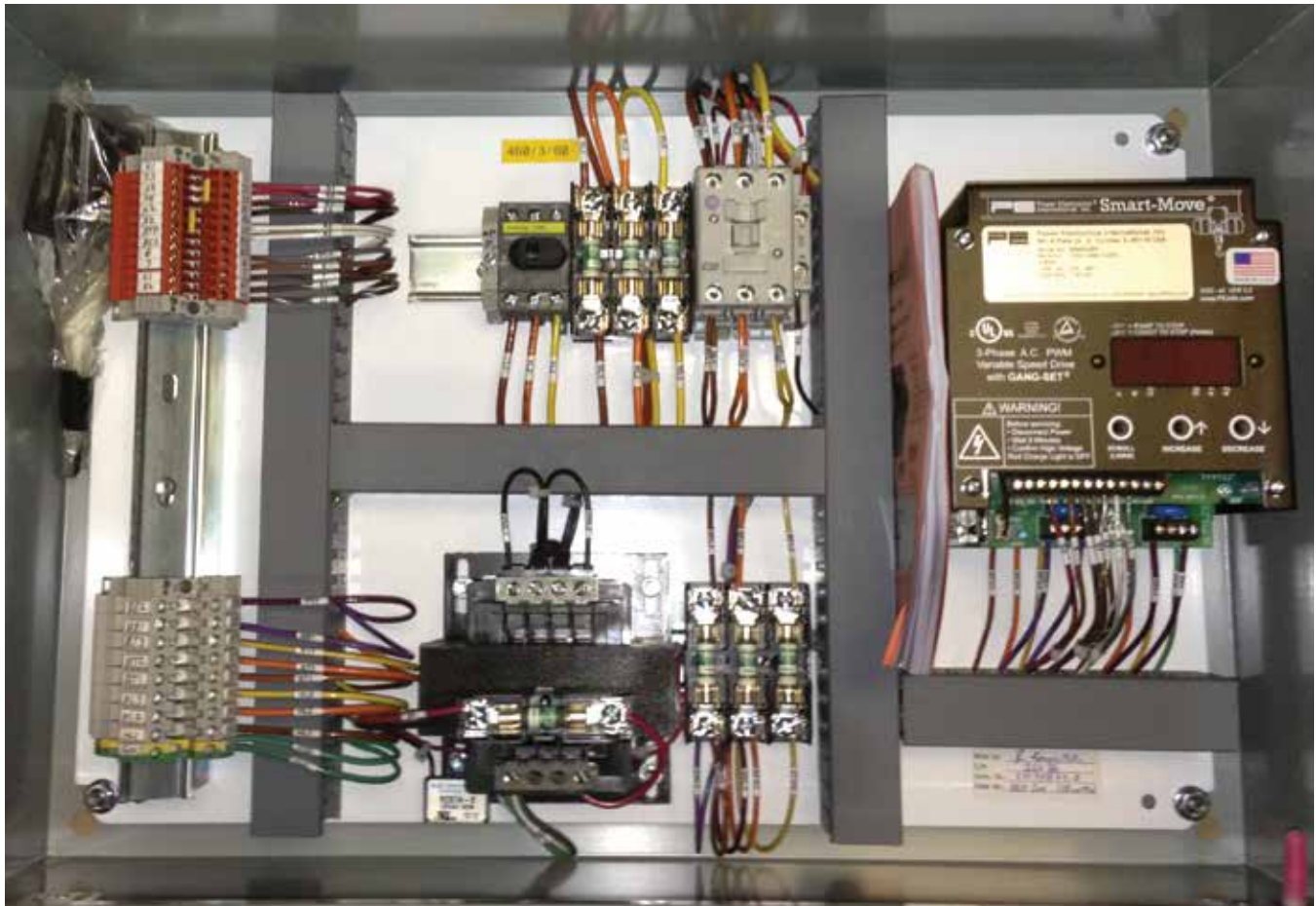
Motorized Jib Crane Standard Features

- VFD control standard on all motorized jib cranes
- All motorized are standard with 'c' track flat cable festooning
- All motorized cranes are chain driven
- Gear motor is tucked away neatly under the jib head assembly
- Standard Motorized crane package includes: Drive motor with reducer, NEMA 4 panel, collector assembly and flat cable festooning
- Outdoor packages available
- For models, capacities, spans and heights consult Customer Service



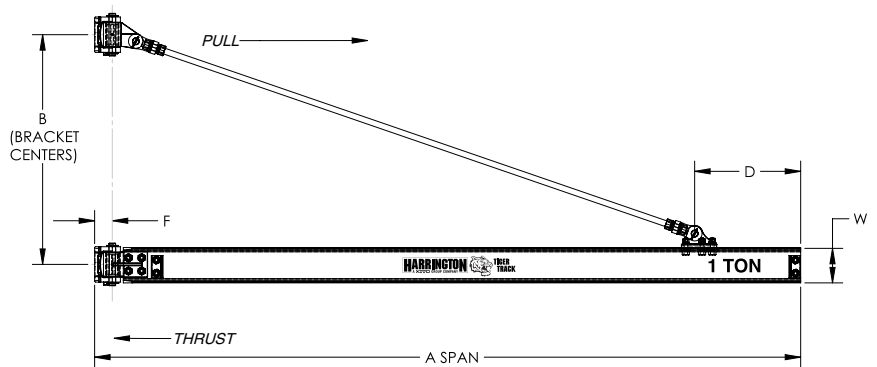
Standard Tiger Track Panels Include:

- NEMA 4 gasketed panel is standard
- Through-the-door disconnect
- Mainline contactor
- System protection
- Motor thermal overload protection
- PE VFD unit for VFD control jibs
- High/Low voltage terminal strip
- 115V control



Wall Bracket Tie Rod Jib Cranes

- Mounting on a column or wall of adequate strength
- 180 degree + rotation
- Heavy-duty fittings made with roller bearings and zerk fitting for easy field lubrication
- Less beam deflection
- Smaller beam size
- Easy to rotate in larger applications
- Capacities 1/4 to 12 Ton
- Up to 35' span on tie rod style
- Motorized rotation available



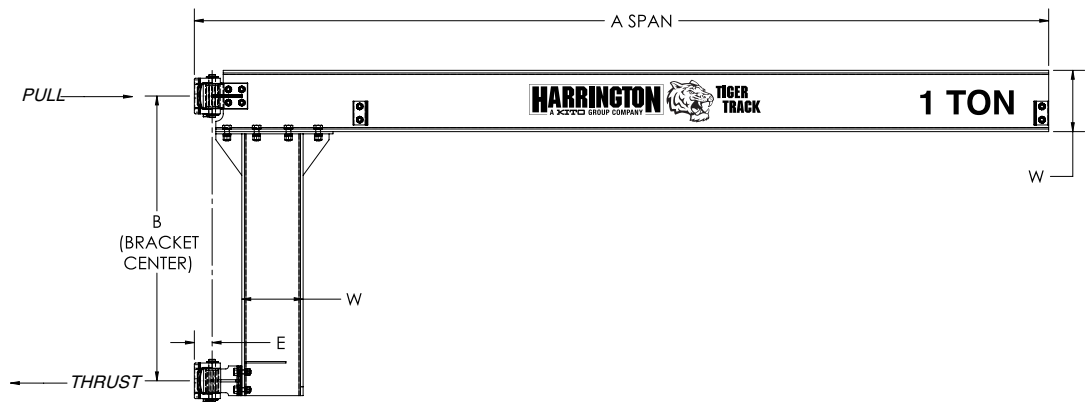
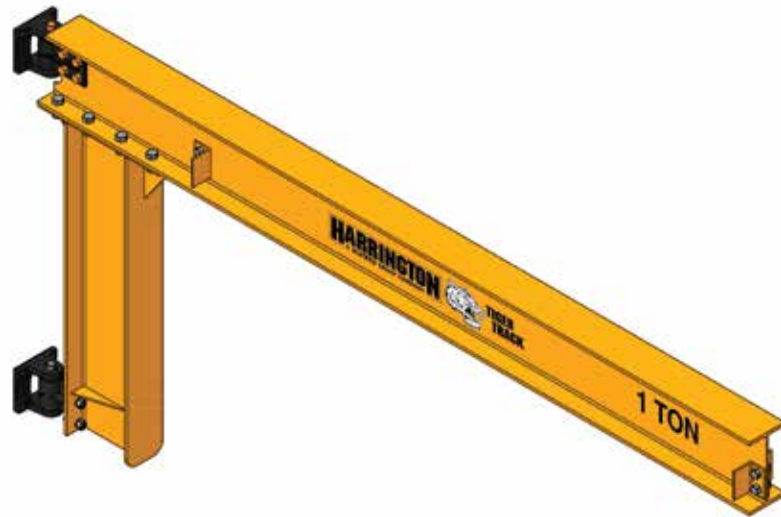
WALL BRACKET TIE ROD JIB CRANES

Capacity	A Span	Model Number	B	D	F	W	Tie Rod Diameter	Thrust & Pull
1/4 TON	8'	311-500-8	2'-9"	1'-3"	3"	6"	2 @ 1"	1780#
	10'	311-500-10	3'-0"	1'-6"	3"	6"	2 @ 1"	2060#
	12'	311-500-12	3'-9"	1'-9"	3"	6"	2 @ 1"	2000#
	14'	311-500-14	4'-0"	2'-0"	3"	6"	2 @ 1"	2200#
	16'	311-500-16	5'-0"	2'-0"	3"	6"	2 @ 1"	2020#
	18'	311-500-18	5'-6"	2'-3"	3"	6"	2 @ 1"	2070#
	20'	311-500-20	6'-0"	2'-6"	3"	6"	2 @ 1"	2120#
1/2 TON	8'	311-1000-8	2'-9"	1'-3"	3"	6"	2 @ 1"	3550#
	10'	311-1000-10	3'-0"	1'-6"	3"	6"	2 @ 1"	4120#
	12'	311-1000-12	3'-9"	1'-9"	3"	6"	2 @ 1"	3990#
	14'	311-1000-14	4'-6"	2'-0"	3"	6"	2 @ 1"	3900#
	16'	311-1000-16	5'-6"	2'-0"	3"	6"	2 @ 1"	3670#
	18'	311-1000-18	6'-0"	2'-3"	3"	8"	2 @ 1"	3800#
	20'	311-1000-20	6'-6"	2'-6"	3"	8"	2 @ 1"	3900#
1 TON	8'	311-2000-8	2'-9"	1'-3"	3"	6"	2 @ 1"	7100#
	10'	311-2000-10	3'-3"	1'-6"	3"	6"	2 @ 1"	7600#
	12'	311-2000-12	4'-0"	1'-9"	3"	6"	2 @ 1"	7480#
	14'	311-2000-14	4'-9"	2'-3"	3"	8"	2 @ 1"	7390#
	16'	311-2000-16	5'-6"	2'-6"	3"	8"	2 @ 1"	7330#
	18'	311-2000-18	6'-3"	2'-6"	3"	8"	2 @ 1"	7280#
	20'	311-2000-20	7'-0"	3'-0"	3"	10"	2 @ 1"	7250#
2 TON	8'	311-4000-8	2'-9"	1'-3"	4"	8"	2 @ 1 1/4"	14200#
	10'	311-4000-10	3'-3"	1'-6"	4"	8"	2 @ 1 1/4"	15200#
	12'	311-4000-12	4'-0"	1'-9"	4"	10"	2 @ 1 1/4"	15000#
	14'	311-4000-14	4'-9"	2'-0"	4"	10"	2 @ 1 1/4"	14800#
	16'	311-4000-16	5'-6"	2'-3"	4"	10"	2 @ 1 1/4"	14700#
	18'	311-4000-18	6'-3"	2'-6"	4"	12"	2 @ 1 1/4"	14600#
	20'	311-4000-20	7'-0"	3'-0"	4"	12"	2 @ 1 1/4"	14500#
3 TON	8'	311-6000-8	2'-9"	1'-3"	4-1/2"	12"	2 @ 1 1/2"	21300#
	10'	311-6000-10	3'-3"	1'-6"	4-1/2"	12"	2 @ 1 1/2"	22800#
	12'	311-6000-12	4'-0"	1'-9"	4-1/2"	12"	2 @ 1 1/2"	22500#
	14'	311-6000-14	4'-9"	2'-0"	4-1/2"	12"	2 @ 1 1/2"	22200#
	16'	311-6000-16	5'-6"	2'-3"	4-1/2"	12"	2 @ 1 1/2"	24900#
	18'	311-6000-18	6'-3"	2'-6"	4-1/2"	12"	2 @ 1 1/2"	21900#
	20'	311-6000-20	7'-0"	3'-0"	4-1/2"	12"	2 @ 1 1/2"	21800#

For other models, capacities, spans, heights consult Customer Service.
 Dimensions are subject to change without notice.
 Specify Capacity and Span with Model Number when ordering.

Wall Bracket Cantilever Jib Cranes

- Mounting on a column or wall of adequate strength
- 180 degree + rotation
- Heavy-duty fittings made with roller bearings and zerk fitting for easy field lubrication
- Designed for maximum headroom
- Capacities 1/4 to 12 Ton
- Up to 30' span for cantilever style
- Motorized rotation available



WALL BRACKET CANTILEVER JIB CRANES

Capacity	A Span	Model Number	B	E	W	Thrust & Pull
1/4 TON	8'	313-500-8	4'-0	3"	8"	1300#
	10'	313-500-10	4'-0	3"	8"	1575#
	12'	313-500-12	4'-0	3"	8"	1900#
	14'	313-500-14	4'-0	3"	8"	2225#
	16'	313-500-16	4'-0	3"	10"	2600#
	18'	313-500-18	4'-0	3"	10"	2900#
	20'	313-500-20	4'-0	3"	10"	3300#
1/2 TON	8'	313-1000-8	4'-0"	3"	8"	2600#
	10'	313-1000-10	4'-0"	3"	8"	3150#
	12'	313-1000-12	4'-0"	3"	8"	3850#
	14'	313-1000-14	4'-0"	3"	10"	4500#
	16'	313-1000-16	4'-0"	3"	10"	5150#
	18'	313-1000-18	5'-0"	4"	12"	4700#
	20'	313-1000-20	5'-0"	4"	12"	5200#
1 TON	8'	313-2000-8	4'-0"	3"	8"	5000#
	10'	313-2000-10	4'-0"	3"	10"	6250#
	12'	313-2000-12	4'-0"	3"	10"	7600#
	14'	313-2000-14	5'-0"	4"	12"	7300#
	16'	313-2000-16	5'-0"	4"	12"	8200#
	18'	313-2000-18	6'-0"	4-1/2"	16"	7750#
	20'	313-2000-20	6'-0"	4-1/2"	16"	8600#
2 TON	8'	313-4000-8	5'-0"	4"	12"	8000#
	10'	313-4000-10	5'-0"	4"	12"	10500#
	12'	313-4000-12	5'-0"	4"	12"	12500#
	14'	313-4000-14	6'-0"	4-1/2"	16"	13000#
	16'	313-4000-16	6'-0"	4-1/2"	18"	14500#
	18'	313-4000-18	6'-0"	4-1/2"	18"	16000#
	20'	313-4000-20	6'-0"	4-1/2"	18"	17500#
3 TON	8'	313-6000-8	6'-0"	4-1/2"	15"	9900#
	10'	313-6000-10	6'-0"	4-1/2"	15"	13000#
	12'	313-6000-12	6'-0"	4-1/2"	15"	14500#
	14'	313-6000-14	6'-0"	4-1/2"	18"	18000#
	16'	313-6000-16	6'-0"	4-1/2"	18"	21000#
	18'	313-6000-18	6'-0"	4-1/2"	21"	23000#
	20'	313-6000-20	6'-0"	4-1/2"	21"	25500#

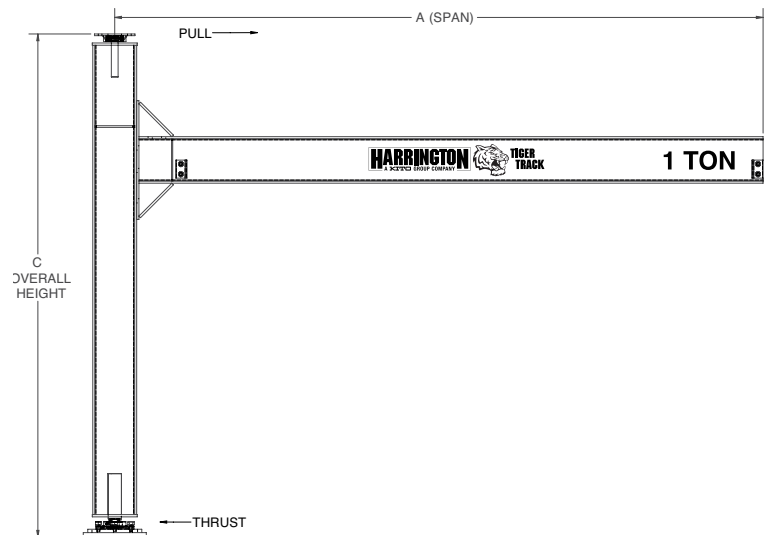
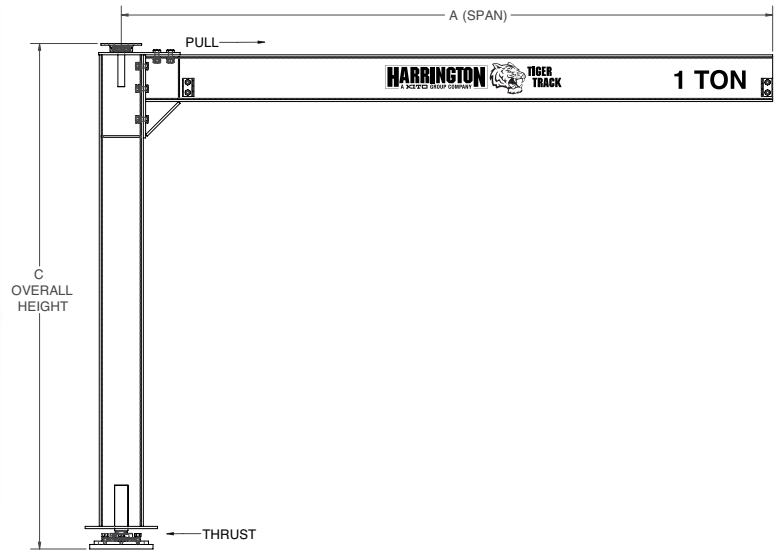
For other models, capacities, spans, heights consult Customer Service.

Dimensions are subject to change without notice.

Specify Capacity and Span with Model Number when ordering.

Mast Type Jib Cranes Full Cantilever or Drop Cantilever

- Full Cantilever allows for maximum amount of lift
- Drop Cantilever allows for specific boom placement
- 360 degree rotation
- No foundation required
- Perfect solution for overhead crane work cell handling
- Easy rotation even on heavy loads
- Low force exertion on supporting structure
- Maximizes trolley travel



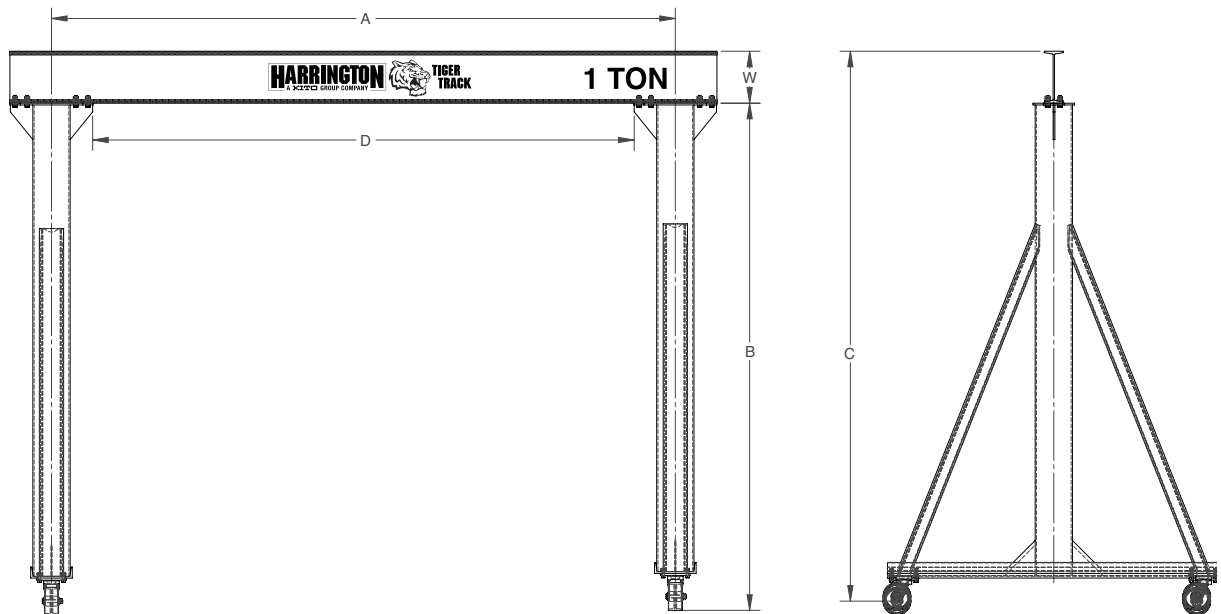
MAST TYPE JIB CRANES — FULL CANTILEVER OR DROP CANTILEVER

Capacity	Dim C	A Span/Model Number*						
		8'	10'	12'	14'	16'	18'	20'
1/4 TON	10'	314-500-8-10	314-500-10-10	314-500-12-10	314-500-14-10	314-500-16-10	314-500-18-10	314-500-20-10
	12'	314-500-8-12	314-500-10-12	314-500-12-12	314-500-14-12	314-500-16-12	314-500-18-12	314-500-20-12
	14'	314-500-8-14	314-500-10-14	314-500-12-14	314-500-14-14	314-500-16-14	314-500-18-14	314-500-20-14
	16'	314-500-8-16	314-500-10-16	314-500-12-16	314-500-14-16	314-500-16-16	314-500-18-16	314-500-20-16
	18'	314-500-8-18	314-500-10-18	314-500-12-18	314-500-14-18	314-500-16-18	314-500-18-18	314-500-20-18
	20'	314-500-8-20	314-500-10-20	314-500-12-20	314-500-14-20	314-500-16-20	314-500-18-20	314-500-20-20
1/2 TON	10'	314-1000-8-10	314-1000-10-10	314-1000-12-10	314-1000-14-10	314-1000-16-10	314-1000-18-10	314-1000-20-10
	12'	314-1000-8-12	314-1000-10-12	314-1000-12-12	314-1000-14-12	314-1000-16-12	314-1000-18-12	314-1000-20-12
	14'	314-1000-8-14	314-1000-10-14	314-1000-12-14	314-1000-14-14	314-1000-16-14	314-1000-18-14	314-1000-20-14
	16'	314-1000-8-16	314-1000-10-16	314-1000-12-16	314-1000-14-16	314-1000-16-16	314-1000-18-16	314-1000-20-16
	18'	314-1000-8-18	314-1000-10-18	314-1000-12-18	314-1000-14-18	314-1000-16-18	314-1000-18-18	314-1000-20-18
	20'	314-1000-8-20	314-1000-10-20	314-1000-12-20	314-1000-14-20	314-1000-16-20	314-1000-18-20	314-1000-20-20
1 TON	10'	314-2000-8-10	314-2000-10-10	314-2000-12-10	314-2000-14-10	314-2000-16-10	314-2000-18-10	314-2000-20-10
	12'	314-2000-8-12	314-2000-10-12	314-2000-12-12	314-2000-14-12	314-2000-16-12	314-2000-18-12	314-2000-20-12
	14'	314-2000-8-14	314-2000-10-14	314-2000-12-14	314-2000-14-14	314-2000-16-14	314-2000-18-14	314-2000-20-14
	16'	314-2000-8-16	314-2000-10-16	314-2000-12-16	314-2000-14-16	314-2000-16-16	314-2000-18-16	314-2000-20-16
	18'	314-2000-8-18	314-2000-10-18	314-2000-12-18	314-2000-14-18	314-2000-16-18	314-2000-18-18	314-2000-20-18
	20'	314-2000-8-20	314-2000-10-20	314-2000-12-20	314-2000-14-20	314-2000-16-20	314-2000-18-20	314-2000-20-20
2 TON	10'	314-4000-8-10	314-4000-10-10	314-4000-12-10	314-4000-14-10	314-4000-16-10	314-4000-18-10	314-4000-20-10
	12'	314-4000-8-12	314-4000-10-12	314-4000-12-12	314-4000-14-12	314-4000-16-12	314-4000-18-12	314-4000-20-12
	14'	314-4000-8-14	314-4000-10-14	314-4000-12-14	314-4000-14-14	314-4000-16-14	314-4000-18-14	314-4000-20-14
	16'	314-4000-8-16	314-4000-10-16	314-4000-12-16	314-4000-14-16	314-4000-16-16	314-4000-18-16	314-4000-20-16
	18'	314-4000-8-18	314-4000-10-18	314-4000-12-18	314-4000-14-18	314-4000-16-18	314-4000-18-18	314-4000-20-18
	20'	314-4000-8-20	314-4000-10-20	314-4000-12-20	314-4000-14-20	314-4000-16-20	314-4000-18-20	314-4000-20-20
3 TON	10'	314-6000-8-10	314-6000-10-10	314-6000-12-10	314-6000-14-10	314-6000-16-10	314-6000-18-10	314-6000-20-10
	12'	314-6000-8-12	314-6000-10-12	314-6000-12-12	314-6000-14-12	314-6000-16-12	314-6000-18-12	314-6000-20-12
	14'	314-6000-8-14	314-6000-10-14	314-6000-12-14	314-6000-14-14	314-6000-16-14	314-6000-18-14	314-6000-20-14
	16'	314-6000-8-16	314-6000-10-16	314-6000-12-16	314-6000-14-16	314-6000-16-16	314-6000-18-16	314-6000-20-16
	18'	314-6000-8-18	314-6000-10-18	314-6000-12-18	314-6000-14-18	314-6000-16-18	314-6000-18-18	314-6000-20-18
	20'	314-6000-8-20	314-6000-10-20	314-6000-12-20	314-6000-14-20	314-6000-16-20	314-6000-18-20	314-6000-20-20
5 TON	10'	314-10000-8-10	314-10000-10-10	314-10000-12-10	314-10000-14-10	314-10000-16-10	314-10000-18-10	314-10000-20-10
	12'	314-10000-8-12	314-10000-10-12	314-10000-12-12	314-10000-14-12	314-10000-16-12	314-10000-18-12	314-10000-20-12
	14'	314-10000-8-14	314-10000-10-14	314-10000-12-14	314-10000-14-14	314-10000-16-14	314-10000-18-14	314-10000-20-14
	16'	314-10000-8-16	314-10000-10-16	314-10000-12-16	314-10000-14-16	314-10000-16-16	314-10000-18-16	314-10000-20-16
	18'	314-10000-8-18	314-10000-10-18	314-10000-12-18	314-10000-14-18	314-10000-16-18	314-10000-18-18	314-10000-20-18
	20'	314-10000-8-20	314-10000-10-20	314-10000-12-20	314-10000-14-20	314-10000-16-20	314-10000-18-20	314-10000-20-20

*For other models, capacities, spans, heights consult Customer Service.
 Dimensions are subject to change without notice.
 Specify Capacity and Span with Model Number when ordering.

Portable Rigid Gantry Cranes

- Convenient economical solution when portability is required
- Great solution when pouring a foundation is not possible
- Fixed style
- Aluminum or Steel construction
- Fixed height gantry legs are typically made with heavy wall steel pipe
- Continuous channel bases standard for greater stability and less flex



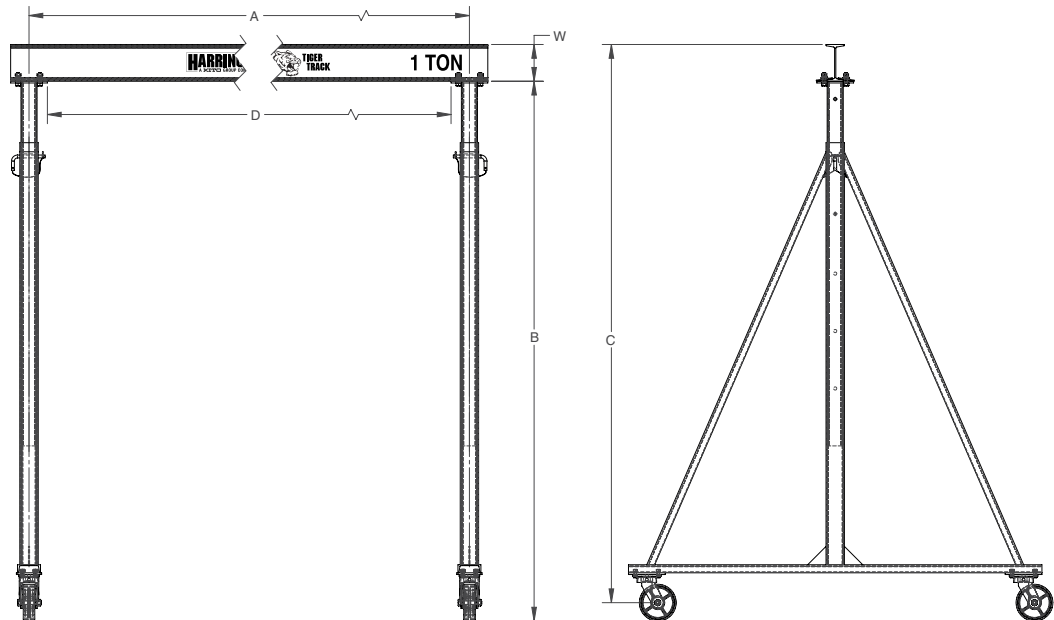
PORTABLE RIGID GANTRY CRANES

Capacity	A Span	Model Number	B HUB	C OAH	D Clear Span	W I-Beam Depth	
1 TON	8'	511-2000-8-10	10'	10'-8"	7'-0"	8"	
		511-2000-8-12	12'	12'-8"	7'-0"	8"	
		511-2000-8-15	15'	15'-8"	7'-0"	8"	
	10'	511-2000-10-10	10'	10'-8"	9'-0"	8"	
		511-2000-10-12	12'	12'-8"	9'-0"	8"	
		511-2000-10-15	15'	15'-8"	9'-0"	8"	
	12'	511-2000-12-10	10'	10'-8"	11'-0"	8"	
		511-2000-12-12	12'	12'-8"	11'-0"	8"	
		511-2000-12-15	15'	15'-8"	11'-0"	8"	
	15'	511-2000-15-10	10'	10'-8"	14'-0"	8"	
		511-2000-15-12	12'	12'-8"	14'-0"	8"	
		511-2000-15-15	15'	15'-8"	14'-0"	8"	
	20'	511-2000-20-10	10'	10'-10"	19'-0"	10"	
		511-2000-20-12	12'	12'-10"	19'-0"	10"	
		511-2000-20-15	15'	15'-10"	19'-0"	10"	
	25'	511-2000-25-10	10'	11'-0"	23'-6"	12"	
		511-2000-25-12	12'	13'-0"	23'-6"	12"	
		511-2000-25-15	15'	16'-0"	23'-6"	12"	
	2 TON	8'	511-4000-8-10	10'	10'-8"	7'-0"	8"
			511-4000-8-12	12'	12'-8"	7'-0"	8"
			511-4000-8-15	15'	15'-8"	7'-0"	8"
10'		511-4000-10-10	10'	10'-8"	9'-0"	8"	
		511-4000-10-12	12'	12'-8"	9'-0"	8"	
		511-4000-10-15	15'	15'-8"	9'-0"	8"	
12'		511-4000-12-10	10'	10'-8"	11'-0"	8"	
		511-4000-12-12	12'	12'-8"	11'-0"	8"	
		511-4000-12-15	15'	15'-8"	11'-0"	8"	
15'		511-4000-15-10	10'	10'-10"	14'-0"	10"	
		511-4000-15-12	12'	12'-10"	14'-0"	10"	
		511-4000-15-15	15'	15'-10"	14'-0"	10"	
20'		511-4000-20-10	10'	11'-0"	18'-6"	12"	
		511-4000-20-12	12'	13'-0"	18'-6"	12"	
		511-4000-20-15	15'	16'-0"	18'-6"	12"	
25'		511-4000-25-10	10'	11'-0"	23'-6"	12"	
		511-4000-25-12	12'	13'-0"	23'-6"	12"	
		511-4000-25-15	15'	16'-0"	23'-6"	12"	
3 TON		8'	511-6000-8-10	10'	10'-10"	6'-6"	10"
			511-6000-8-12	12'	12'-10"	6'-6"	10"
			511-6000-8-15	15'	15'-10"	6'-6"	10"
	10'	511-6000-10-10	10'	10'-10"	8'-6"	10"	
		511-6000-10-12	12'	12'-10"	8'-6"	10"	
		511-6000-10-15	15'	15'-10"	8'-6"	10"	
	12'	511-6000-12-10	10'	10'-10"	10'-6"	10"	
		511-6000-12-12	12'	12'-10"	10'-6"	10"	
		511-6000-12-15	15'	15'-10"	10'-6"	10"	
	15'	511-6000-15-10	10'	11'-0"	13'-6"	12"	
		511-6000-15-12	12'	13'-0"	13'-6"	12"	
		511-6000-15-15	15'	16'-0"	13'-6"	12"	
	20'	511-6000-20-10	10'	11'-2"	18'-0"	14"	
		511-6000-20-12	12'	13'-2"	18'-0"	14"	
		511-6000-20-15	15'	16'-2"	18'-0"	14"	
	25'	511-6000-25-10	10'	11'-2"	23'-0"	14"	
		511-6000-25-12	12'	13'-2"	23'-0"	14"	
		511-6000-25-15	15'	16'-2"	23'-0"	14"	

For other models, capacities, spans, heights consult Customer Service.
 Dimensions are based on steel construction. Consult Customer Service for aluminum dimensions.
 Dimensions are subject to change without notice.
Specify Capacity and Span with Model Number when ordering.

Portable Adjustable Gantry Cranes

- Convenient economical solution when portability is required
- Great solution when pouring a foundation is not possible
- Adjustable style
- Aluminum or Steel construction
- Adjustable height gantry legs are typically made with heavy wall square tube
- Continuous channel bases standard for greater stability and less flex
- Available with ratchet lever hoist adjustability using the LB lever hoists



PORTABLE ADJUSTABLE GANTRY CRANES

Capacity	A Span	Model Number	B HUB Min/Max	C OAH Min/Max	D Clear Span	W I-Beam Depth
1 TON	8'	512-2000-8-10	6'-5" to 10'-0"	7'-1" to 10'-8"	7'-4"	8"
		512-2000-8-12	7'-5" to 12'-0"	8'-1" to 12'-8"	7'-4"	8"
		512-2000-8-15	9'-5" to 15'-0"	10'-1" to 15'-8"	7'-4"	8"
	10'	512-2000-10-10	6'-5" to 10'-0"	7'-1" to 10'-8"	9'-4"	8"
		512-2000-10-12	7'-5" to 12'-0"	8'-1" to 12'-8"	9'-4"	8"
		512-2000-10-15	9'-5" to 15'-0"	10'-1" to 15'-8"	9'-4"	8"
	12'	512-2000-12-10	6'-5" to 10'-0"	7'-1" to 10'-8"	11'-4"	8"
		512-2000-12-12	7'-5" to 12'-0"	8'-1" to 12'-8"	11'-4"	8"
		512-2000-12-15	9'-5" to 15'-0"	10'-1" to 15'-8"	11'-4"	8"
	15'	512-2000-15-10	6'-5" to 10'-0"	7'-1" to 10'-8"	14'-4"	8"
		512-2000-15-12	7'-5" to 12'-0"	8'-1" to 12'-8"	14'-4"	8"
		512-2000-15-15	9'-5" to 15'-0"	10'-1" to 15'-8"	14'-4"	8"
	20'	512-2000-20-10	6'-5" to 10'-0"	7'-3" to 10'-10"	19'-3"	10"
		512-2000-20-12	7'-5" to 12'-0"	8'-3" to 12'-10"	19'-3"	10"
		512-2000-20-15	9'-5" to 15'-0"	10'-3" to 15'-10"	19'-3"	10"
25'	512-2000-25-10	6'-5" to 10'-0"	7'-5" to 11'-0"	24'-0"	12"	
	512-2000-25-12	7'-5" to 12'-0"	8'-5" to 13'-0"	24'-0"	12"	
	512-2000-25-15	9'-5" to 15'-0"	10'-5" to 15'-8"	24'-0"	12"	
2 TON	8'	512-4000-8-10	6'-9" to 10'-0"	7'-5" to 11'-0"	7'-4"	8"
		512-4000-8-12	7'-9" to 12'-0"	8'-5" to 13'-0"	7'-4"	8"
		512-4000-8-15	9'-9" to 15'-0"	10'-5" to 15'-8"	7'-4"	8"
	10'	512-4000-10-10	6'-9" to 10'-0"	7'-5" to 11'-0"	9'-4"	8"
		512-4000-10-12	7'-9" to 12'-0"	8'-5" to 13'-0"	9'-4"	8"
		512-4000-10-15	9'-9" to 15'-0"	10'-5" to 15'-8"	9'-4"	8"
	12'	512-4000-12-10	6'-9" to 10'-0"	7'-5" to 11'-0"	11'-4"	8"
		512-4000-12-12	7'-9" to 12'-0"	8'-5" to 13'-0"	11'-4"	8"
		512-4000-12-15	9'-9" to 15'-0"	10'-5" to 15'-8"	11'-4"	8"
	15'	512-4000-15-10	6'-9" to 10'-0"	7'-7" to 10'-10"	14'-3"	10"
		512-4000-15-12	7'-9" to 12'-0"	8'-7" to 12'-10"	14'-3"	10"
		512-4000-15-15	9'-9" to 15'-0"	10'-7" to 15'-10"	14'-3"	10"
	20'	512-4000-20-10	6'-9" to 10'-0"	7'-9" to 11'-0"	19'-0"	12"
		512-4000-20-12	7'-9" to 12'-0"	8'-9" to 13'-0"	19'-0"	12"
		512-4000-20-15	9'-9" to 15'-0"	10'-9" to 16'-0"	19'-0"	12"
25'	512-4000-25-10	6'-9" to 10'-0"	7'-9" to 11'-0"	24'-0"	12"	
	512-4000-25-12	7'-9" to 12'-0"	8'-9" to 13'-0"	24'-0"	12"	
	512-4000-25-15	9'-9" to 15'-0"	10'-9" to 16'-0"	24'-0"	12"	
3 TON	8'	512-6000-8-10	6'-11" to 10'-0"	7'-9" to 10'-10"	6'-6"	10"
		512-6000-8-12	7'-11" to 12'-0"	8'-9" to 12'-10"	6'-6"	10"
		512-6000-8-15	9'-11" to 15'-0"	10'-9" to 15'-10"	6'-6"	10"
	10'	512-6000-10-10	6'-11" to 10'-0"	7'-9" to 10'-10"	8'-6"	10"
		512-6000-10-12	7'-11" to 12'-0"	8'-9" to 12'-10"	8'-6"	10"
		512-6000-10-15	9'-11" to 15'-0"	10'-9" to 15'-10"	8'-6"	10"
	12'	512-6000-12-10	6'-11" to 10'-0"	7'-9" to 10'-10"	10'-6"	10"
		512-6000-12-12	7'-11" to 12'-0"	8'-9" to 12'-10"	10'-6"	10"
		512-6000-12-15	9'-11" to 15'-0"	10'-9" to 15'-10"	10'-6"	10"
	15'	512-6000-15-10	6'-11" to 10'-0"	7'-11" to 11'-0"	13'-6"	12"
		512-6000-15-12	7'-11" to 12'-0"	8'-11" to 13'-0"	13'-6"	12"
		512-6000-15-15	9'-11" to 15'-0"	10'-11" to 16'-0"	13'-6"	12"
	20'	512-6000-20-10	6'-11" to 10'-0"	8'-1" to 11'-2"	18'-6"	14"
		512-6000-20-12	7'-11" to 12'-0"	9'-1" to 13'-8"	18'-6"	14"
		512-6000-20-15	9'-11" to 15'-0"	11'-1" to 16'-2"	18'-6"	14"
25'	512-6000-25-10	6'-11" to 10'-0"	8'-1" to 11'-2"	23'-6"	14"	
	512-6000-25-12	7'-11" to 12'-0"	9'-1" to 13'-8"	23'-6"	14"	
	512-6000-25-15	9'-11" to 15'-0"	11'-1" to 16'-2"	23'-6"	14"	

For other models, capacities, spans, heights consult Customer Service.
 Dimensions are based on steel construction. Consult Customer Service for aluminum dimensions.
 Dimensions are subject to change without notice.
Specify Capacity and Span with Model Number when ordering.

Compliance

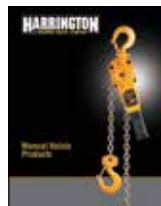
Harrington's jib and gantry cranes are produced to comply with the following:

- OSHA specification 1910.179 as they apply to jib cranes and overhead cranes.
- CMAA specification No. 74 as they apply to jib cranes and overhead cranes.
- ANSI specification B30.11 as they apply to jib cranes and overhead cranes.
- All welding is done in accordance with AWS D14.1 by certified welders
- All designs meet AISC standards as they pertain to jibs and overhead cranes.



Complete Product Offering

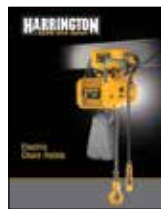
Over the years, we have continued to respond to the needs of our customers by further expanding our product offerings. In addition to the many models described in this catalog, our full series of product catalogs, as shown below, will provide you with all of the information you will need to answer questions, specify a product and place an order. For catalog copies or answers to specific product questions, please contact our Customer Service Department by calling 800-233-3010 or e-mail customerservice@harringtonhoists.com



Manual Hoist Products Catalog

Refer to this Harrington catalog for detailed information on the following:

- Lever hoists
- Hand chain hoists
- Hoist and trolley combinations
- Low headroom trolley hoists
- Push and geared trolleys
- Hoist load testers



Electric Chain Hoists Catalog

Refer to this Harrington catalog for detailed information on the following:

- Three phase electric hoists and trolleys
- Single phase electric hoists and trolleys
- Ergonomic electric hoists



Air Powered Hoists Catalog

Refer to this Harrington catalog for detailed information on the following:

- Compact Mini-Cat with pendant, cord and manipulator controls
- Air hoists with pendant and cord controls
- Air trolleys



Electric Wire Rope Hoists Catalog

Refer to this Harrington catalog for detailed information on the following:

- Ultra-low headroom trolley hoists



Complete Cranes Catalog

Refer to this Harrington catalog for detailed information on the following:

- Heavy-duty Class C single girder top running and underhung cranes
- Heavy-duty Class C double girder top running and underhung cranes
- Medium-duty top running and underhung push cranes
- Crane control panels

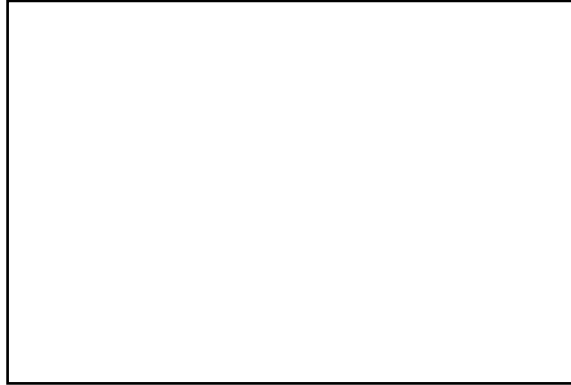


Crane Components Catalog

Refer to this Harrington catalog for detailed information on the following:

- End trucks-top running-motorized, geared and push
- End trucks-underhung-motorized, geared and push
- Double girder MAX-E-Lift end trucks
- Convertible push end trucks
- Beam accessory kits

**CONTACT YOUR NEARBY
HARRINGTON DISTRIBUTOR**



Warranty

All products sold by Harrington Hoists, Inc. are warranted to be free from defects in material and workmanship from date of shipment by Harrington for the following periods:

- 1 year – Electric and Air Powered Hoists (excluding (N)ER2 Hoists and EQ/SEQ Hoists), Powered Trolleys, Powered Tiger Track Jibs and Gantries, Crane Components, Below the Hook Devices, Spare/Replacement Parts
- 2 years – Manual Hoists & Trolleys, Beam Clamps
- 3 years – (N)ER2 Hoists, EQ/SEQ Hoists, (T)EM/(T)SEM hoists, and RY Hoists
- 5 years – Manual Tiger Track Jibs and Gantries, Hoist Motor Brakes for TNER, EQ/SEQ, (T)EM/(T)SEM, and RY
- 10 years – (N)ER2 Brake, Tiger Track Workstation Cranes, and Monorails

The product must be used in accordance with manufacturer's recommendations and must not have been subject to abuse, lack of maintenance, misuse, negligence, or unauthorized repairs or alterations.

Should any defect in material or workmanship occur during the above time period in any product, as determined by Harrington Hoist's inspection of the product, Harrington Hoists, Inc. agrees, at its discretion, either to replace (not including installation) or repair the part or product free of charge and deliver said item F.O.B. Harrington Hoists, Inc. place of business to customer.

Customer must obtain a Return Goods Authorization as directed by Harrington or Harrington's published repair center prior to shipping product for warranty evaluation. An explanation of the complaint must accompany the product. Product must be returned freight prepaid. Upon repair, the product will be covered for the remainder of the original warranty period. Replacement parts installed after the original warranty period will only be eligible for replacement (not including installation) for a period of one year from the installation date. If it is determined there is no defect, or that the defect resulted from causes not within the scope of Harrington's warranty, the customer will be responsible for the costs of returning the product.

Harrington Hoists, Inc. disclaims any and all other warranties of any kind expressed or implied as to the product's merchantability or fitness for a particular application. Harrington will not be liable for death, injuries to persons or property or for incidental, contingent, special or consequential damages, loss or expense arising in connection with the use or inability whatever, regardless of whether damage, loss or expense results from any act or failure to act by Harrington, whether negligent or willful, or from any other reason.

Harrington Hoists, Inc.
401 West End Avenue
Manheim, PA 17545



www.harringtonhoists.com

Toll Free: 800-233-3010
Phone: 717-665-2000
Fax: 717-665-2861

